

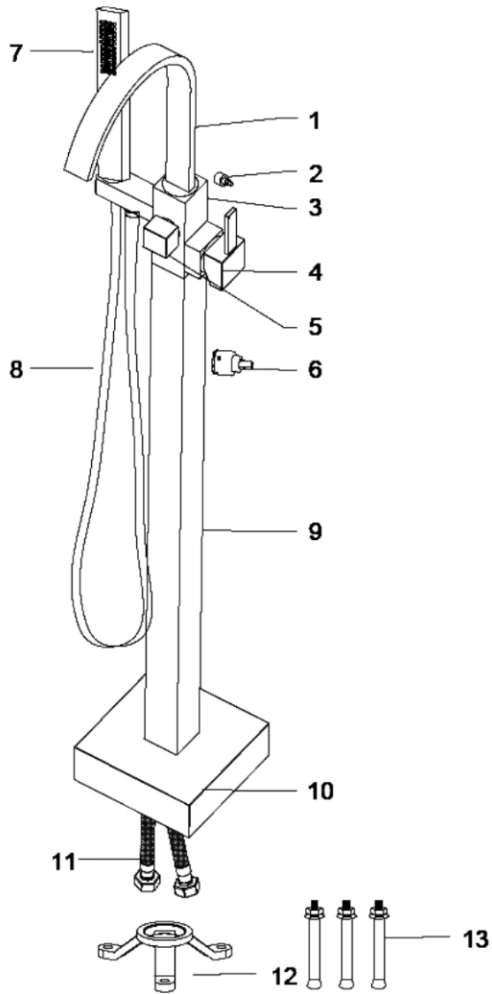


MAIDSTONE

www.MaidstoneSupply.com

Freestanding Faucet

Part No: 121-CGSF8



Accessory List

Part Name	Part No.
1、 Tub filler spout	15101
2、 Diverter cartridge	HT15F4010
3、 Assembled body	15102
4、 Zinc handle	15103
5、 Handle	15104
6、 Main caridge	WHD35-5
7、 Hand shower	8303SQ
8、 Shower hose 2*G1/2	17107.1
9、 Upper escutcheon	15105
10、 Floor escutcheon	15106
11、 Flexible hosesX2	15107
12、 Permanent Seat	15108
13、 Expansion screwX3	17107

Contact Maidstone for additional information and specifications. For complete warranty information and a list of dealers visit [www.MaidstoneSupply.com](http://www.MaidstoneSupply.com). All products and specifications are subject to change without notice. Maidstone is not responsible for typographical and/or dimensional errors. Typographical errors are subject to correction.

Note: Rough-in dimensions may vary +/- 1/2" and are subject to change. No responsibility is assumed by Maidstone.