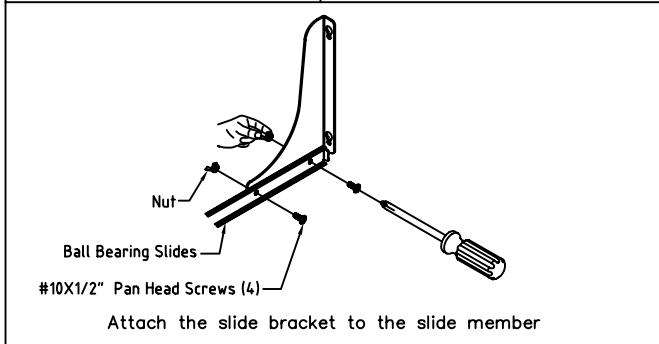
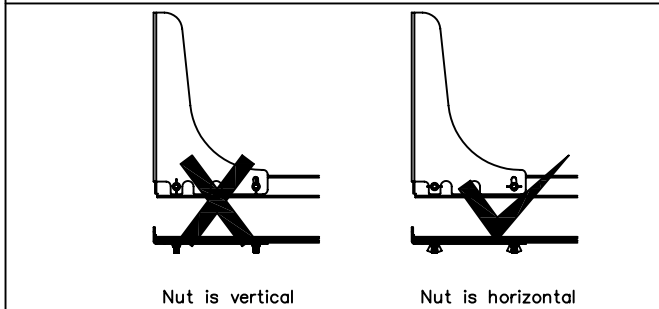
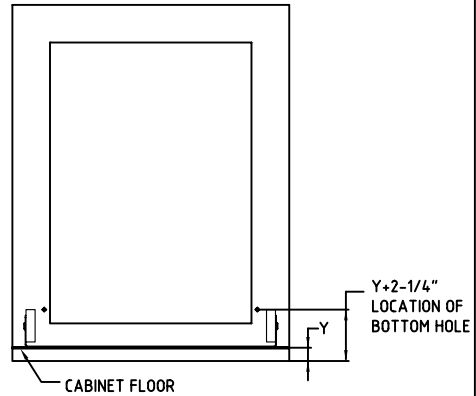


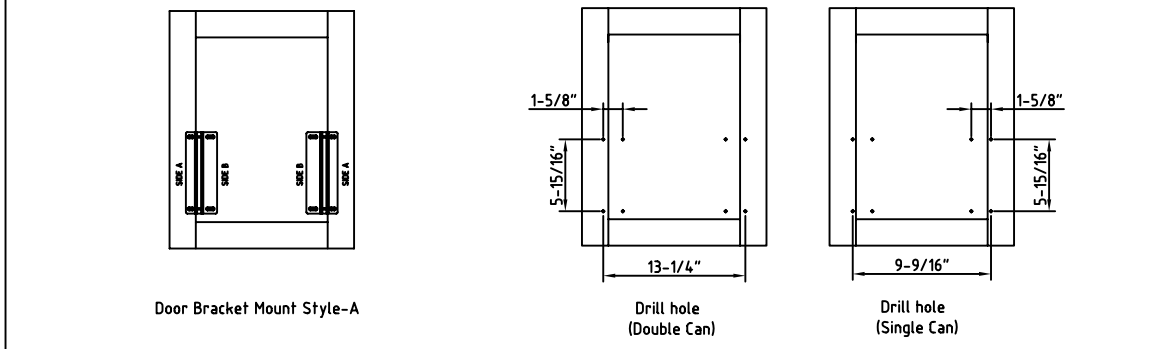
<p>L Bracket (2)</p>	<p>Door Bracket (2)</p>	<p>#10, M5X1/2" Pan Head Screws (4)</p>	<p>#8, M5X1/4" Pan Head Screws (4)</p>
		<p>#7X3/8" Wood Screws (8)</p>	<p>Nuts(4)</p>



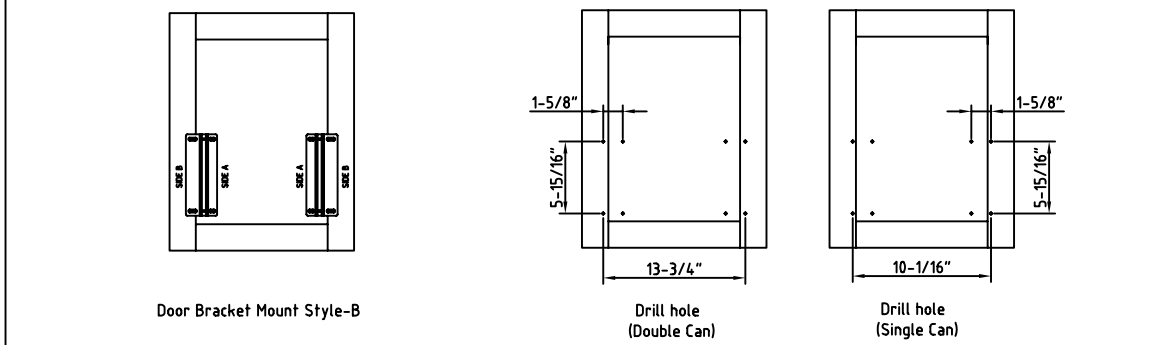
Measure the distance of the cabinet door from the bottom edge of the door to the top edge of the cabinet face frame lower rail. This dimension is "Y". Add 2-1/4" to the "Y" dimension, and this is the vertical location of the lower hole for attaching the door bracket to the back of cabinet door. Mark this location with pencil.



Using 1/16" drill bit, drill pilot holes for inserting screws.



Using 1/16" drill bit, drill pilot holes for inserting screws.



Mount Process:

