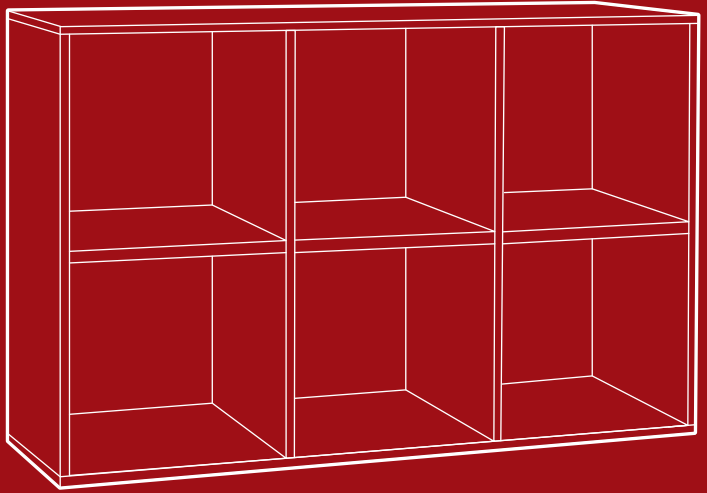




BEST CHOICE
PRODUCTS



INSTRUCTION MANUAL

13.5" 6-Cube Storage
Organizer and Bookshelf

! NOTICE

Please retain these instructions for future reference.

- Please do not exceed the weight limitations of this item.
- Do not stand on or use any part of this item as a step ladder.
- Firmly secure all bolts, screws, and knobs before use.
- Reconfirm that all bolts, screws, and knobs are secure every 90 days.
- Fasten screws loosely during initial assembly. Do not firmly tighten the screws until the item is completely assembled.
- Do not use or store this item in the proximity of open flame or flammable/combustible chemicals.
- Be aware that some parts are heavy and have sharp edges.
- If any parts are missing, broken, damaged, or worn, stop using this product until repairs are made and/or factory replacement parts are installed.
- Do not use this item in a way inconsistent with the manufacturer's instructions as this could void the product warranty.
- This product is intended for residential use only.



1 PERSON
ASSEMBLY



UP TO 30 MIN.
ASSEMBLY

TOOLS REQUIRED



PHILLIPS
SCREWDRIVER



HAMMER



POWER DRILL
(OPTIONAL)



208 LBS
TOTAL WEIGHT
CAPACITY



18 LBS
PER SHELF
CAPACITY



100 LBS
TOP SHELF
CAPACITY

HARDWARE

1

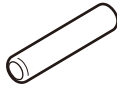
M4x40mm
SCREW



20 PCS

2

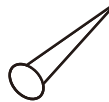
DOWEL



4 PCS

3

NAIL



16 PCS

4

CAP



20 PCS

MOUNTING HARDWARE

5

MOUNTING
STRAP



2 PCS

6

MOUNTING
SCREW



2 PCS

7

WALL
ANCHOR



2 PCS

8

WASHER



2 PCS

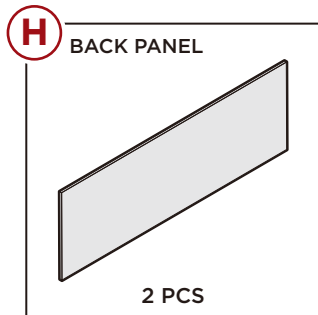
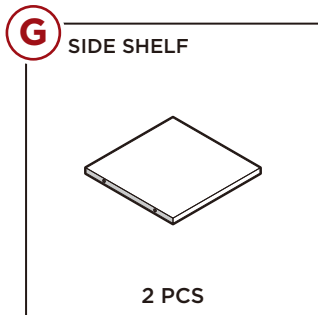
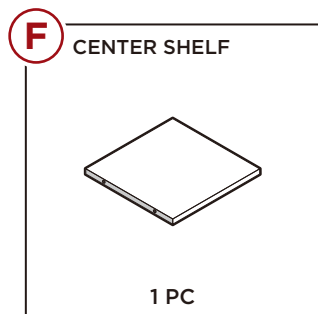
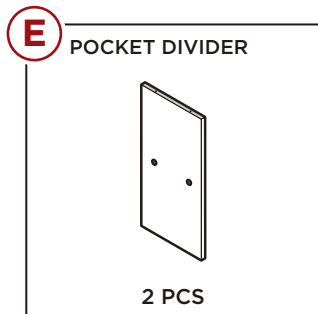
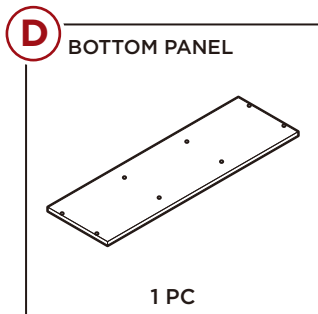
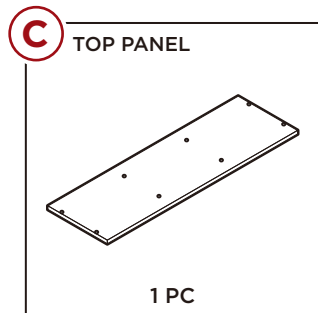
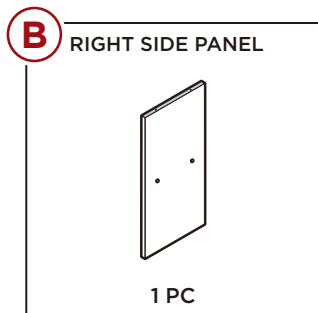
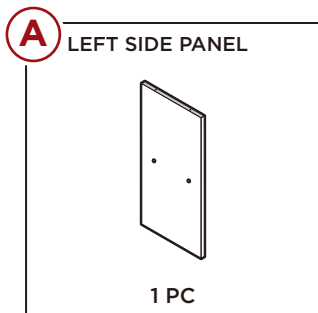
9

SCREW



2 PCS

PARTS

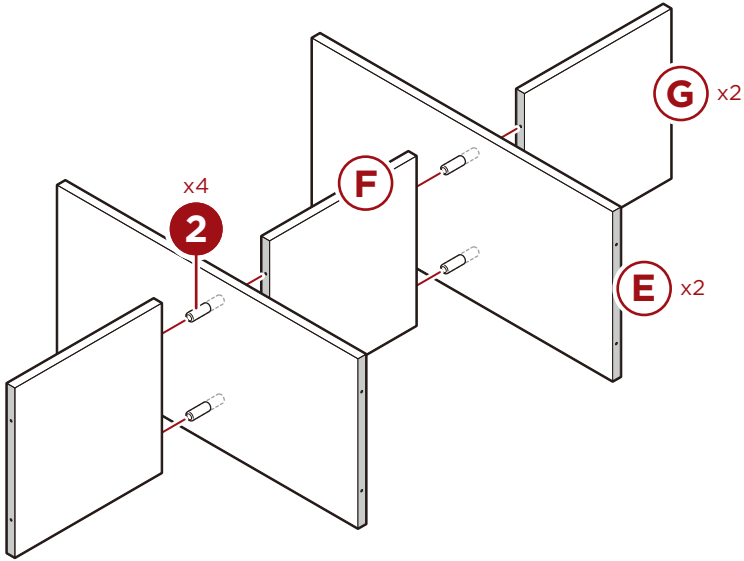


PRODUCT ASSEMBLY

1

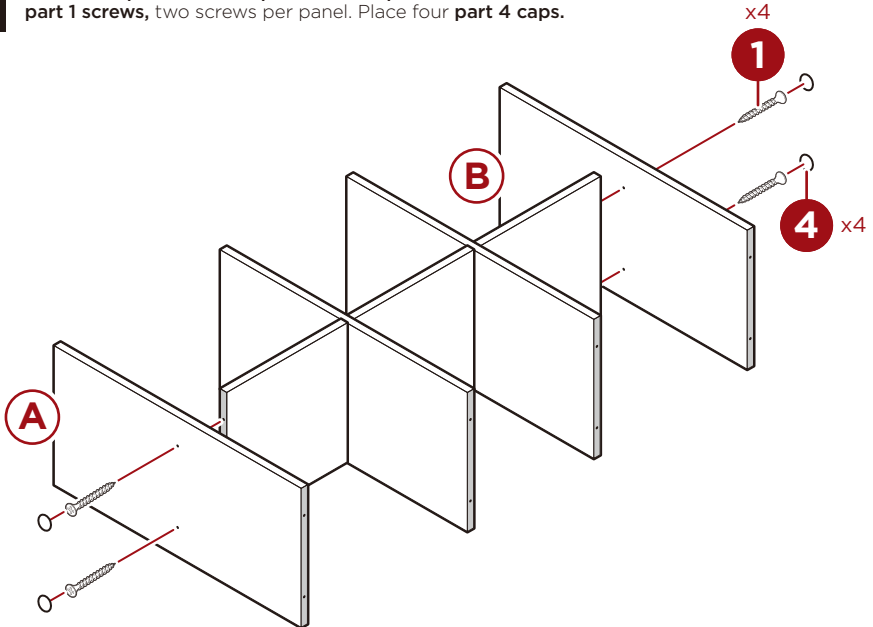
Insert four **part 2 dowels** into two **part E pocket dividers**, two dowels per divider. Attach the **part F center shelf** to the two dividers, then attach two **part G side shelves**.

NOTE: This product uses edge banding to mark the "front" edge of each assembly panel.



2

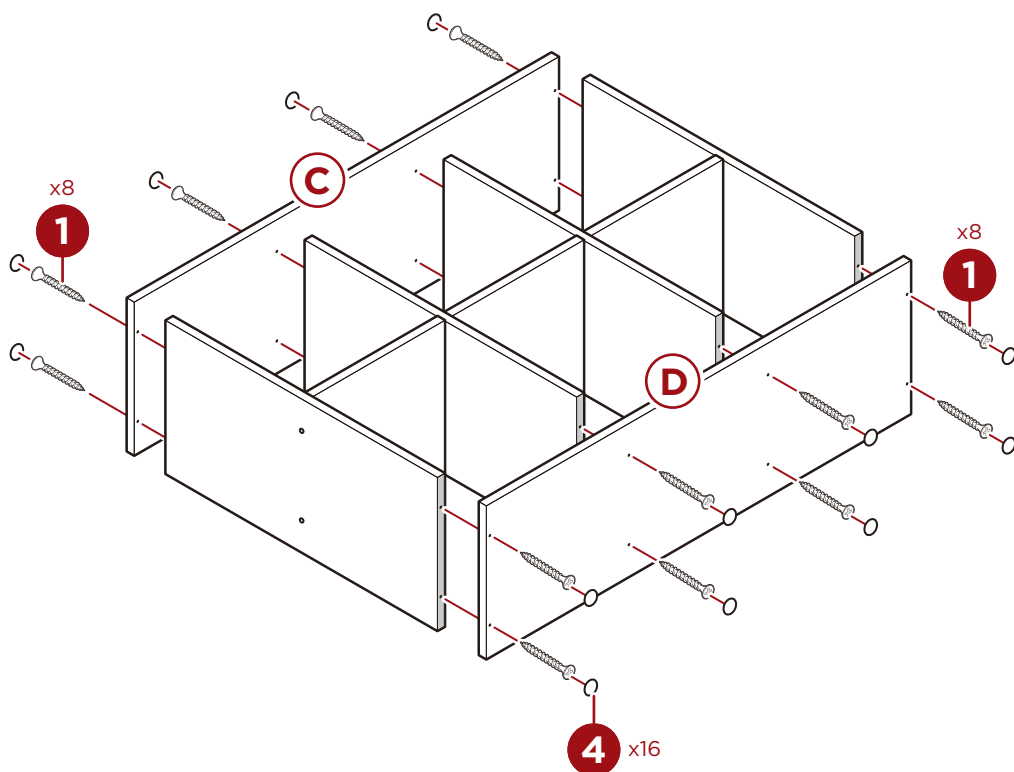
Attach the **part A&B side panels** to the **part G side shelves** with four **part 1 screws**, two screws per panel. Place four **part 4 caps**.



PRODUCT ASSEMBLY

3

Attach one the **part C top panel** to the **part A, B, and E panels** with eight **part 1 screws**. Repeat to attach the **part D bottom panel**. Place sixteen **part 4 caps**.

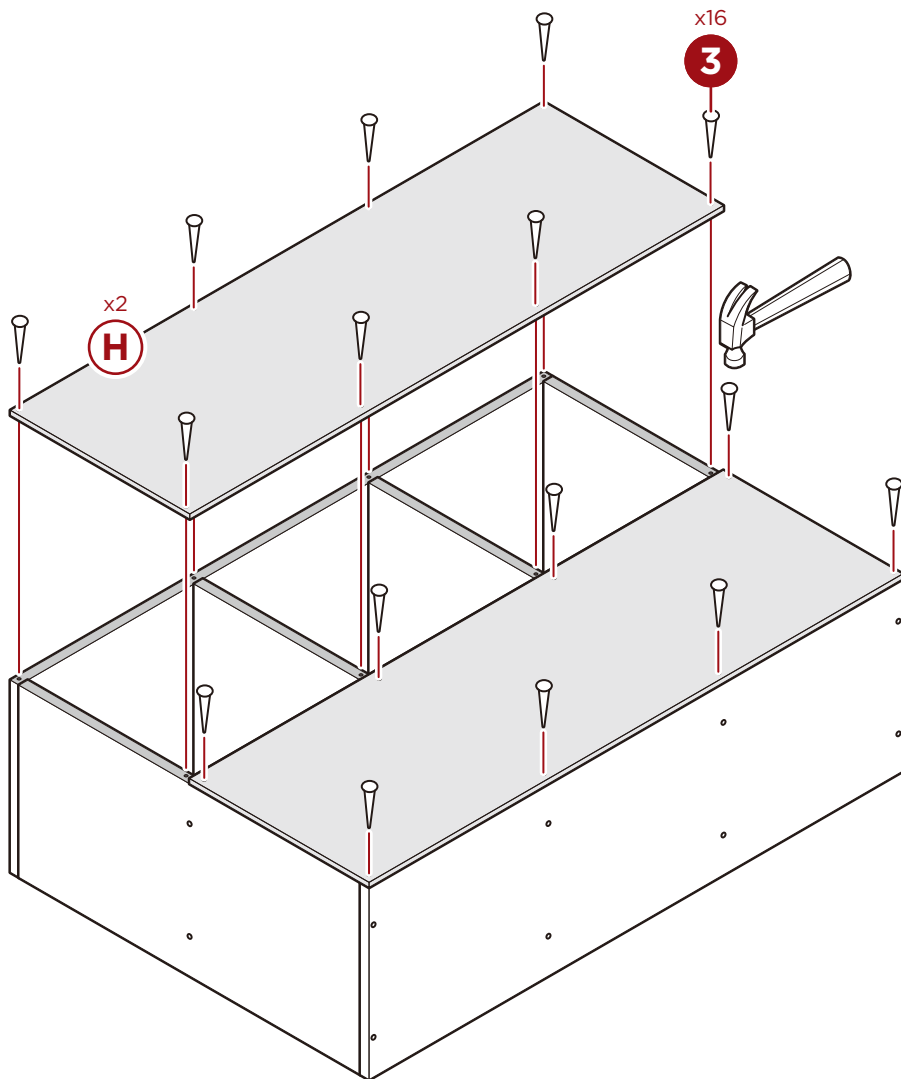


PRODUCT ASSEMBLY

4

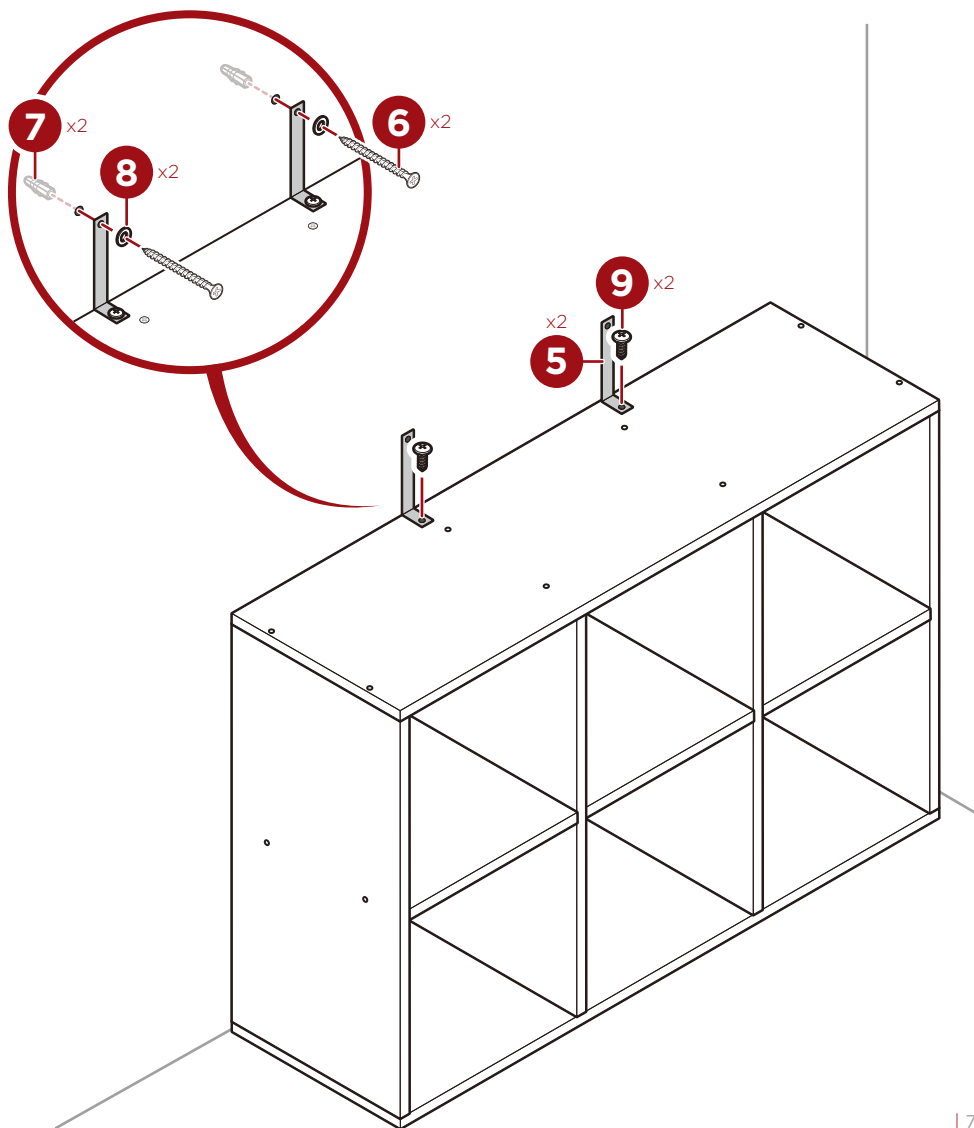
Flip the assembly on its front side, then use a hammer to attach two **part H back panels** with sixteen **part 3 nails**.

NOTE: The edge banding should face down, exposing the back end of the product.



WALL MOUNTING (OPTIONAL)

1. Attach two **part 5 mounting straps** to the "back" side of **part C top shelf** with two **part 9 screws**.
NOTE: The straps come with pilot holes in either end, mount the hardware through these holes.
 2. Place the assembled product in its intended space, abutting a wall. Stretch the straps to sit flat against the wall, then use a pencil to mark the wall, use the strap's pilot hole as a guide.
 3. Use a power drill to make two pilot holes in the wall then insert two **part 7 wall anchors**.
 4. Align the mounting straps with the wall anchors, then secure the strap with two **part 8 washers**, and two **part 6 mounting screws**.
- NOTE:** You may need to use different wall anchors/screws depending on your wall material.





HELP CENTER



Question about your product? We're here to help. Visit us at:

help.bestchoiceproducts.com



Chat Support



Product Inquiry



Orders FAQ



Product Assembly



Returns & Refunds

PRODUCT WARRANTY INFORMATION

All items can be returned for any reason within 60 days of the receipt and will receive a full refund as long as the item is returned in its original product packaging and all accessories from its original shipment are included. All returned items will receive a full refund back to the original payment method. All returned items will not be charged a re-stocking fee.

All returned items require an RA (Return Authorization) number, which can only be provided by a Best Choice Products Customer Service Representative when the return request is submitted. Items received without an RA may not be accepted or may increase your return processing time. Once an item has been received by Best Choice Products, refunds or replacements will be processed within 5 business days.

All returns must be shipped back to the Best Choice Products Return Center at the customer's expense. If the reason for return is a result of an error by Best Choice Products then Best Choice Products will provide a pre-paid shipping label via email. Boxes for return shipping will not be provided by Best Choice Products, and is the customer's responsibility to either use the original shipping boxes or purchase new boxes.

Pictures may be required for some returns to ensure an item is not damaged prior to its return. Items returned are not considered undamaged until they are received by Best Choice Products and verified as such. All damages to items are the customer's responsibility until the item has been received by and acknowledge by Best Choice Products as undamaged.



WARNING

Manufacturer and seller expressly disclaim any and all liability for personal injury, property damage or loss, whether direct, indirect, or incidental, resulting from the incorrect attachment, improper use, inadequate maintenance, unapproved modification, or neglect of this product.