

4 3 2 1

D

C

B

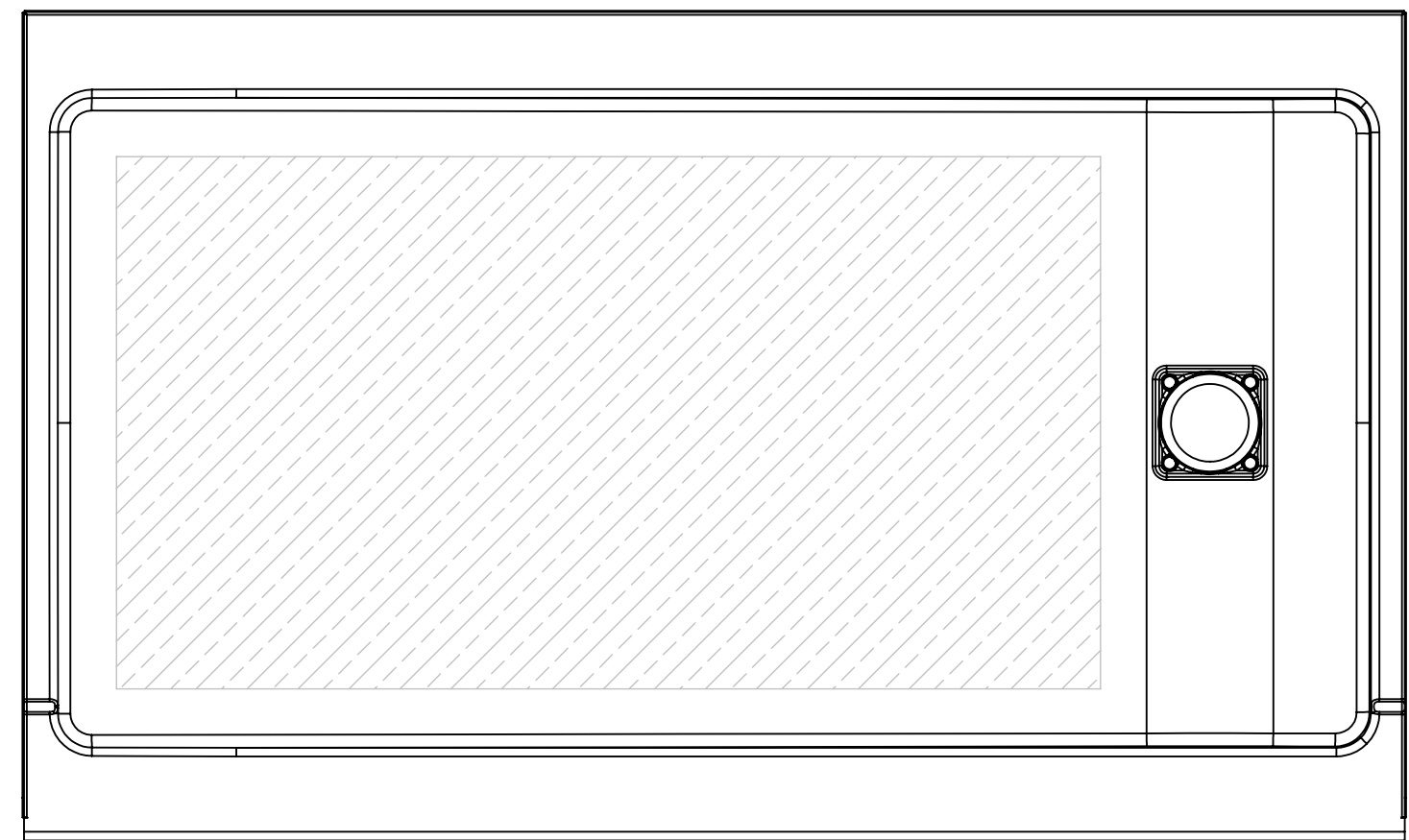
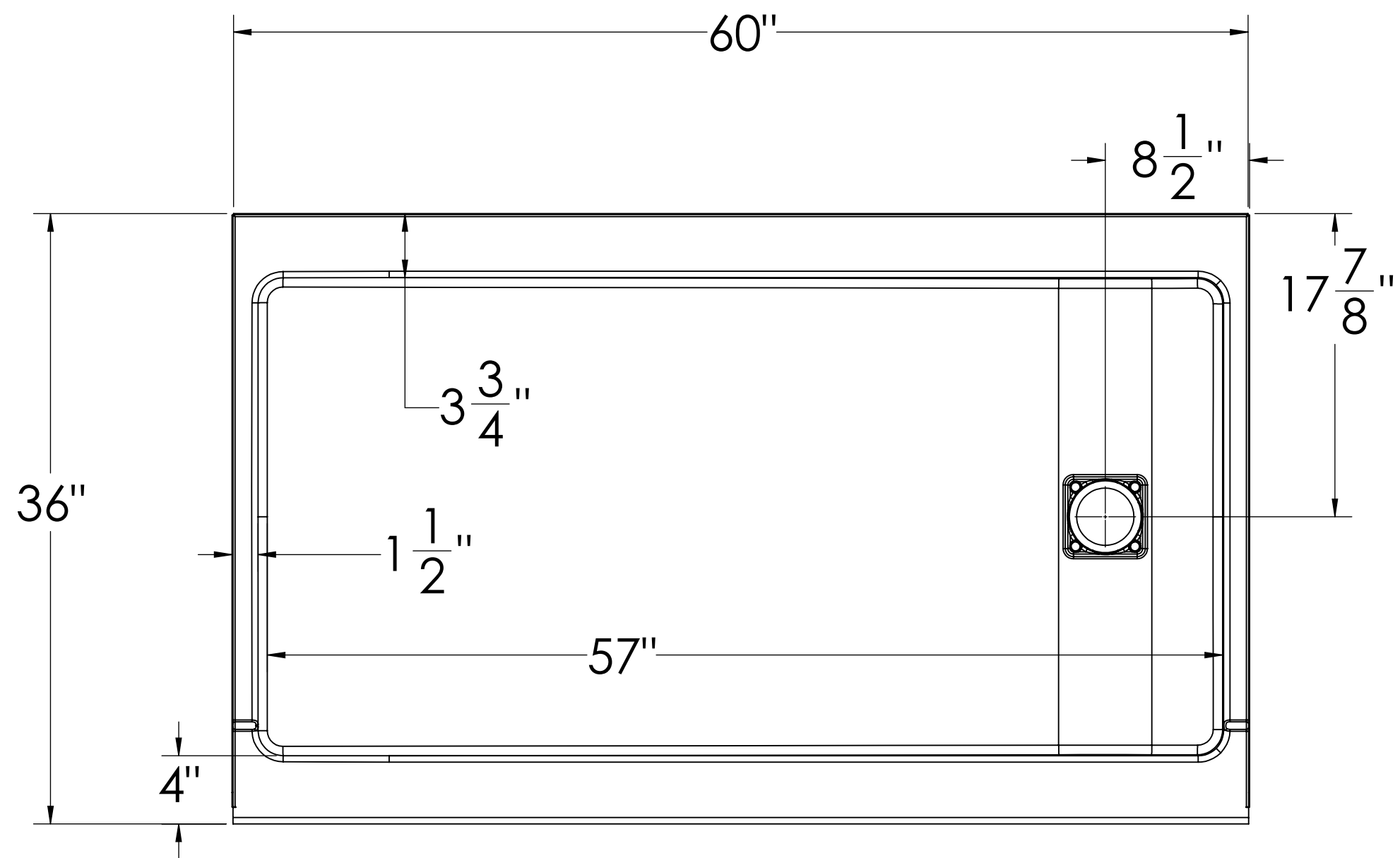
A

D

C

B

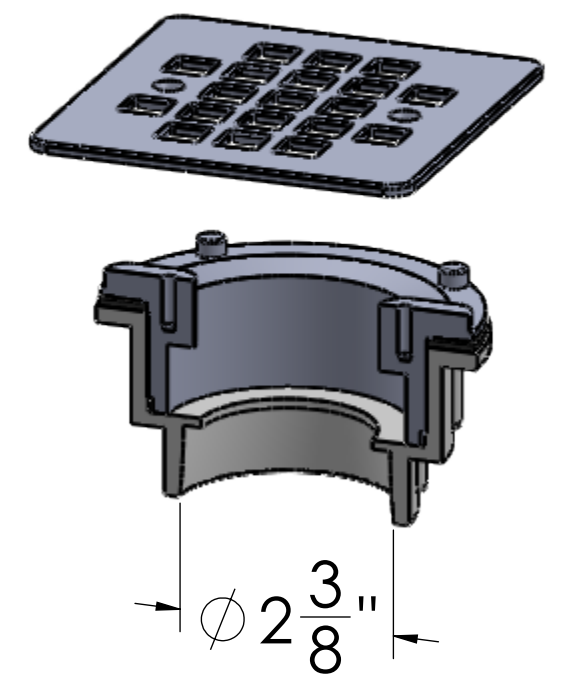
A



**Shaded area represents anti-slip coverage**



**Square Drain Model  
Include Drain Kit and  
Cover Plate**



**• All Dimentions are approximate. Measurements should be verified against the unit to ensure proper fit**

4

3

2

1