

Installation Instructions

Freestanding Bath

Record your model number:
Noter le numéro de modèle:
Anoté su número de modelo: _____

Français, page 11
Español, página 20

KOHLER®

Thank You for Choosing KOHLER

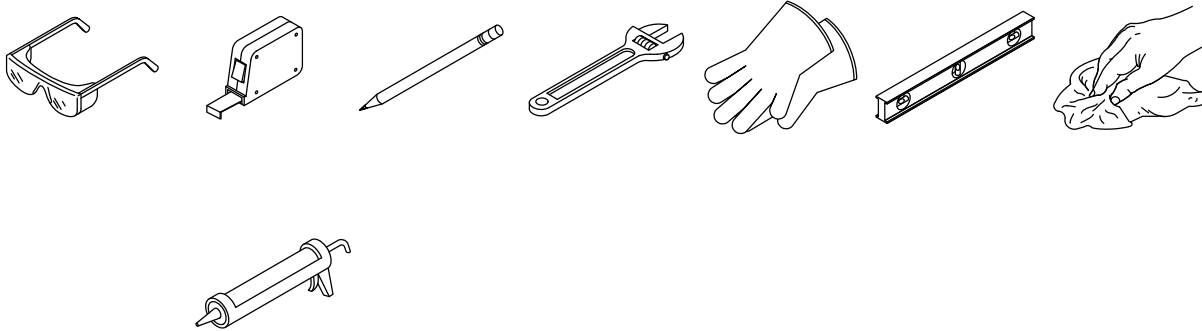
Need help? Contact our Customer Care Center.

- USA/Canada: 1-800-4KOHLER (1-800-456-4537) Mexico: 001-800-456-4537
- Service parts: kohler.com/serviceparts
- Care and cleaning: kohler.com/clean
- Patents: kohlercompany.com/patents

Warranty

This product is covered under the KOHLER® Enameled Cast Iron Bath and Shower Base Lifetime Limited Warranty, found at kohler.com/warranty. For a hardcopy of warranty terms, contact the Customer Care Center.

Tools and Materials




Clear or Color-Matched 100% Silicone Sealant


Plus:

- Wood Blocks
- Common plumbing tools and materials
- Lifting Straps (for bath with a shroud)

Before You Begin

 **CAUTION: Risk of personal injury.** This bath is heavy. Obtain sufficient help and use lifting straps to lift or move the bath.

 **CAUTION: Risk of product damage.** Not recommended for installation in a continuously wet environment.

 **CAUTION: Risk of product damage.** If welding is required, cover the bath's surface to prevent welding deposits from damaging the enameled surface.

IMPORTANT! The bath must be installed indoors. Outdoor installation will void the warranty.

IMPORTANT! Provide adequate floor support. Refer to the Specification Sheet for specific floor loading requirements.

IMPORTANT! To ensure a successful installation, install the bath on a level finished floor.

IMPORTANT! Drain parts are included in a small box within the carton. Locate and retain the small box before discarding the carton and packing material.

Follow all local plumbing and building codes.

Unpack and inspect the product for damage. Return the product to the carton until installation.

This bath will not easily fit through doorways. Carefully plan how to move the bath into the installation area.

Install the bath to an adequately supported, level finished floor.

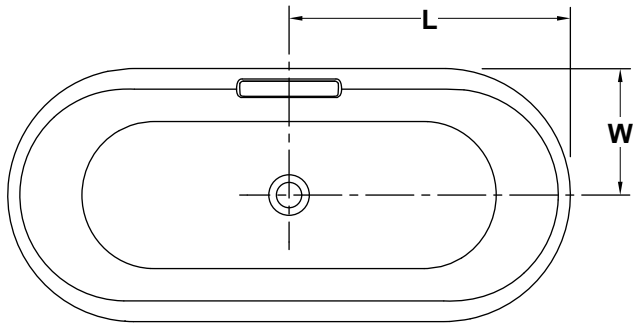
Install this bath in a freestanding installation, with either a shroud or pedestal base. Follow the instructions that pertain to your chosen installation.

This bath includes a drain without drain trim.

To simplify future maintenance, provide access to plumbing connections.

This bath conforms to ASME A112.19.1/CSA B45.2. All dimensions are nominal.

1. Prepare the Site



Drain Location

Bath Model	"L" Dimension	"W" Dimension
K-29325	31-1/2" (800 mm)	14-3/16" (360 mm)
K-29326	31-1/2" (800 mm)	14-3/16" (360 mm)
K-29327	31-1/2" (800 mm)	14-3/16" (360 mm)
K-29328	31-1/2" (800 mm)	14-3/16" (360 mm)
K-29329	35-7/16" (900 mm)	15-3/16" (385 mm)
K-29330	35-7/16" (900 mm)	15-3/16" (385 mm)

NOTICE: Measure your product for site preparation. Note the **model number** on the packaging label, then visit the product page at kohler.com to reference the product Specification Sheet.

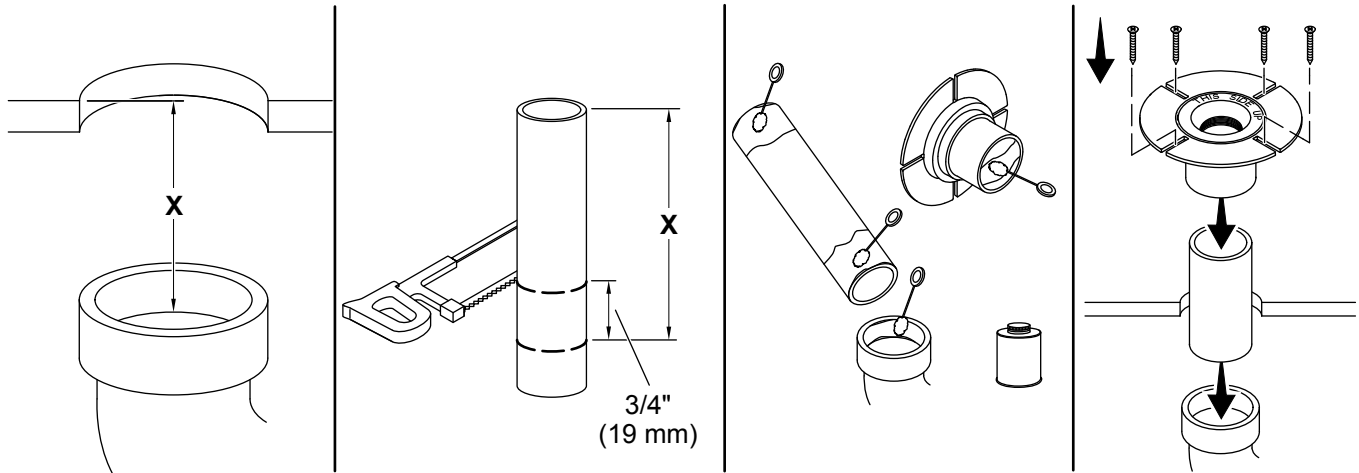
NOTE: This bath can be used with a wall-mount faucet or a freestanding faucet. Refer to the instructions packed with the faucet for proper placement of the faucet and bath.

NOTE: This bath requires a through-the-floor drain installation. Cut a drain hole in the floor to accommodate the drain connections.

NOTICE: Provide adequate floor support.

- Determine the location of the bath.
- Verify that the subfloor is level and offers adequate support for the bath.
- Verify that the finished floor is level before proceeding.

2. Install the Drain Pipe



PVC Installation (Shown)

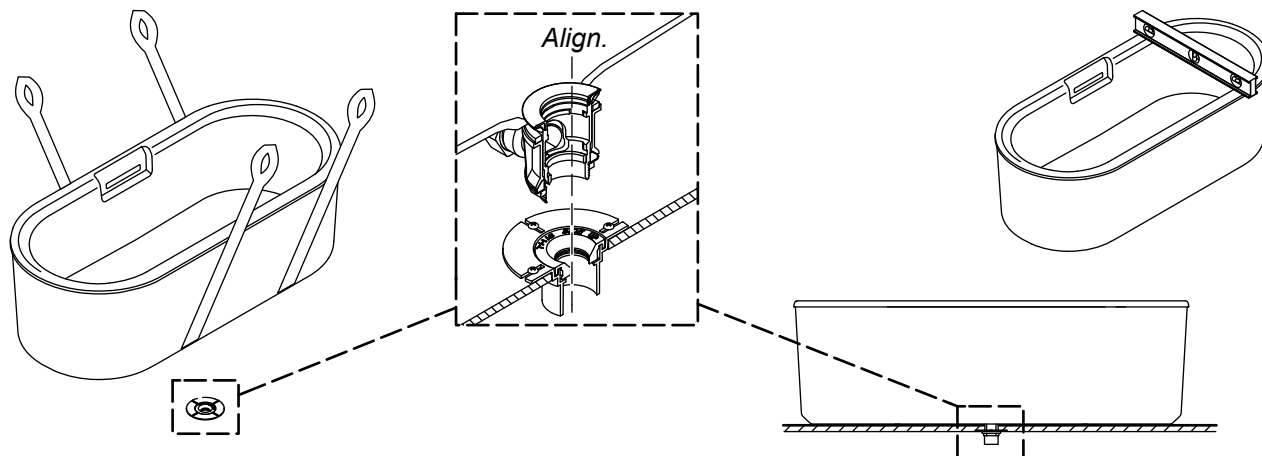
- Measure the distance "X" from the floor surface to the inside ledge of the P-trap.
- Subtract 3/4" (19 mm) from dimension "X" and cut the PVC pipe.
- Apply PVC primer and cement to the outside ends of the PVC pipe, the inside of the flange, and the inside of the P-trap.
- Connect the PVC pipe, the flange, and the P-trap.
- Secure the flange with screws on the floor.

Brass Installation

NOTE: Brass pipe installation requires Brass Floor Flange Kit K-25864-NA.

- Follow the instructions included with the brass adapter kit.

3. Install the Bath (Shroud)



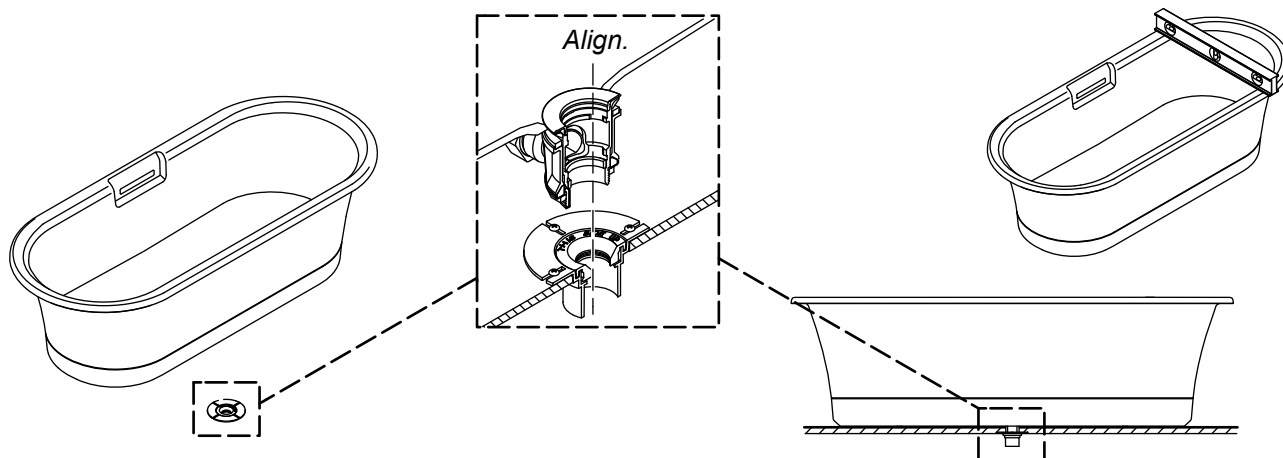
⚠ CAUTION: Risk of personal injury. This bath is heavy. Obtain sufficient help and use lifting straps to lift or move the bath.

⚠ CAUTION: Risk of product damage. Do not support the bath by the shroud. The bath must be supported by the bath feet only.

NOTE: If installing the bath with the pedestal base, proceed to the "Install the Bath (Pedestal Base)" section.

- With help, use lifting straps to carefully lift the bath into position so the bath drain is over the drain pipe.
- Verify that the bath is level. Loosen the nuts to adjust the bath feet, as needed.
- Carefully reposition the bath as needed so the bath drain is directly over the drain pipe.

4. Install the Bath (Pedestal Base)



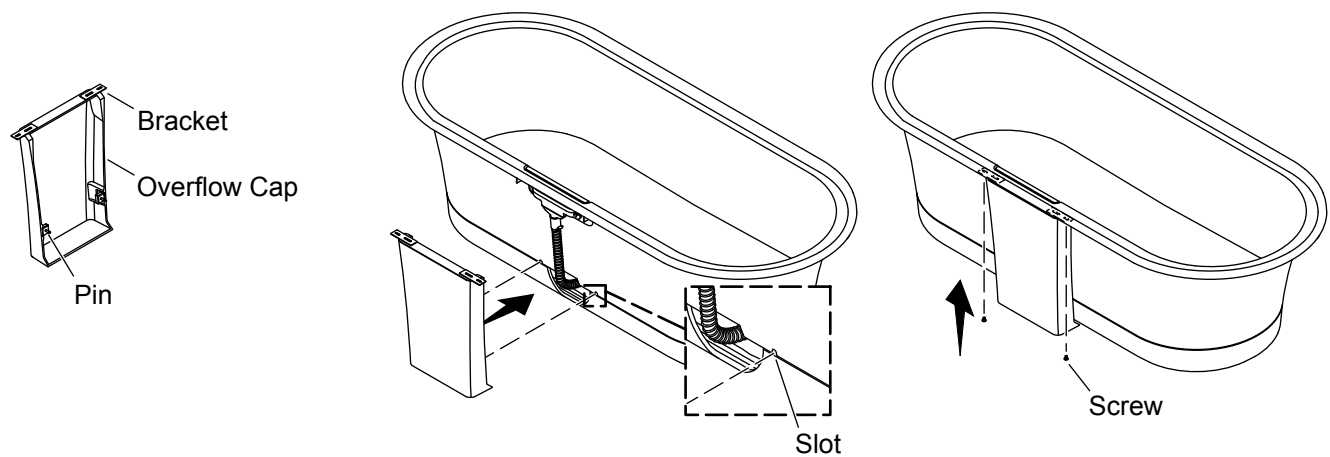
⚠ CAUTION: Risk of personal injury. This bath is heavy. Obtain sufficient help and use lifting straps to lift or move the bath.

⚠ CAUTION: Risk of product damage. Do not support the bath by the base. The bath must be supported by the bath feet only.

IMPORTANT! The overflow cap should not touch the floor when installed. Do not force the overflow cap if the cap does not slide easily into place under the rim of the bath.

- With help, carefully lift the bath into position so the bath drain is over the drain pipe.
- Verify that the bath is level. Loosen the nuts to adjust the bath feet, as needed.
- Carefully reposition the bath as needed so the bath drain is directly over the drain pipe.

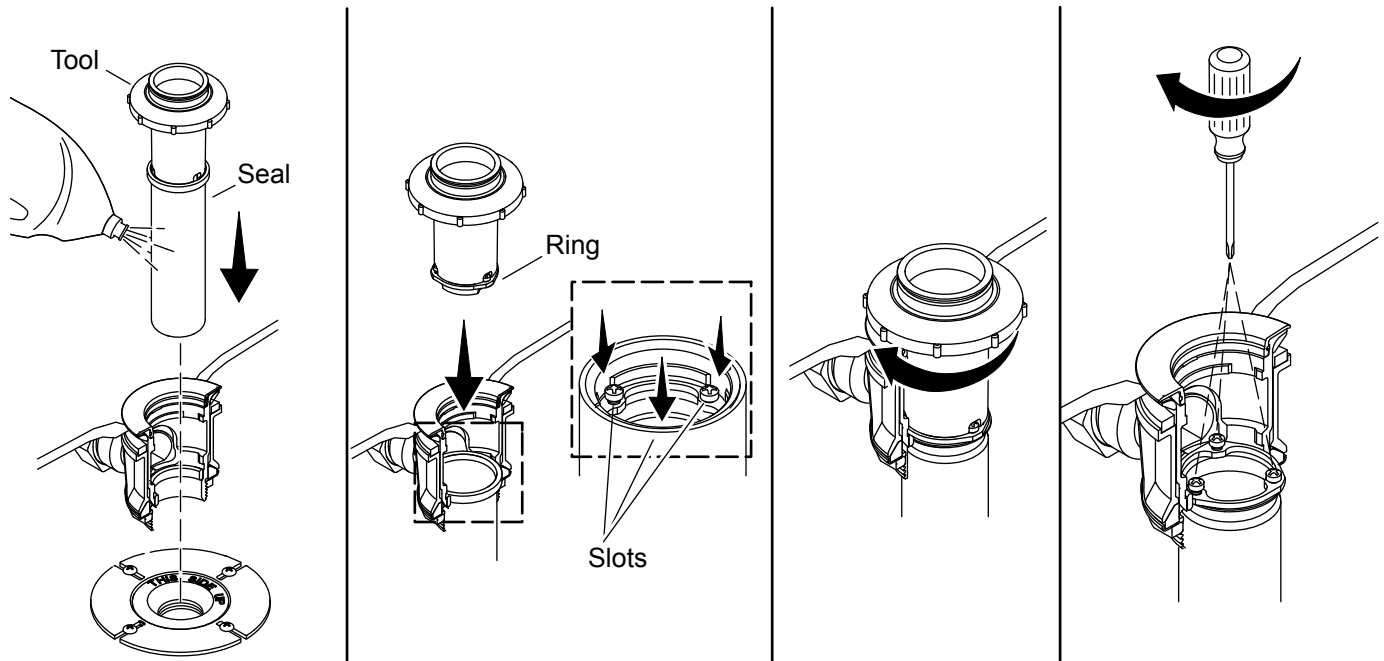
5. Install the Overflow Cap



NOTE: If the bath was installed with the shroud, proceed to the "Complete the Bath Drain Installation" section.

- Position the overflow cap over the overflow pipe by inserting the pins into the slots near the bottom of the bath.
- Position the brackets at the top of the overflow cap over the pegs on the underside of the bath rim.
- Secure the overflow cap using the brackets and screws provided.

6. Complete the Bath Drain Installation



⚠ CAUTION: Risk of property damage. The drain can leak if the seal is not properly seated in the flange. If the brass pipe must be removed after installation, do not reinstall the pipe before moving the bath to verify that the seal is properly seated in the flange.

⚠ CAUTION: Risk of property damage. Leaky drain connections will damage property. Verify that a watertight seal exists on all drain connections.

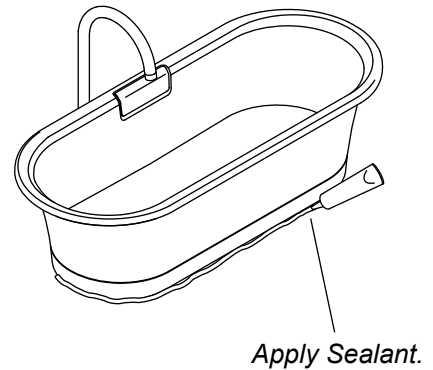
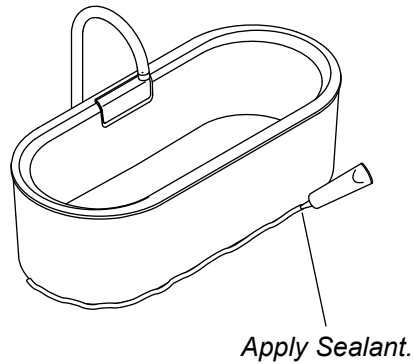
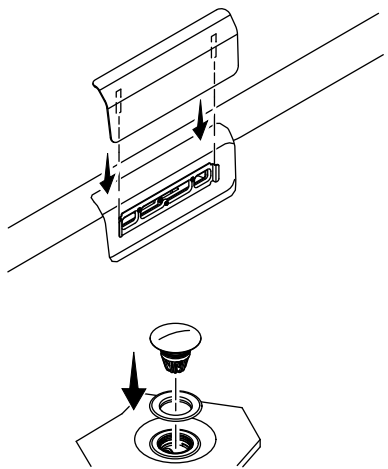
⚠ CAUTION: Risk of personal injury. The edges of drain flange openings may be sharp.

NOTE: The drain fittings are included in a small box located within the carton.

NOTE: The drain trim, drain cover, and overflow trim should be purchased separately.

- Apply liquid dish soap or other lubricant to the brass tube and then slide the seal on.
- Use the tool to press the brass tube fully into the drain body.
- Use the tool to insert the ring into the drain body. Align the ring with the slots in the drain body.
- Rotate the tool 1/4 turn to lock the ring. Remove the tool.
- Tighten the three screws.

7. Complete the Installation



- Follow the instructions included with the trim.
- Insert the drain trim and drain cover into the drain body. Insert the overflow trim into the drain overflow plate.
- Press the drain cover several times to verify that the drain opens and closes properly.
- Install the bath filler following the faucet manufacturer's instructions.
- Close the bath drain.
- Fill the bath to the overflow and check the drain connections for leaks.
- If desired, apply a thin, continuous bead of clear or color-matched 100% silicone sealant to the seam between the bath and the finished floor.