
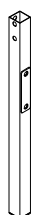
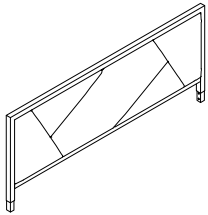
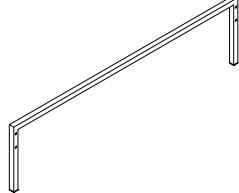
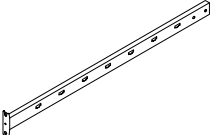
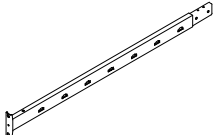
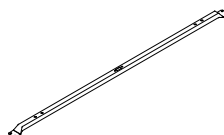


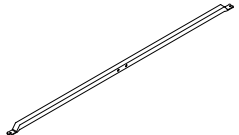
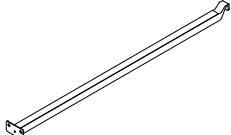
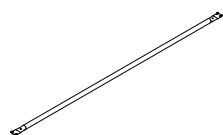
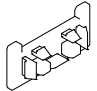
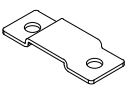



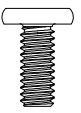




# ASSEMBLY INSTRUCTION

## METAL PLATFORM FULL BED METAL PLATFORM QUEEN BED

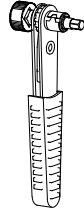
<b>A</b> Left Leg 	<b>B</b> Right Leg 	<b>C</b> Headboard 	<b>D</b> Footboard 
<b>E</b> 1PC Front Side Rail 	<b>F</b> 1PC Rear Side Rail 	<b>G</b> 1PC Center Cross Bar 	<b>H</b> 1PC Center Support Leg 
<b>I</b> 2PCS Support Leg 	<b>J</b> 2PCS Side Cross Bar 	<b>K</b> 1PC Center Rail 	<b>L</b> 3PCS Slat 
<b>M</b> 2PCS Slat Connector 	<b>N</b> 2PCS Bracket 6 x 25 x 65 x 2mm 	<b>O</b> 2PCS Bolt 1/4" x 10mm 	<b>P</b> 14PCS Bolt 1/4" x 17.5mm 
<b>Q</b> 28PCS Bolt 1/4" x 22mm 	<b>R</b> 1PC Bolt 5/16" x 19mm 	<b>S</b> 8PCS Bolt 1/4" x 40mm 	<b>T</b> 8PCS Nut 1/4" 
12PCS	8PCS	6PCS	6PCS

**U** Washer  
1/4"



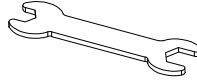
4PCS

**V** Ratchet Tool  
4mm

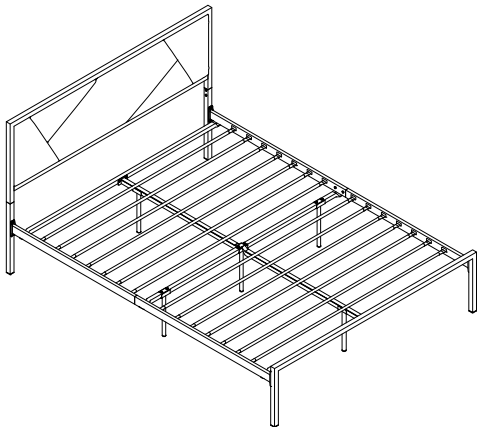


1PC

**W** Wrench  
1/4" x 5/16"



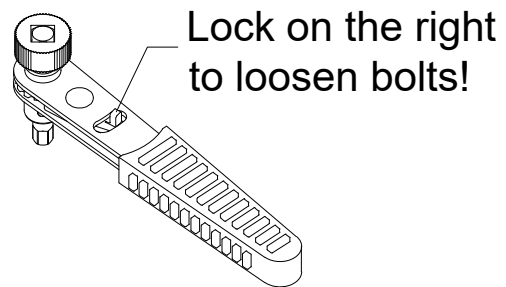
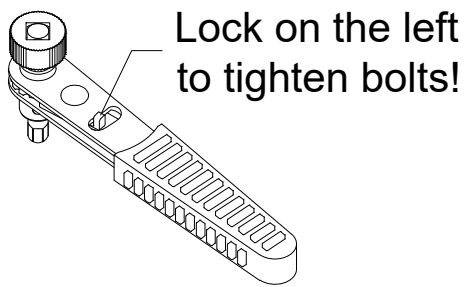
1PC



These pages list all the contents included in the box. Please take the time to identify the hardware as well as the individual components to this product. As you unpack and prepare for assembly, place the contents on a carpeted or padded area to protect them from damage.

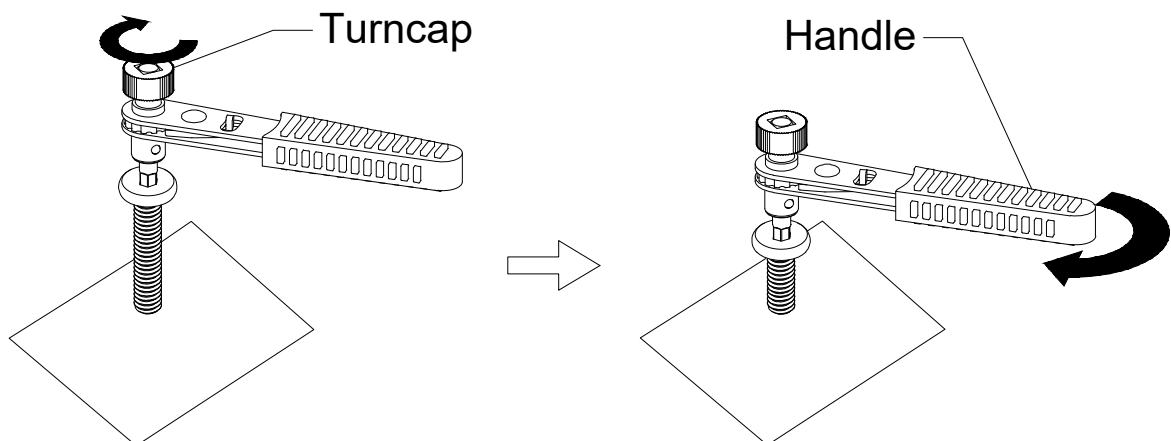
# How to Use the Ratchet Tool (V)

1. Before assembling the furniture, please adjust the lock as needed.

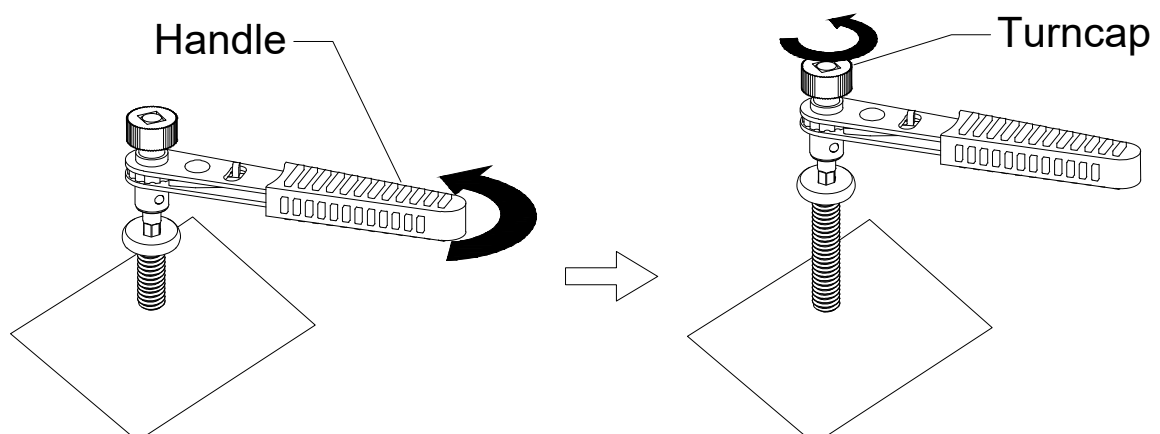


2. Tighten or loosen bolts.

- **Tighten bolts:** Locate the turncap and rotate it clockwise to screw the bolt quickly until it cannot be rotated any more. Then start rotating the handle clockwise to finalize tightening the bolt.

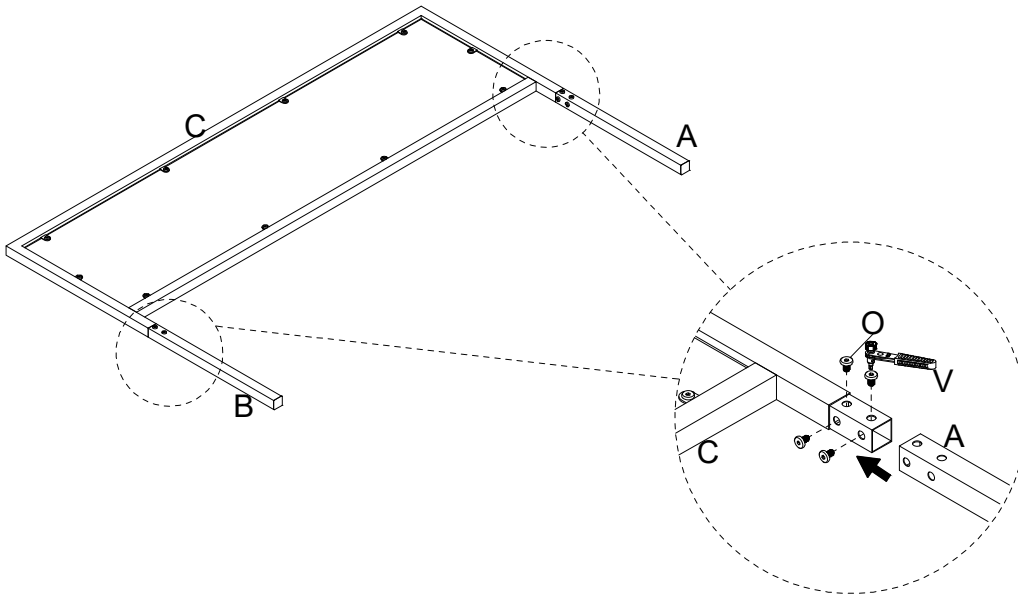


- **Loosen bolts:** Rotate the handle counterclockwise to loosen the bolt. Then continue rotating the turncap in the same direction to remove the bolt completely.

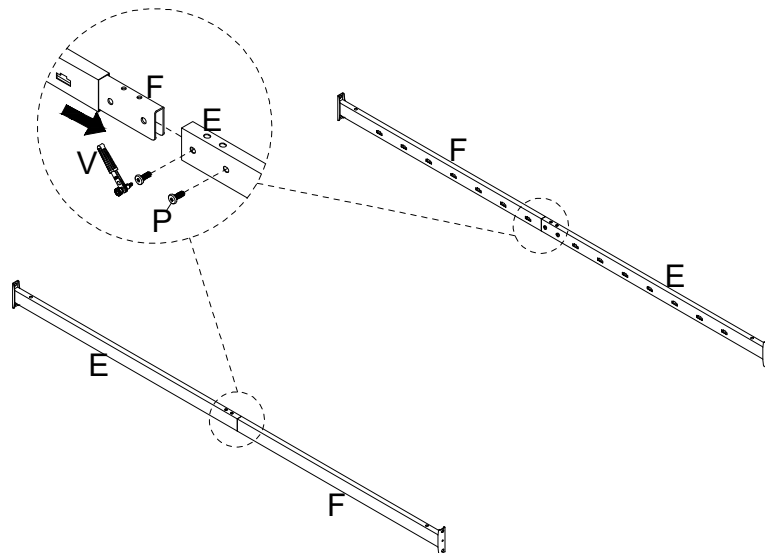


**1**

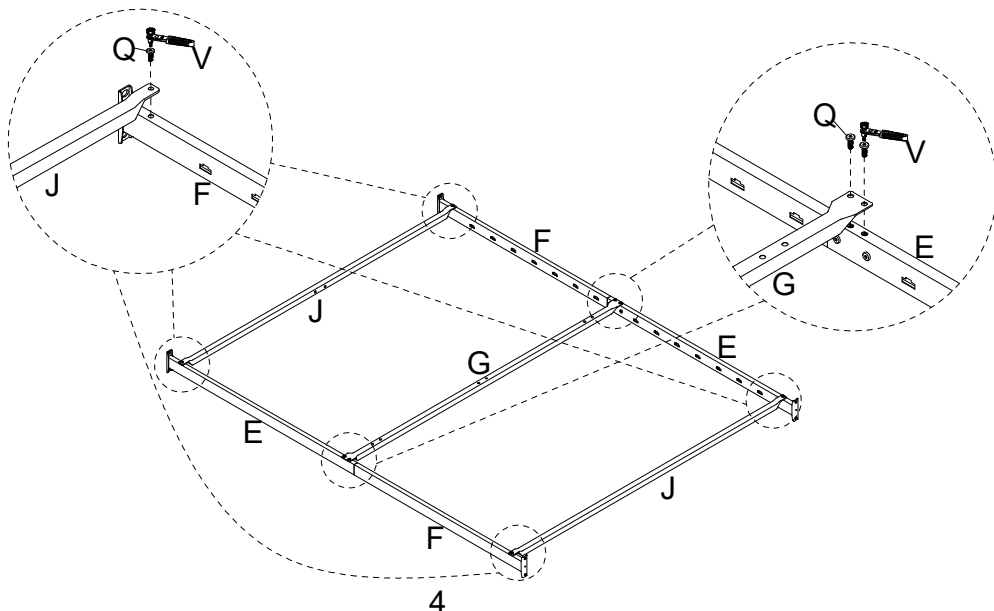
Attach Left & Right Leg (A & B) to Headboard (C) using Bolt (O) with Ratchet Tool (V).

**2**

Attach Rear Side Rail (F) to Front Side Rail (E) using Bolt (P) with Ratchet Tool (V).

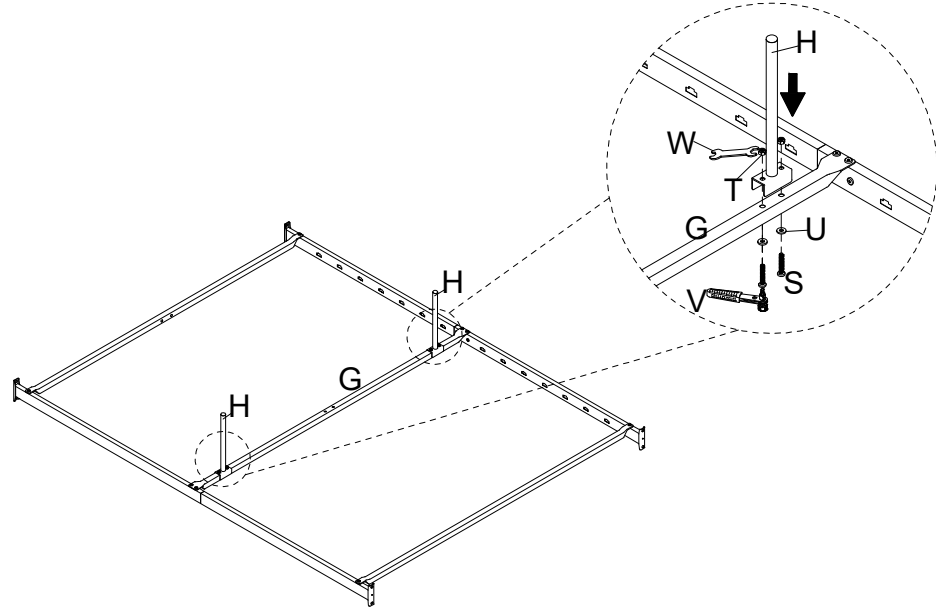
**3**

Attach Side Cross Bar (J) and Center Cross Bar (G) to Side Rail (E & F) using Bolt (Q) with Ratchet Tool (V).

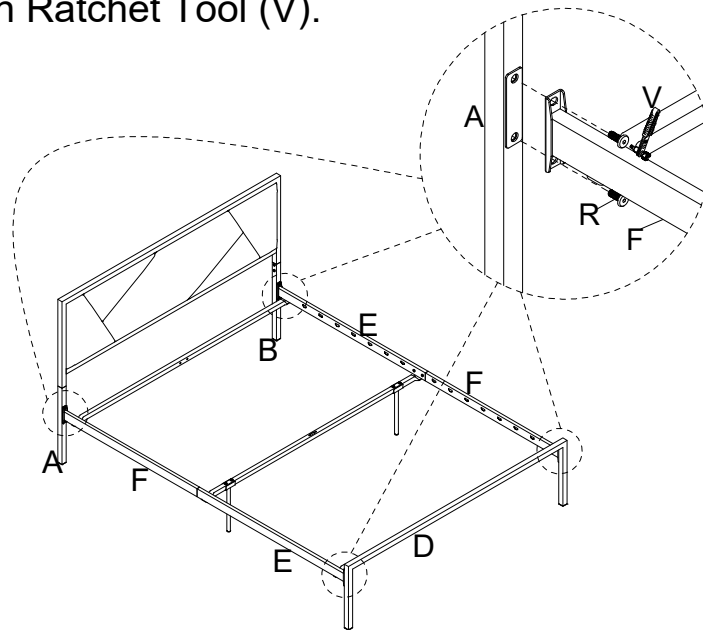


**4**

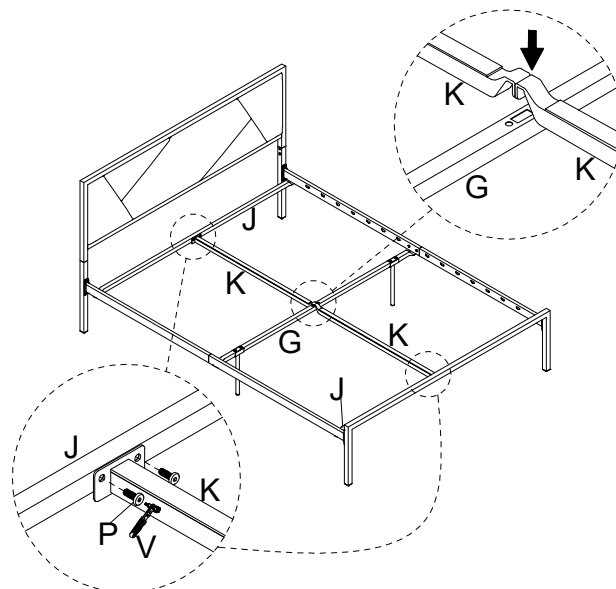
Attach Center Support Leg (H) to Center Cross Bar (G) using Bolt (S), Washer (U) and Nut (T) with Ratchet Tool (V) and Wrench (W).

**5**

Attach Side Rail (E & F) to Left & Right Leg (A & B) and Footboard (D) using Bolt (R) with Ratchet Tool (V).

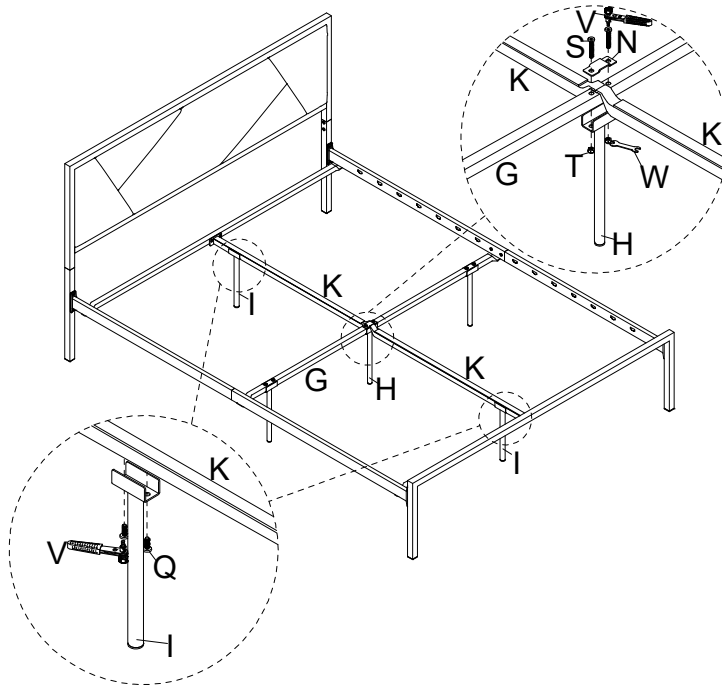
**6**

Attach Center Rail (K) to Center Cross Bar (G) and Side Cross Bar (J) using Bolt (P) with Ratchet Tool (V).

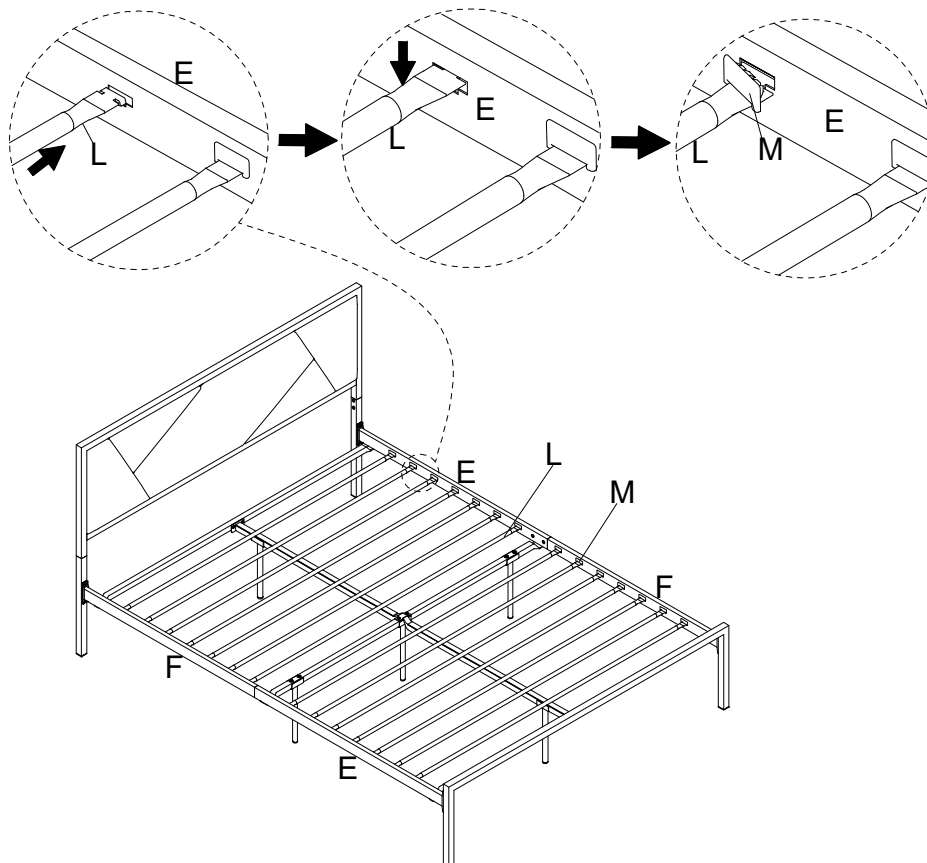


**7**

Attach Support Leg (I) to Center Rail (K) using Bolt (Q) with Ratchet Tool (V). Then attach Center Support Leg (H) and Bracket (N) to Center Cross Bar (G) using Bolt (S) and Nut (T) with Ratchet Tool (V) and Wrench (W).

**8**

Insert Slat (L) into Side Rail (E & F) as shown. Then lock Slat Connector (M) to fix Slat (L).



### Cleaning & Care

Treat surfaces with care. Surfaces are resistant to scratches but are not scratch resistant. Clean surfaces with a dry or damp soft cloth. Do not use abrasive cleaners. Hardware may loosen over time. Periodically check that all connections are tight.