



**Brittany Optional Makeup Counter 650-DU26 Assembly Instructions.**  
**Same Instructions for use with: 650-V46-BNM / CWH / UGR / BKO**

<p><b>A=2pcs</b>    <math>\varnothing 1/4 \times 3/4</math>    </p>	
<p><b>B=2pcs</b>    <math>\varnothing 16</math>    </p>	
<p><b>C=2pcs</b>    <math>\varnothing 1/4</math>    </p>	
<p><b>D=1pc</b>    <math>\varnothing 4</math>    </p>	

**IMPORTANT:** James Martin recommends a minimum of two people for the assembly of all 650 Brittany cabinets with makeup drawer. You will need a tape measure for this assembly.

**Step 1a:** Locate the two rectangular wood frames included inside the carton. The frames are used to support the makeup drawer during assembly and make the installation process easier.

**Step 2a:** Place one of the cabinets in its final position in your bathroom. Place the second cabinet approximately 27-28 inches away from the side of the first cabinet. This location allows space for the makeup counter plus a few extra inches needed to correctly position and attached the drawer.

**Step 3a:** Remove the drawer from the makeup counter for access to the access to the pre-drilled holes.

**Step 4a:** To attach the Countertop, place the makeup counter on a blanket or similar soft material. Attach your Countertop to the top of makeup drawer, insert the bolt through the Flat Washer (B) and the Spring Washer (C) through the underneath of front rail by Allen wrench.



**Brittany Optional Makeup Counter 650-DU26 Assembly Instructions.**  
**Same Instructions for use with: 650-V46-BNM / CWH / UGR / BKO**

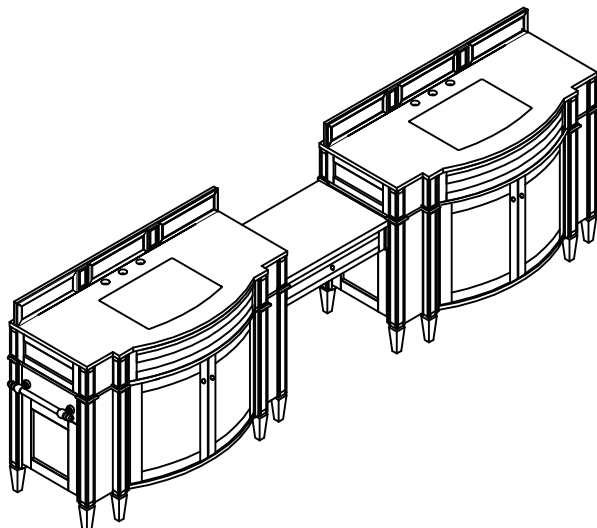
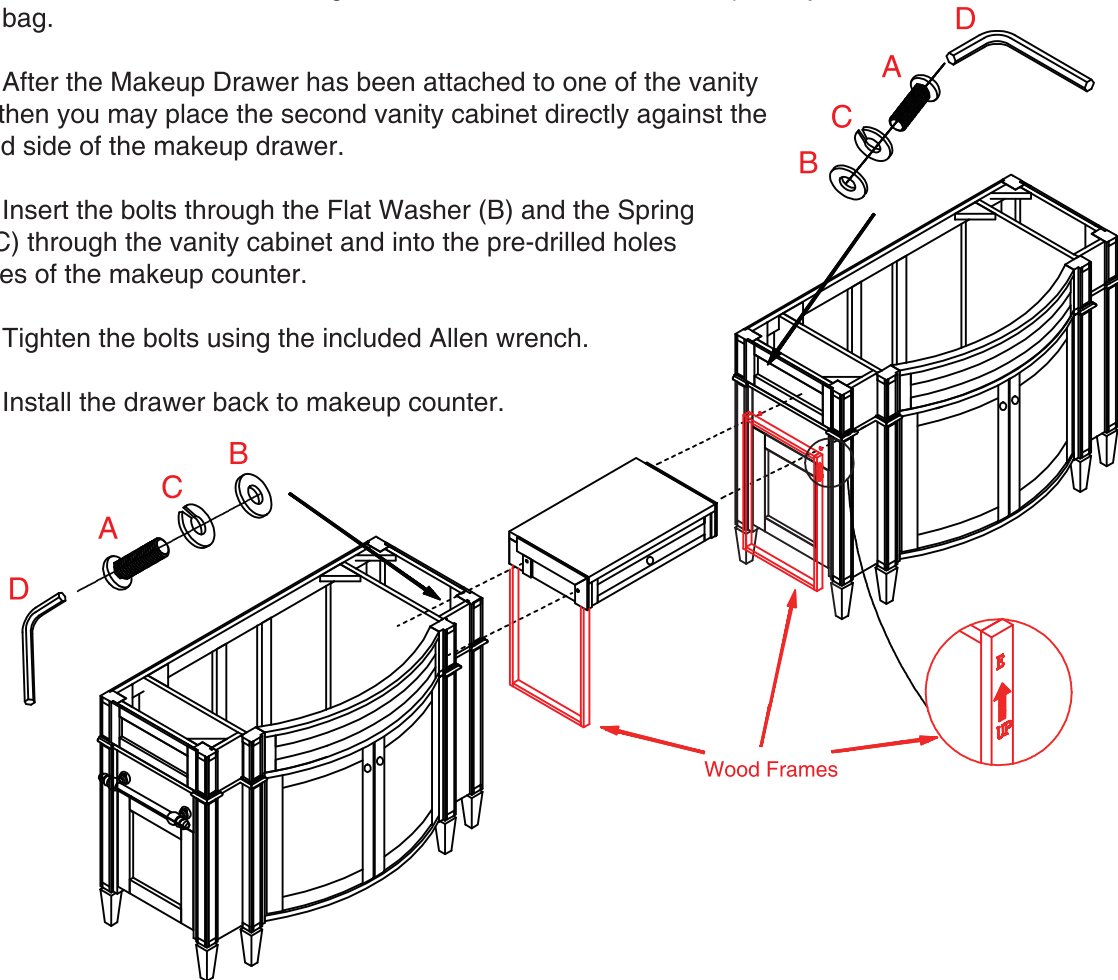
Step 5a: Place the two Rectangular Wood Frames (E) against the sides of the vanity cabinets to support the makeup counter during assembly. Insert the bolt through the Flat Washer (B) and the Spring Washer (C) through the vanity cabinet and into the pre-drilled holes on the sides of the makeup counter. (Refer to diagram below). The Allen wrench needed to tighten the bolts is included in the specially marked hardware bag.





Step 6a: After the Makeup Drawer has been attached to one of the vanity cabinets, then you may place the second vanity cabinet directly against the unattached side of the makeup drawer.

Step 7a: Insert the bolts through the Flat Washer (B) and the Spring Washer (C) through the vanity cabinet and into the pre-drilled holes on the sides of the makeup counter.

Step 8a: Tighten the bolts using the included Allen wrench.

Step 9a: Install the drawer back to makeup counter.

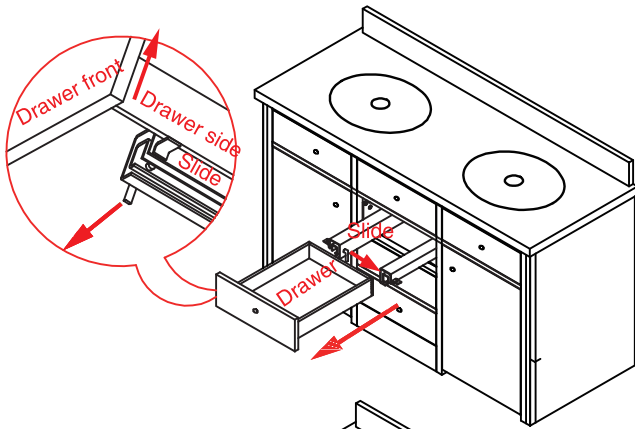


A=4pcs	Ø1/4*1-3/8	
B=4pcs	Ø16	
C=4pcs	Ø1/4	
D=1pc	Ø4	

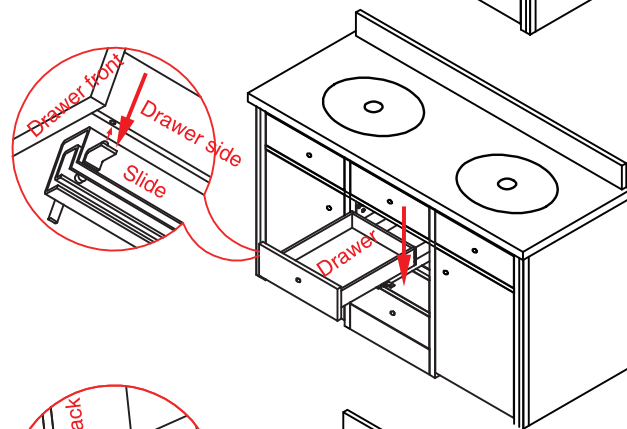
Visit our website for a video showing the makeup counter installation.  
[www.jamesmartinvanities.com](http://www.jamesmartinvanities.com)  
 Knowledge Base / Solutions / Installation and Assembly



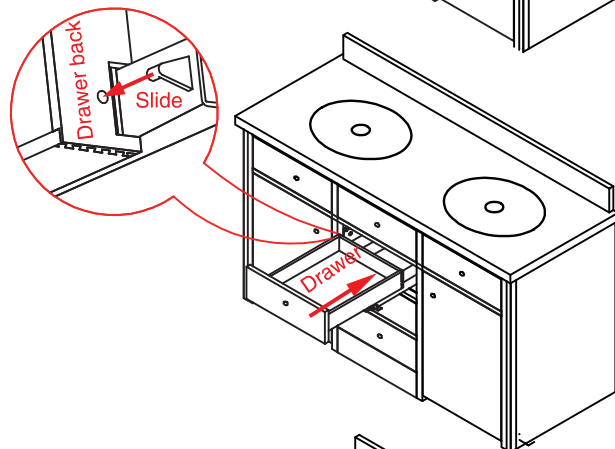
### Drawer assembly and removal (with peg)



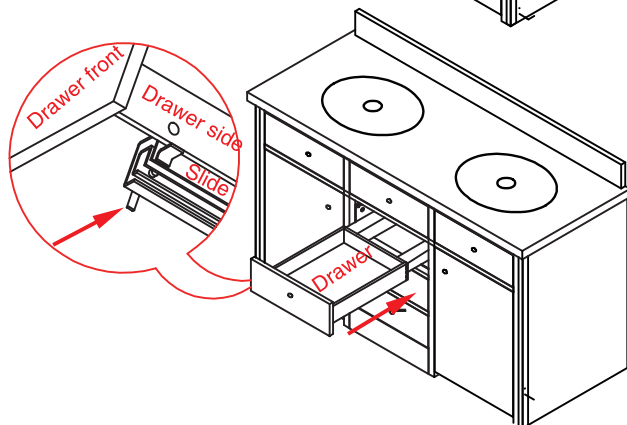
1. For removal, pull out the locking pin from the drawer side. Lift the drawer and pull it out from the cabinet.



2. For the assembly of drawer, pull out the drawer member of the slide from the cabinet, lay the drawer onto the slide.



3. Align drawer back board hole and slide the hook of slide end, push the hook will slide into the hole.



4. Press the locking pin into the drawer side hole to lock the position of the drawer.

Visit our website for a video showing drawer removal and installation.  
[www.jamesmartinvanities.com](http://www.jamesmartinvanities.com)  
 Knowledge Base / Solutions / Installation and Assembly