

For Residential and Commercial Applications

Job Name: _____ Engineer/Architect: _____
 Job Location: _____ Wholesaler: _____
 Submittal Date: _____ Contractor: _____

PR14X/PR34X Multi-Turn Straight Stop - CPVC x Compression

Use: For use in potable water distribution systems in accessible locations only. Not intended for recirculating water systems that produce continuous use temperatures above 115° F. For those applications, use our KT™ series ball stop.

Design Features:

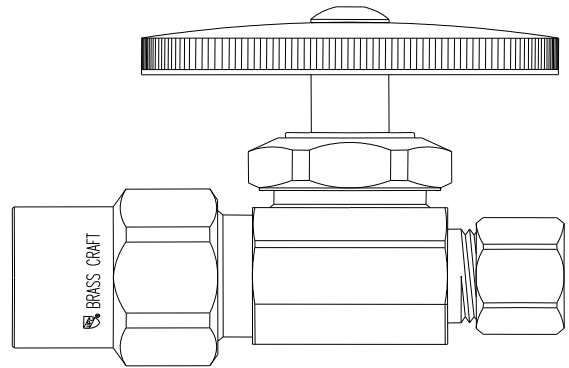
- **Machined one-piece brass body** provides strength, durability, and long-lasting performance
- **Oval knurled handle** provides a secure grip and smooth on/off operation
- **✓**

Operating Specifications:

Temperature: 40° - 160° F
Pressure: 125 PSI maximum



STOP MATERIAL SPECIFICATIONS	
Body	<i>Brass, plated</i>
Stem	<i>POM or Brass</i>
Bib & Packing Washers	<i>Rubber</i>
Packing Nut	<i>Brass, plated</i>
Handle	<i>Lexan</i>
Handle Screw	<i>Steel, zinc plated</i>
CPVC Insert	<i>CPVC</i>
CPVC Washer	<i>Rubber</i>
Compression Sleeve & Nut	<i>Brass, plated</i>
CPVC Nut	<i>Brass, plated</i>



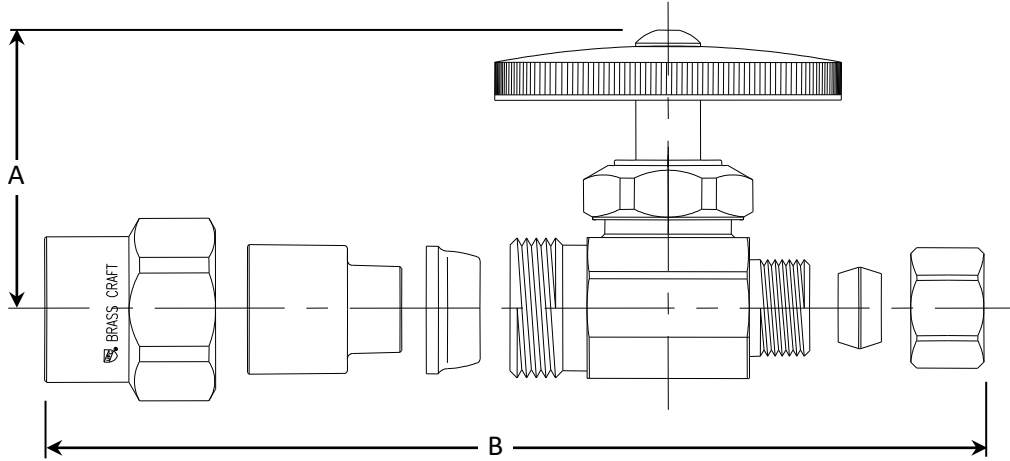
Part Listing:

- PR14X C 1/2" nom CPVC x 3/8" OD compression, chrome
- PR14X C1 1/2" nom CPVC x 3/8" OD compression, chrome, window tray
- PR14X BZ 1/2" nom CPVC x 3/8" OD compression, oil-rubbed bronze
- PR14X NS 1/2" nom CPVC x 3/8" OD compression, satin nickel
- PR14X R 1/2" nom CPVC x 3/8" OD compression, rough brass

This specification and all information contained herein is the confidential and exclusive property of BrassCraft Manufacturing Company and shall not be disclosed to others without the written consent of Brasscraft. This specification must be returned to Brasscraft if requested.

PR14X/PR34X Multi-Turn Straight Stop - CPVC x Compression

PART DIMENSIONS (Inches)		
Model	DIM. A	DIM. B
PR14X	1.77	2.60



Listings & Certifications:

- IAPMO listed to ASME A112.18.1 / CSA B125.1 (includes NSF/ANSI 372 and NSF/ANSI/CAN 61)



This specification and all information contained herein is the confidential and exclusive property of BrassCraft Manufacturing Company and shall not be disclosed to others without the written consent of Brasscraft. This specification must be returned to Brasscraft if requested.

