

8 7 6 5 4 3 2 1

F F

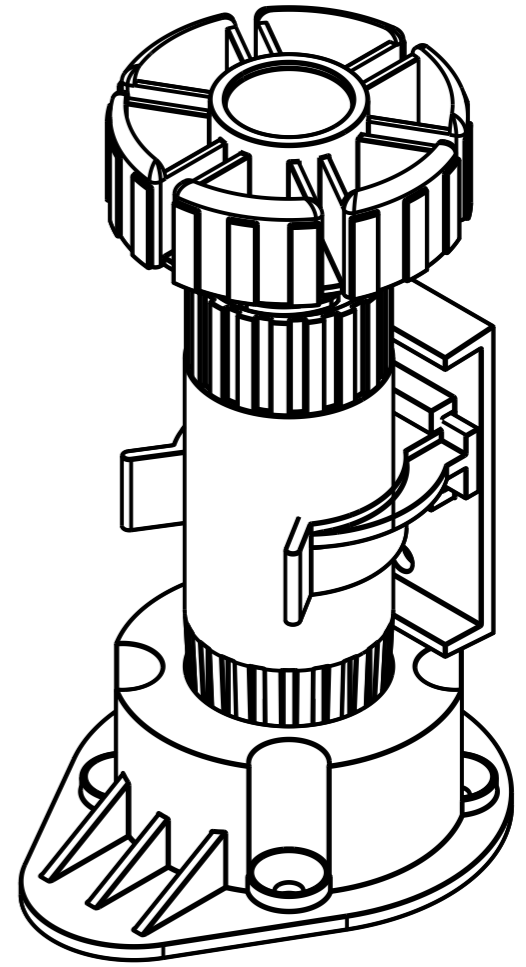
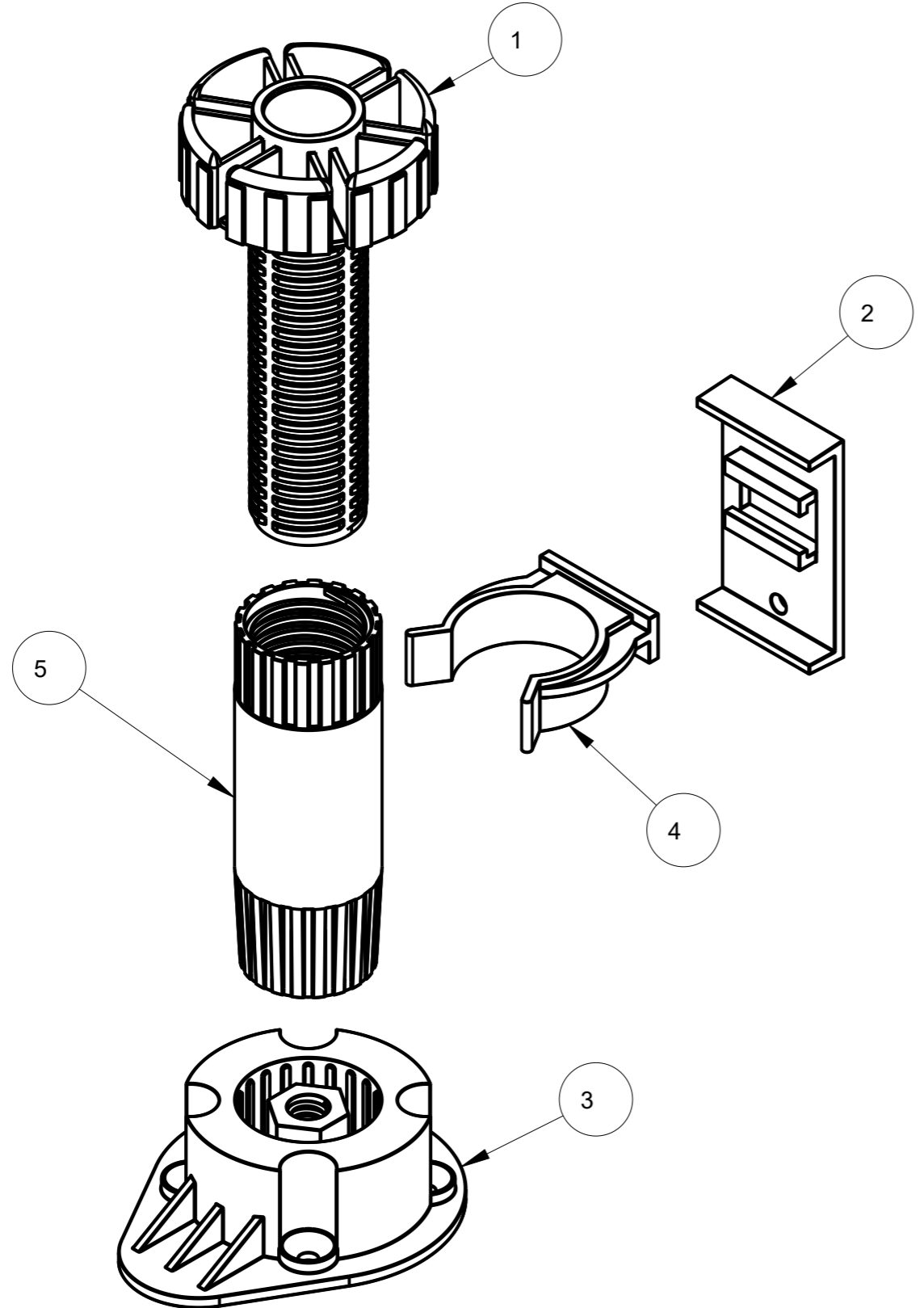
E E

D D

C C

B B

A A



BILL OF MATERIALS TABLE			
ITEM	QTY	PRODUCT DESCRIPTION	NOTES
1	1	ADJUSTABLE SCREW	
2	1	CLIP BASE	
3	1	MOUNT BASE	
4	1	SPRING CLIP	
5	1	SUPPORT POLE	

HR ITEM NUMBER	PRODUCT DESCRIPTION
TP03	BLACK PLASTIC ADJUSTABLE FEET WITH TOE KICK BRACKET



HARDWARE RESOURCES RESERVES THE RIGHT TO CHANGE SPECIFICATIONS WITHOUT NOTICE. IN CASE OF A DISCREPANCY, ACTUAL PART GEOMETRY SUPERSEDES THIS DOCUMENT.

THE INFORMATION CONTAINED WITHIN THIS DRAWING IS THE SOLE PROPERTY OF HARDWARE RESOURCES INC. ANY REPRODUCTION IN PART OR WHOLE WITHOUT WRITTEN PERMISSION OF HARDWARE RESOURCES INC. IS PROHIBITED.

DOCUMENT STATUS **Released**

UNLESS OTHERWISE SPECIFIED DIMENSIONS ARE IN MILLIMETERS (MM)

MATERIAL	FINISH
PLASTIC	N/A

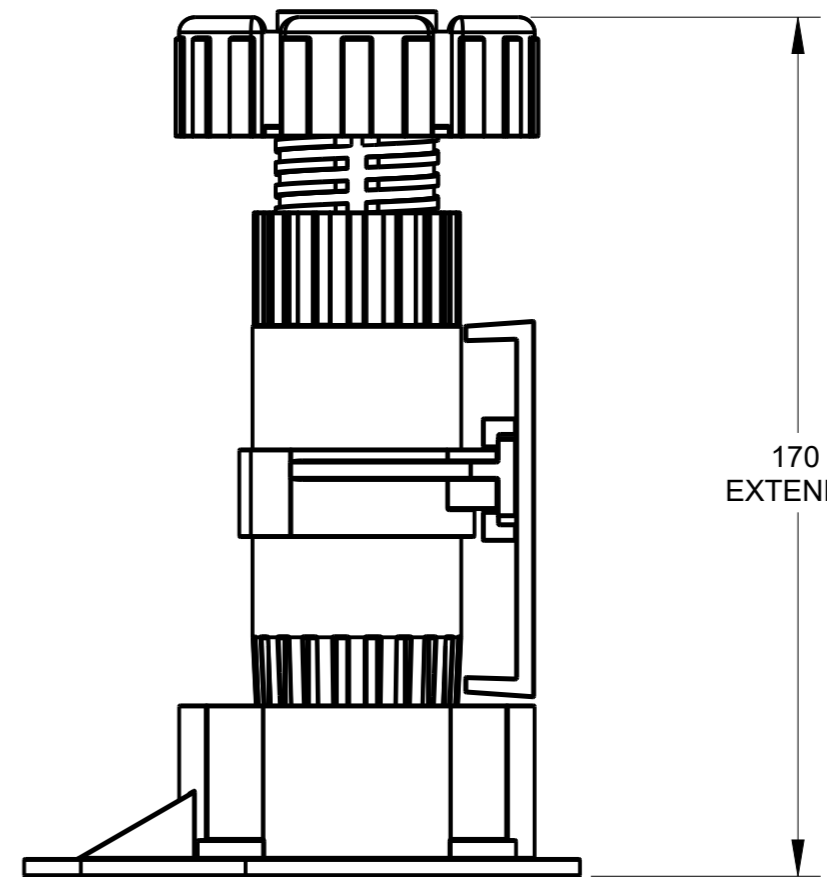
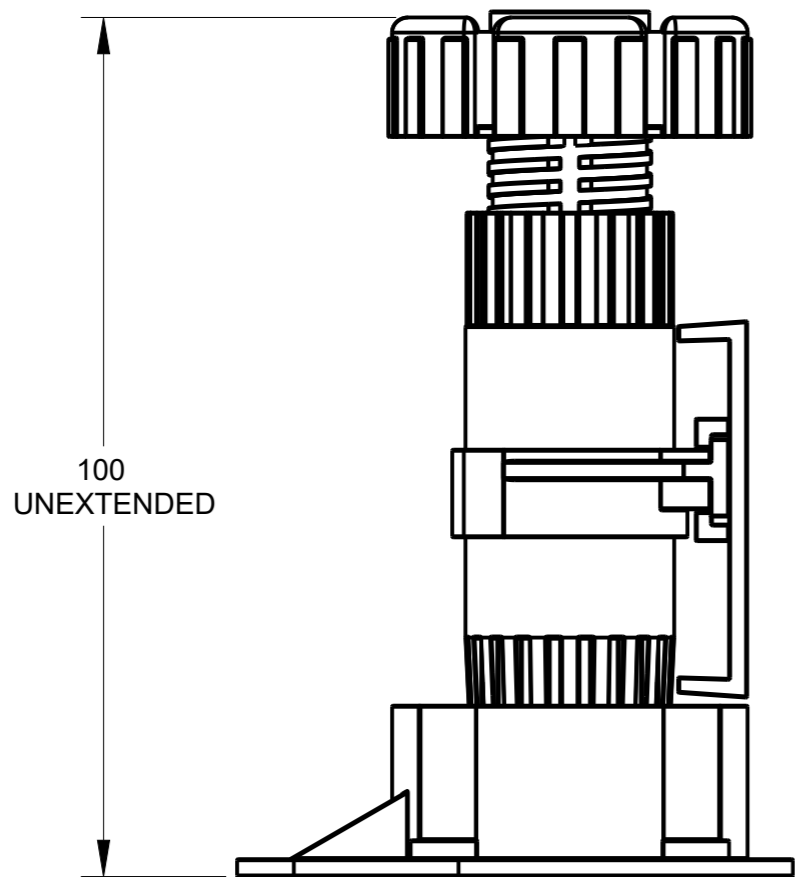
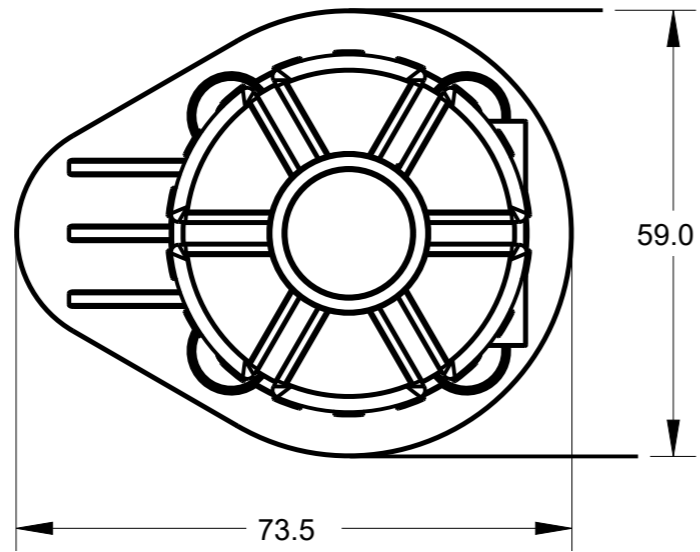
THIRD ANGLE PROJECTION	DATE
	07JUL2025

DESCRIPTION		
BLACK PLASTIC ADJUSTABLE FEET WITH TOE KICK BRACKET		
DRAWING NUMBER		REV
TP03		A
SIZE	SCALE	SHEET
A3	0.500	1 / 3

8 7 6 5 4 3 2 1

8 7 6 5 4 3 2 1

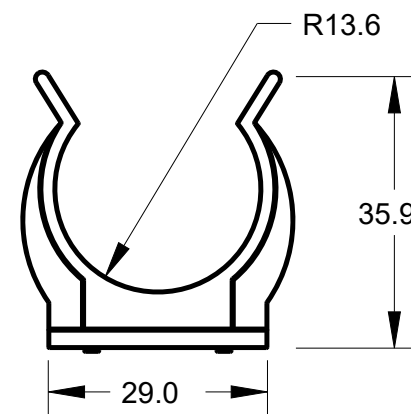
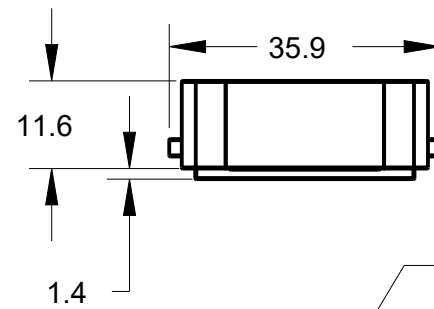
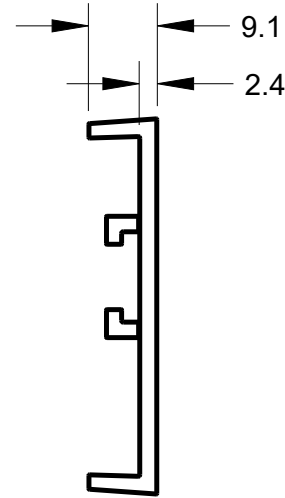
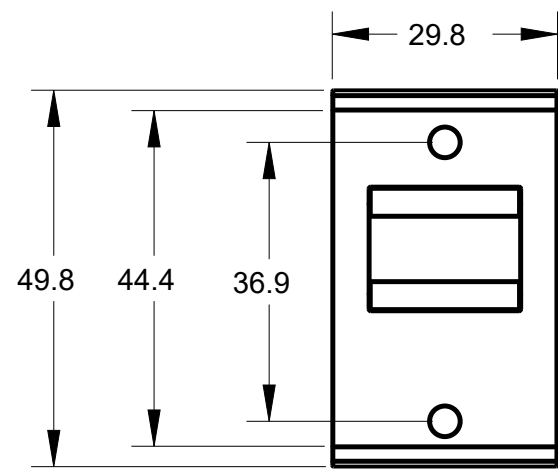
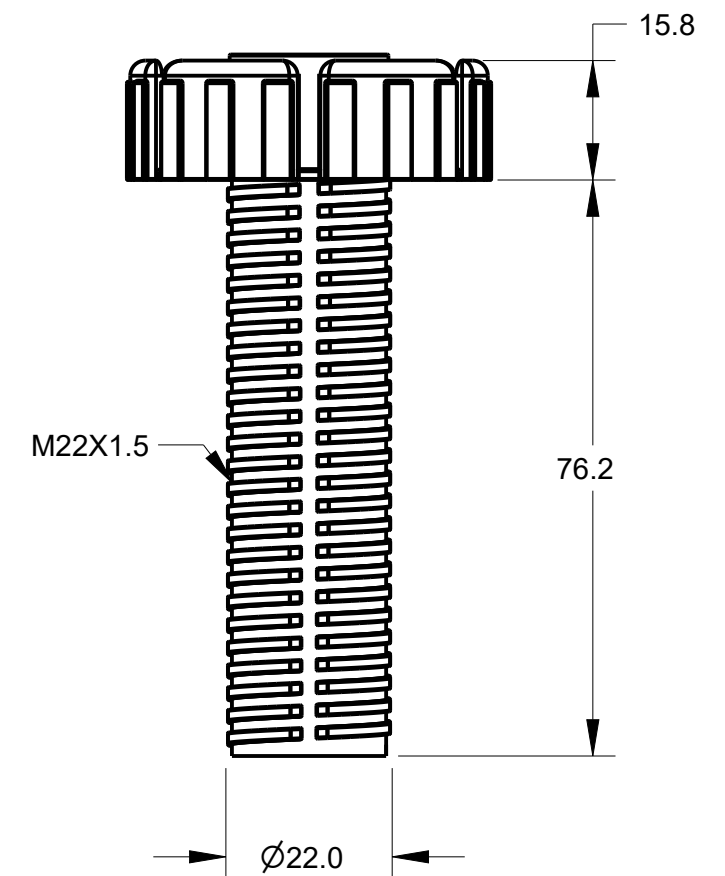
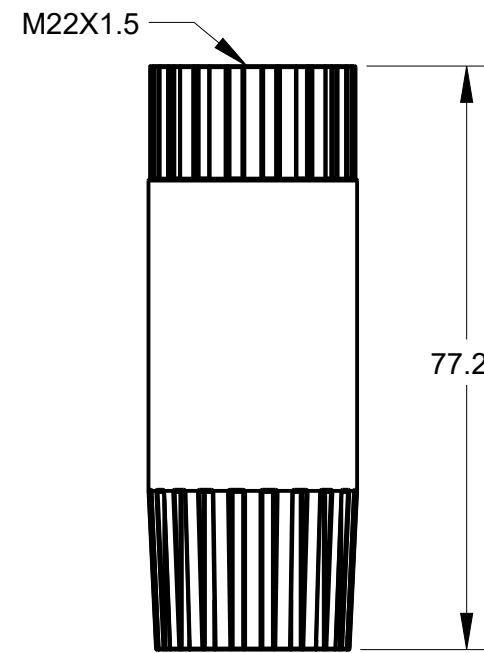
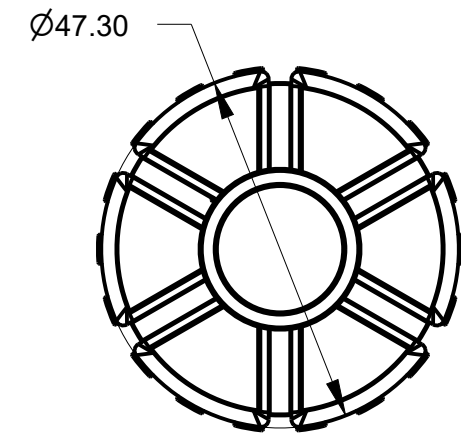
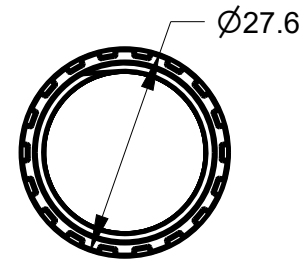
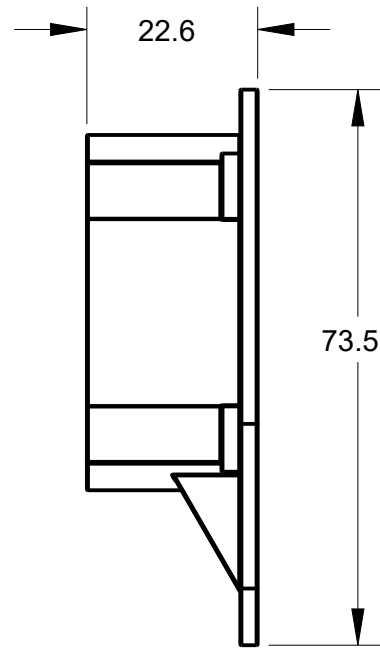
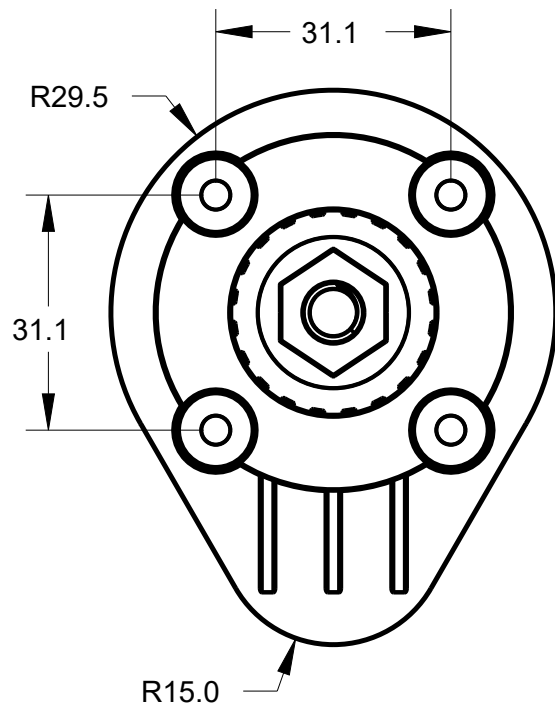
F
E
D
C
B
A



8 7 6 5 4 3 2 1

F
E
D
C
B
A

DRAWING NUMBER TP03		REV A
SIZE A3	SCALE 0.500	SHEET 2 / 3
DOCUMENT STATUS		Released



DRAWING NUMBER: TP03		REV: A
SIZE: B	SCALE: 0.500	SHEET: 3/3
DOCUMENT STATUS: Released		