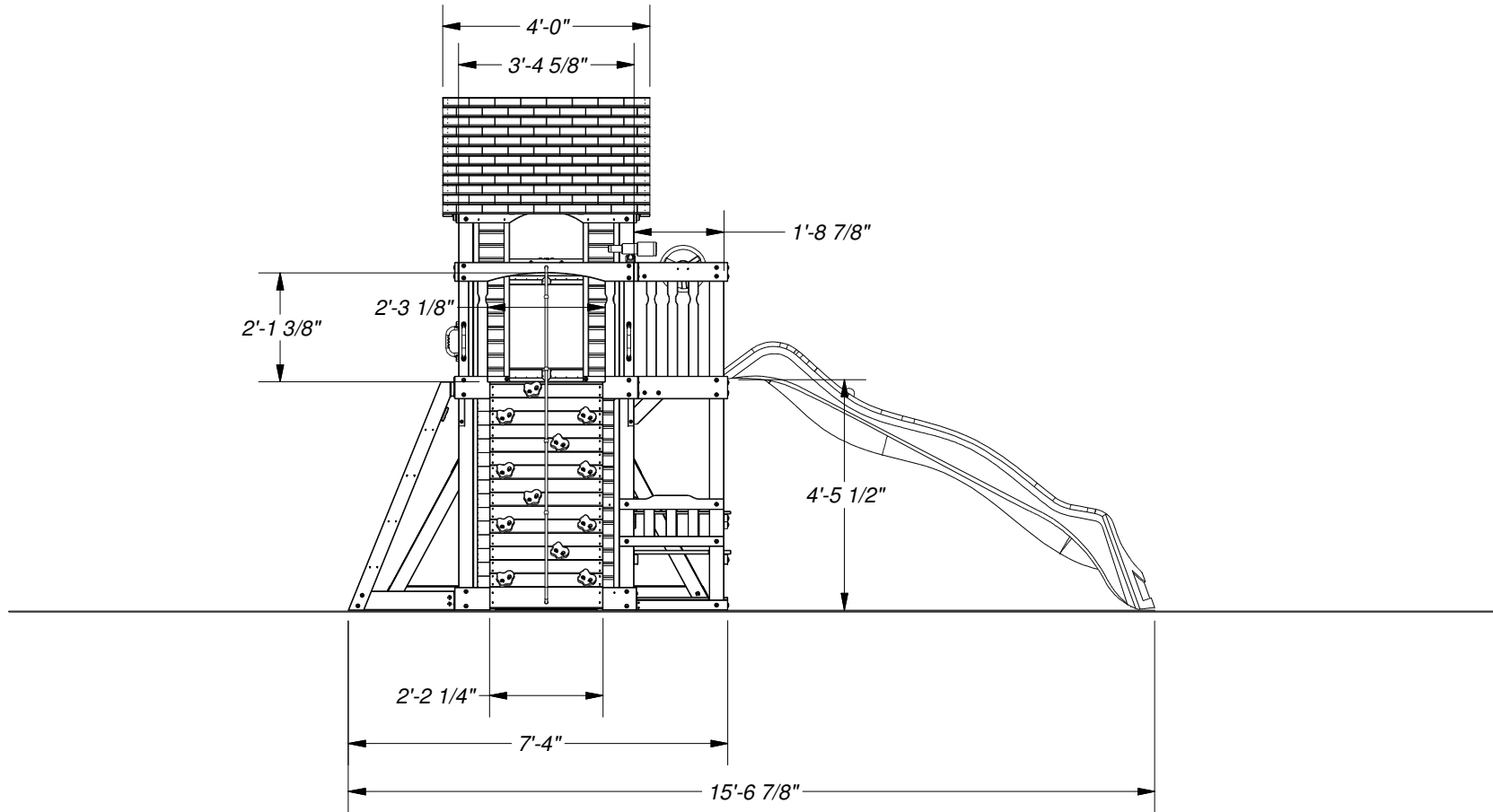
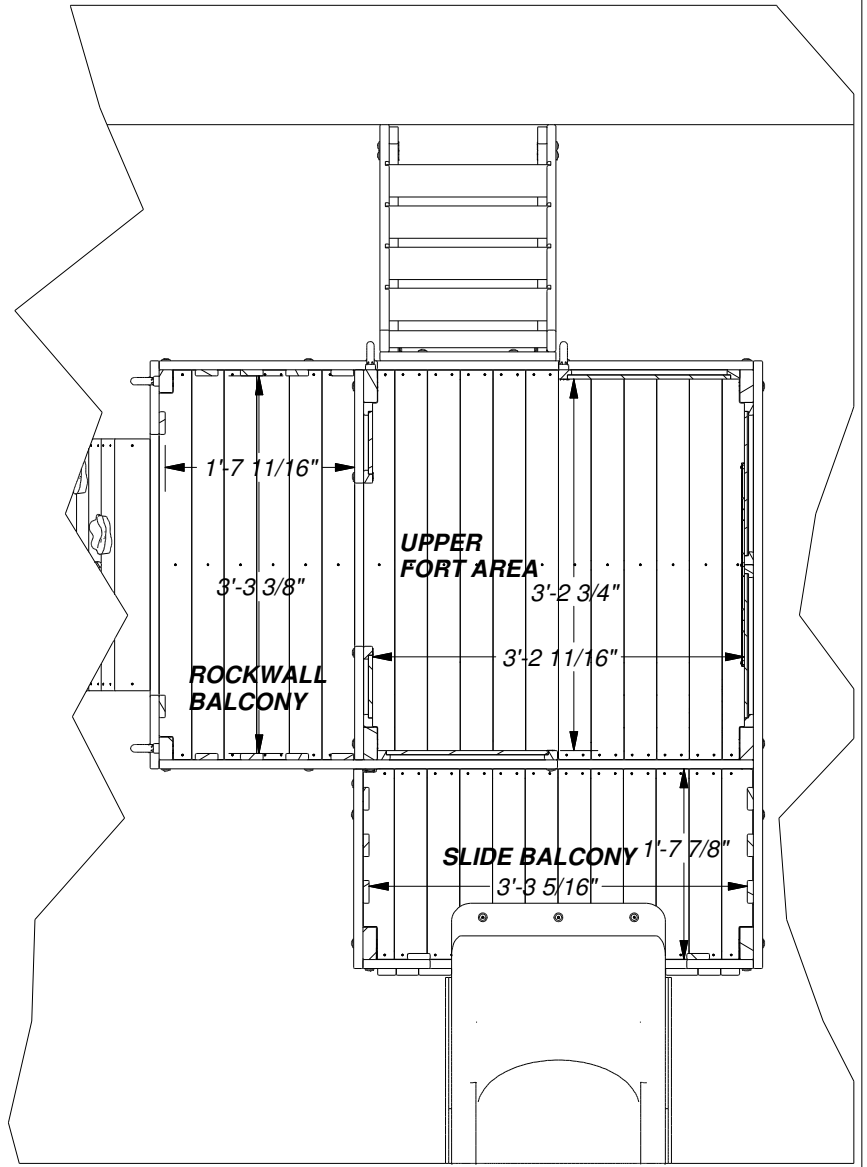
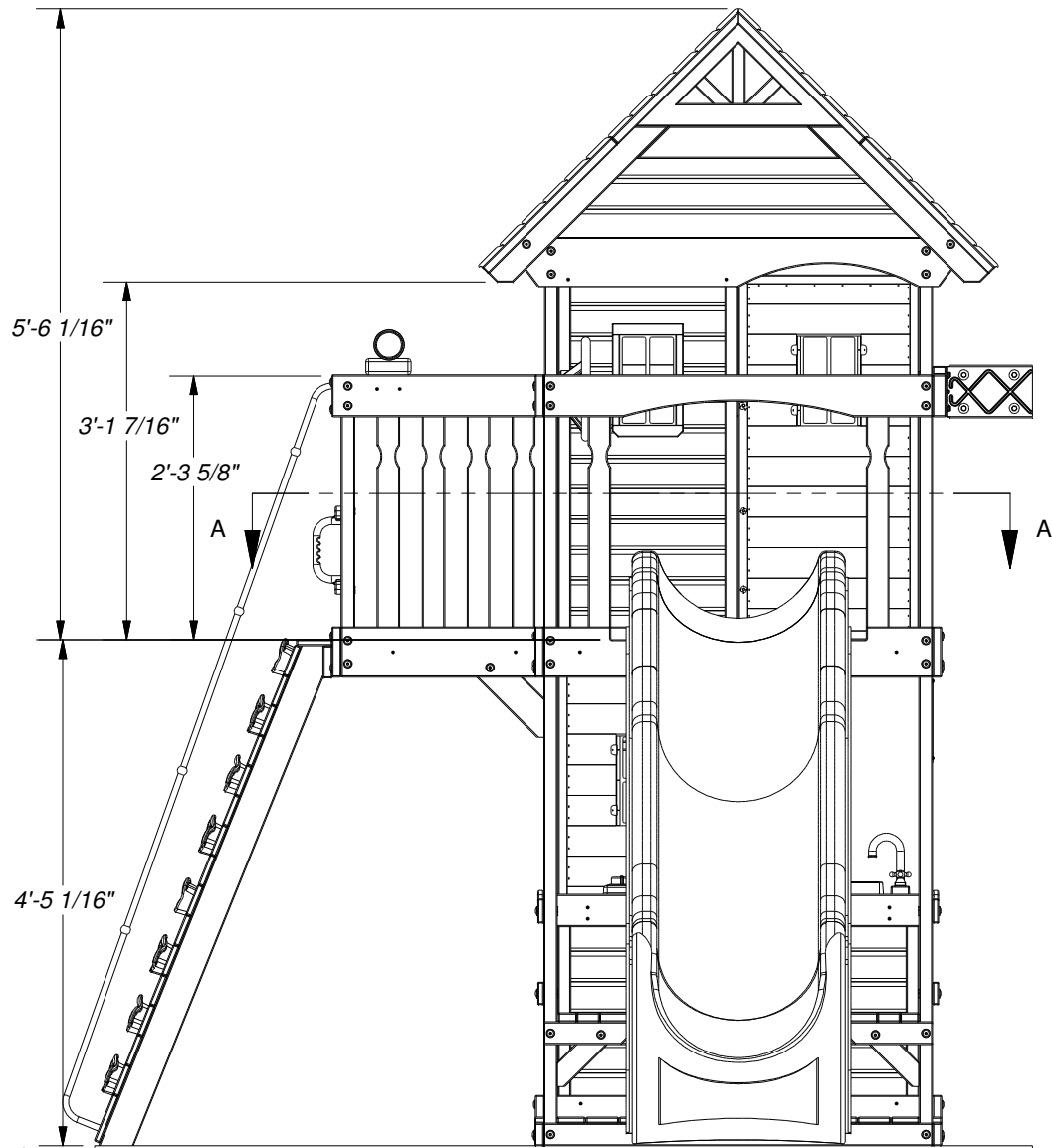


DRAWN BY	BRS	DESCRIPTION	CANYON CREEK SWING SET
DATE	4/21/2023	PART NUMBER	1803022B CANYON CREEK MASTER
		REV	



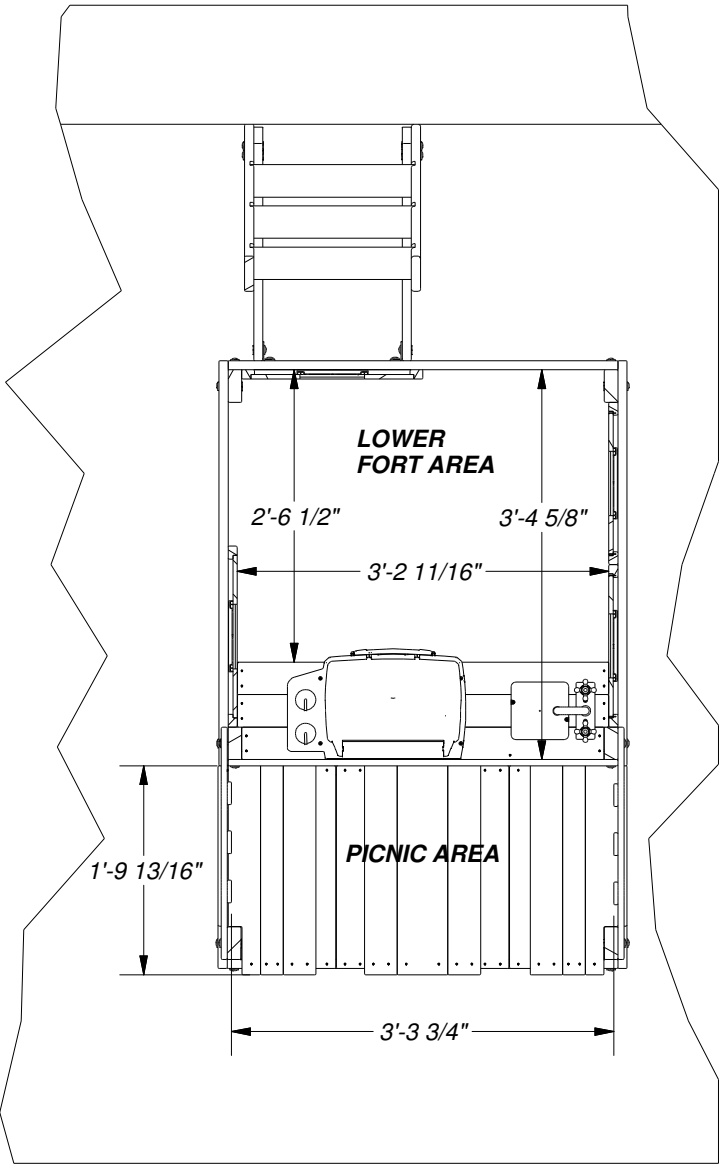
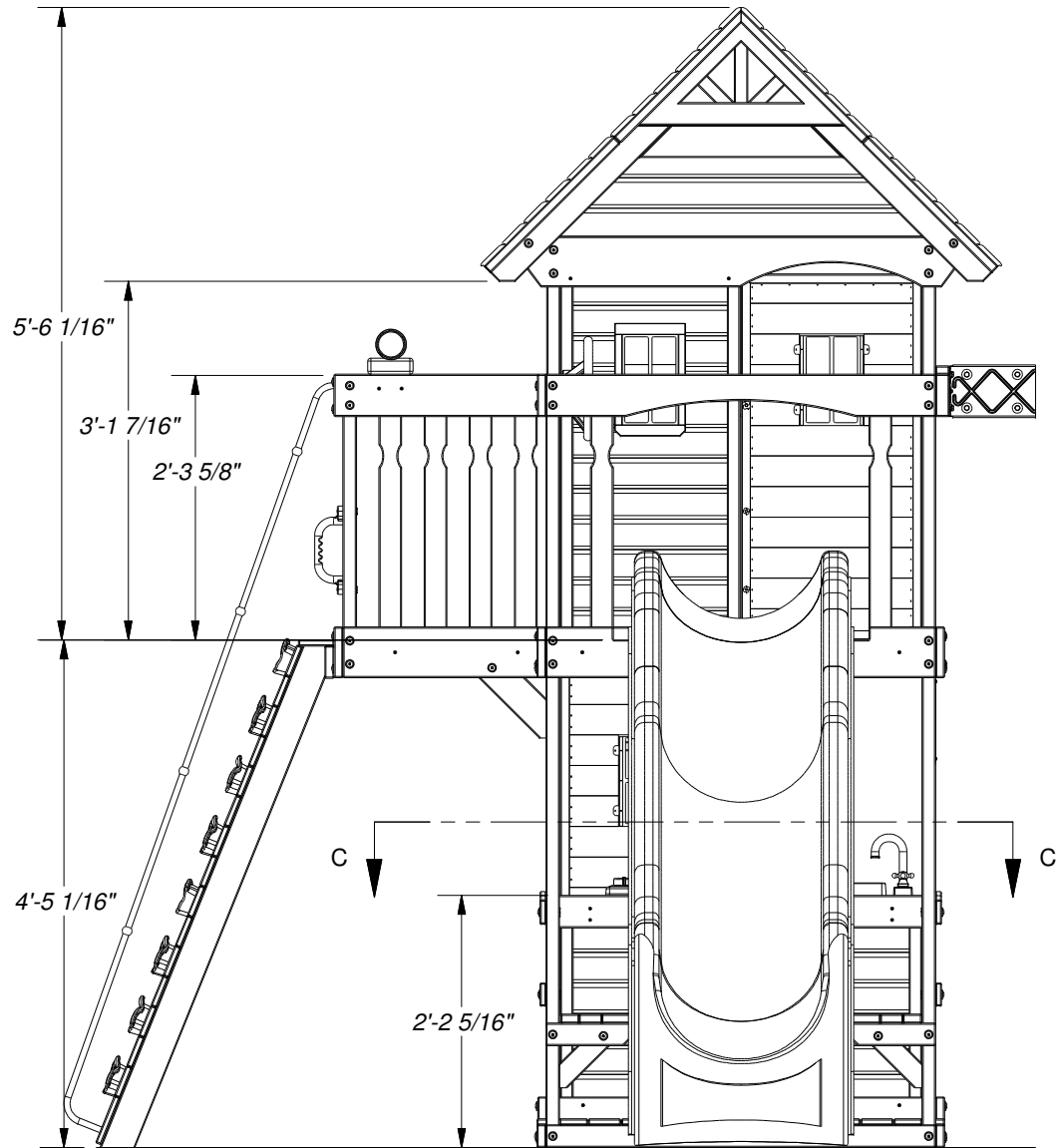
DRAWN BY	BRS	DESCRIPTION	CANYON CREEK SWING SET
DATE	4/21/2023	PART NUMBER	1803022B CANYON CREEK MASTER
		REV	



SECTION A-A



DRAWN BY	BRS	DESCRIPTION	CANYON CREEK SWING SET
DATE	4/21/2023	PART NUMBER	1803022B CANYON CREEK MASTER
		REV	



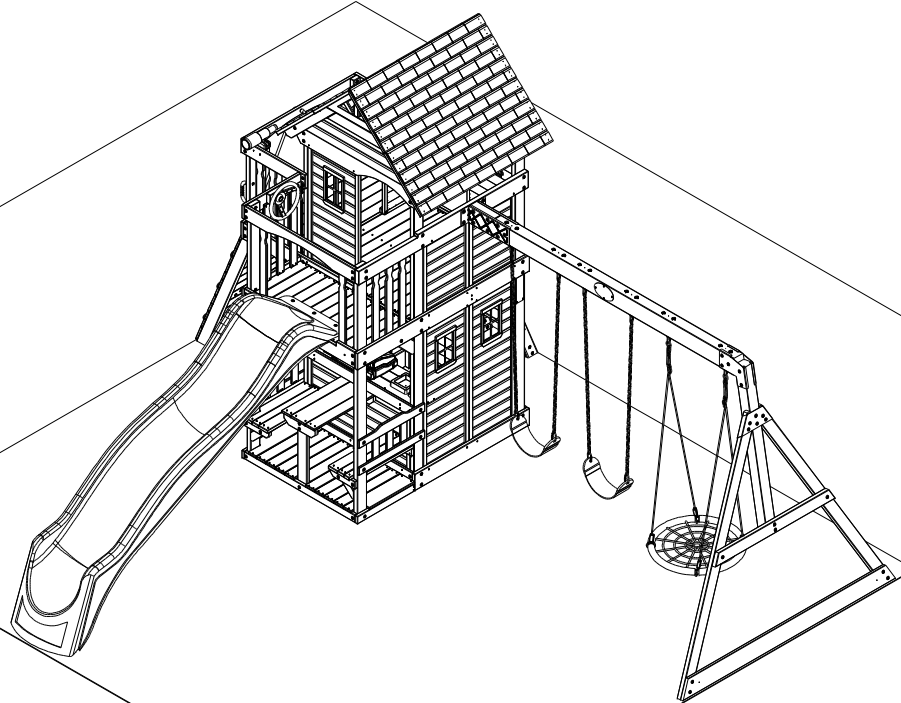
<small>DRAWN BY</small> BRS	<small>DESCRIPTION</small> CANYON CREEK SWING SET	
<small>DATE</small> 4/21/2023	<small>PART NUMBER</small> 1803022B CANYON CREEK MASTER	<small>REV</small>

Part Number

1803022B CANYON CREEK MASTER

Sheet

5 OF 5



<small>DRAWN BY</small> BRS	<small>DESCRIPTION</small> CANYON CREEK SWING SET	
<small>DATE</small> 4/21/2023	<small>PART NUMBER</small> 1803022B CANYON CREEK MASTER	<small>REV</small>