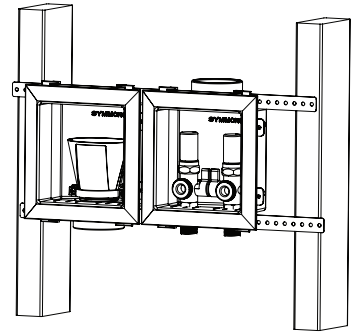




SYMMONS® LaundryMate®



LM600 LaundryMate® Valve Operation & Maintenance Manual

Model Numbers

- LM600** *LaundryMate® drain box with Valve*

Options/Modifications

- A** *Water hammer arrestor size AA*
- F** *Funnel*
- P1** *Crimp PEX*
- P2** *Cold expansion PEX*

Note: Append appropriate -suffix to model number.

Compliance

- ASME A112.18.1/CSA B125.1
- ASSE 1010 (LM600A only)
- NSF 61.9, NSF 372



Feature Highlights

- Installation straps for 16" O.C. single stud bay mounting or direct-to-stud mounting
- 1/2-14 NPSM with 1/2" female sweat inlets, 3/4" male outlets
- Valve can be installed as bottom or top supply
- Accommodates 1 layer of 1/2" drywall up to 2 layers of 5/8" drywall
- 2" PVC female direct glue drain
- Mounting straps
- 1/4 turn ball valves with color coded handles

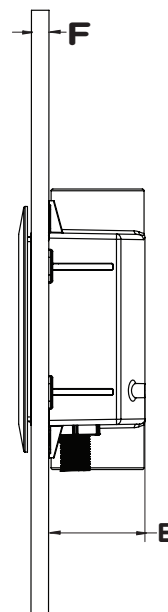
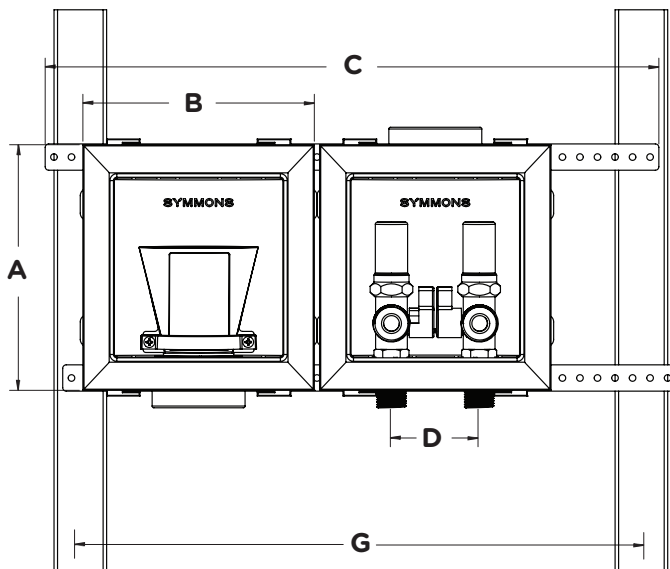
Warranty

Limited Lifetime - to the original end purchaser in consumer/residential installations.

10 Years - for commercial/industrial installations. Refer to www.symmons.com/warranty for complete warranty information.



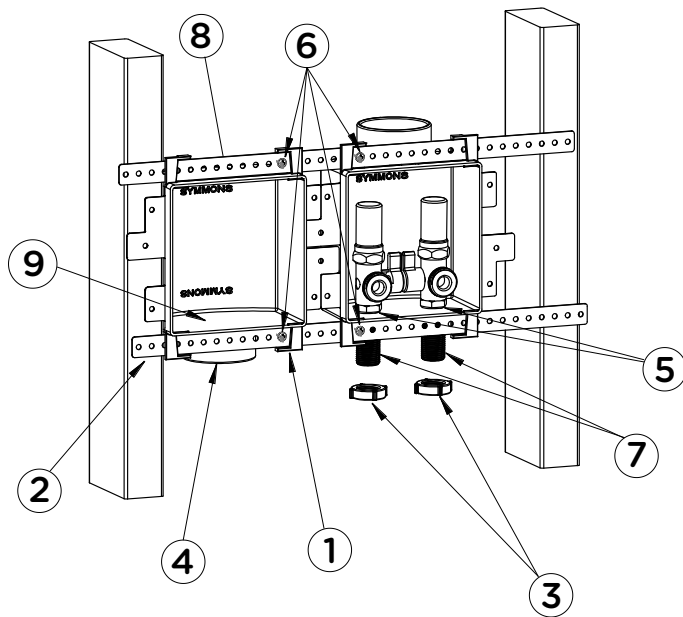
Dimensions



Measurements	
A	7", 178 mm
B	6-5/8", 168 mm
C	17-1/2", 445 mm
D	2 1/2" 64mm
E	2 3/4" 70mm
F	Min. 1/2", 13 mm Max. 1-1/4", 32 mm
G	16" O.C. REF, 406mm

Note: Dimensions subject to change without notice.

Installation



Section A (Steps 1-10)

1. Slide straps in mounting tabs
2. Attach strap to studs with user provided screws
3. Secure valve to box with two supplied nuts
4. Glue 2" PVC pipe into bottom of drain box
5. Knockout outside two holes of supply box for hot and cold supply (shown in A.1)
6. Insert provided screws through tabs to secure box in place
7. Connect supplies to valves with either:
 - a. Sweat connect
 - b. P1 Option - Crimp PEX or P2 Option - Cold Expansion PEX
8. If condensate drain is used, knockout back hole in drain box (shown in A.1)
9. Knockout center plug of drain box with screwdriver or hammer and use pliers to remove

Section B (Steps 10&11)

10. After finish wall is in place, press on covers
 - a. If finish wall is 1/2" thick, break tabs from cover off
 - b. If 2 layers of 5/8" drywall leave tabs on

Funnel Installation:

Before installation of funnel deburr drain hole as necessary

11. If 1-1/4" drain line hose is used, use provided clamp to secure hose in place

Section C (Step 12)

Double Bay Installation:

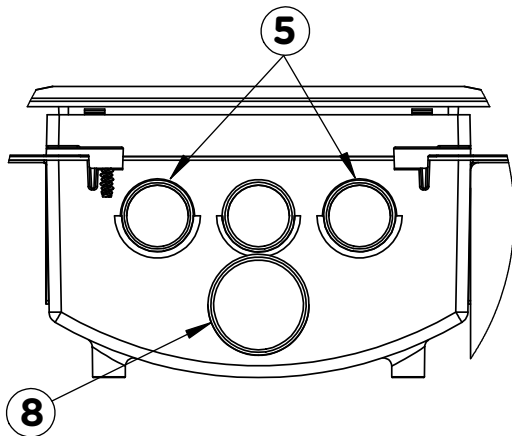
12. Mount boxes on adjacent side of wall stud with provided tabs. Continue steps starting at step 4.

Section D (Step 13)

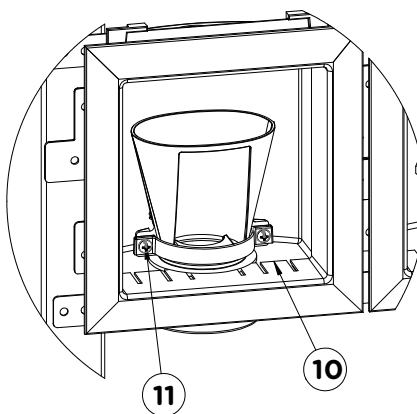
Surface Mount Installation:

13. Drill holes out of box and use user provided screws to attach to wall

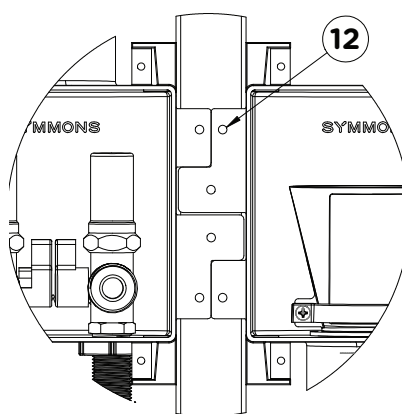
Section A



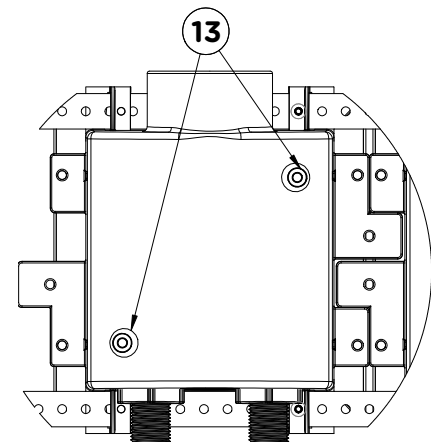
Section A.1



Section B



Section C



Section D