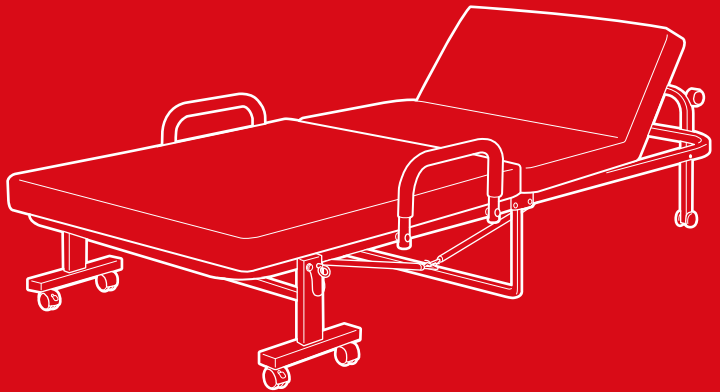




bestchoiceproducts



INSTRUCTION MANUAL

Folding Rollaway Twin Bed

NOTICE

Please retain these instructions for future reference.

- Do not stand on or use any part of this product as a step ladder.
- Firmly secure all bolts, screws and knobs before use.
- Reconfirm that all bolts, screws, and knobs are secure every 90 days.
- Be aware that some parts are heavy and have sharp edges.
- If any parts are missing, broken, damaged, or worn, stop using this product until repairs are made and/or factory replacement parts are installed.
- Do not use this item in a way inconsistent with the manufacturer's instructions as this could void the product warranty.

TOOLS REQUIRED



440 LBS
CAPACITY

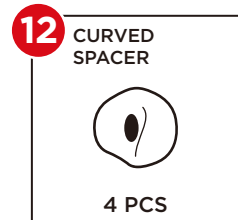
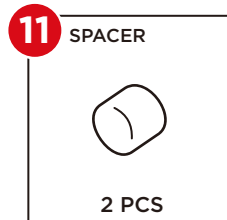
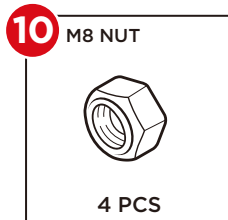
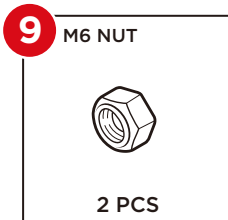
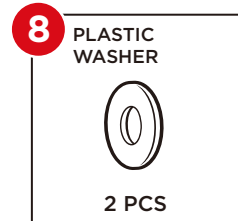
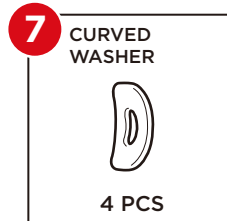
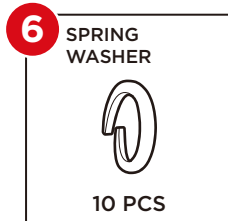
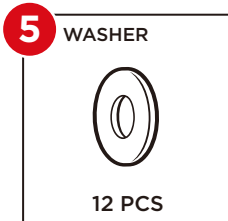
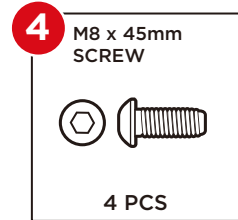
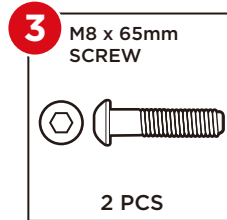
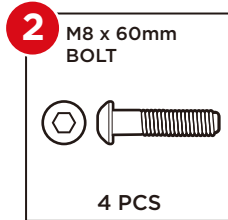
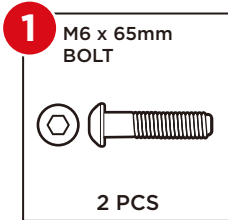


1 PERSON
ASSEMBLY



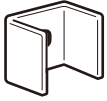
APPROXIMATELY
30 MIN.
ASSEMBLY

HARDWARE



HARDWARE

13 BRACKET



2 PCS

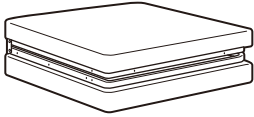
14 LOCKING PIN



1 PC

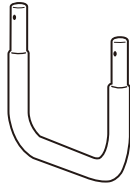
PARTS

A BED FRAME



1 PC

B SIDE RAIL



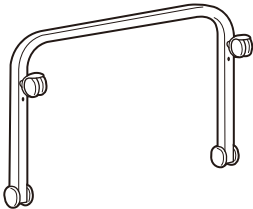
2 PCS

C LEG



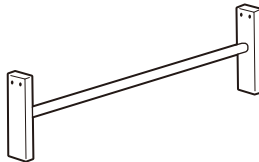
2 PCS

D HEADBOARD



1 PC

E LEG FRAME



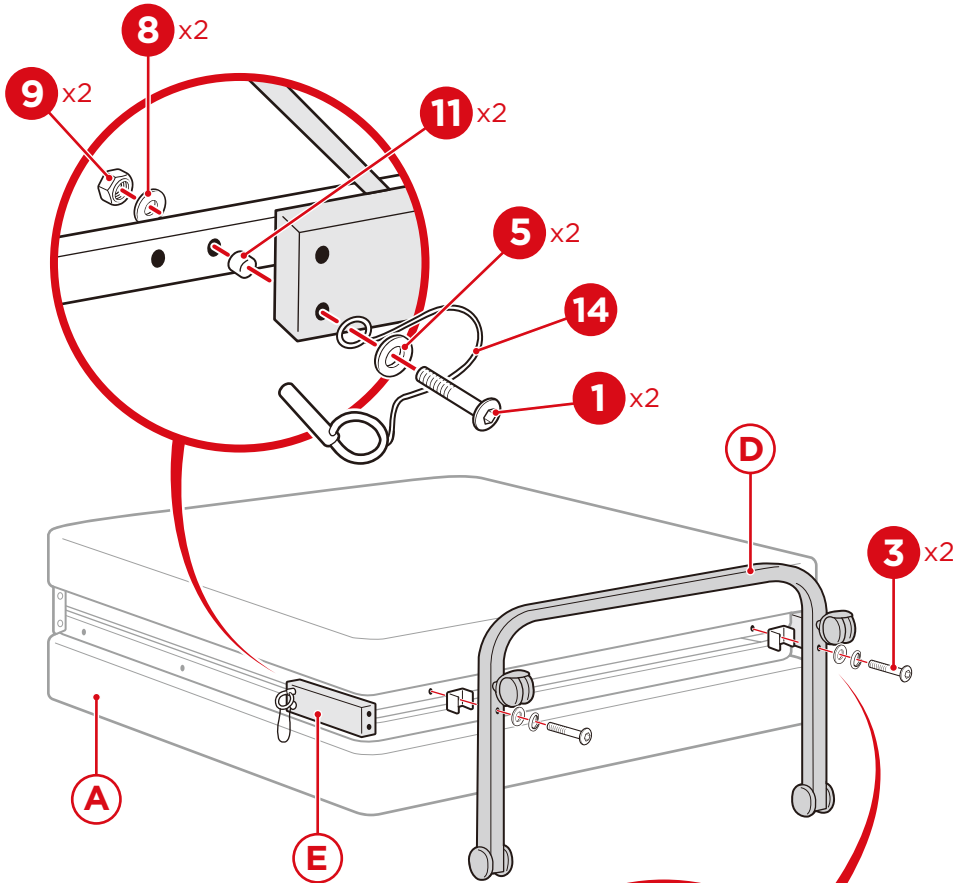
1 PC

PRODUCT ASSEMBLY

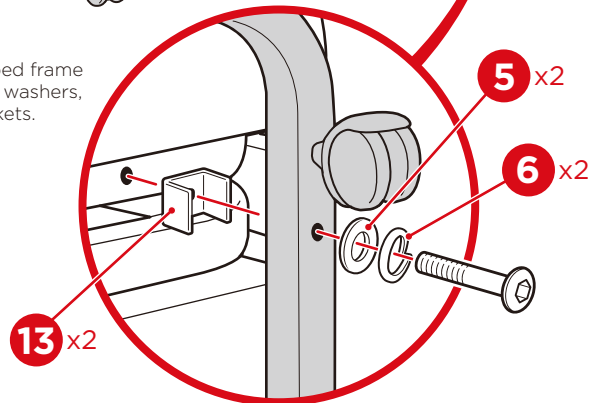
1

Slide the part E leg frame into the opening in the part A bed frame.

Attach the leg frame to the bottom bed frame with a part 1 bolt, part 5 washer, part 14 pin, part 11 spacer, part 8 plastic washer, and part 9 nut. Repeat on the other side (without a pin).



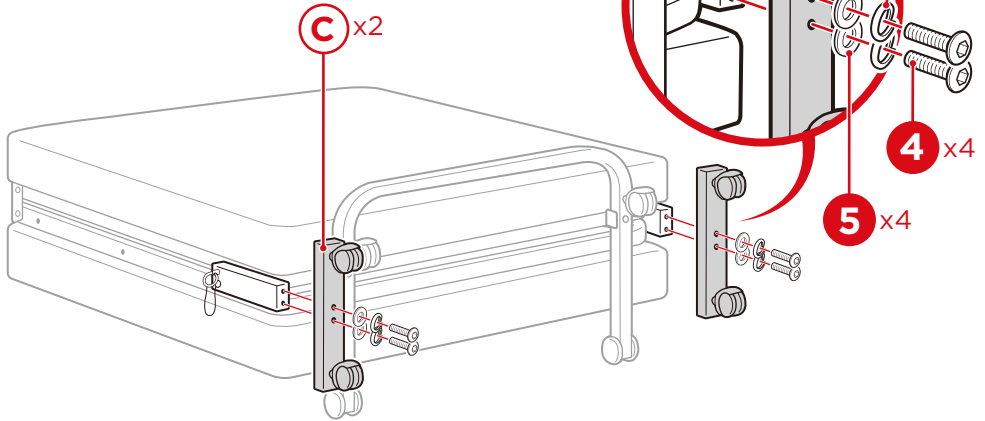
Attach the part D headboard to the top bed frame with two part 3 screws, two part 6 spring washers, two part 5 washers, and two part 13 brackets.



PRODUCT ASSEMBLY

2

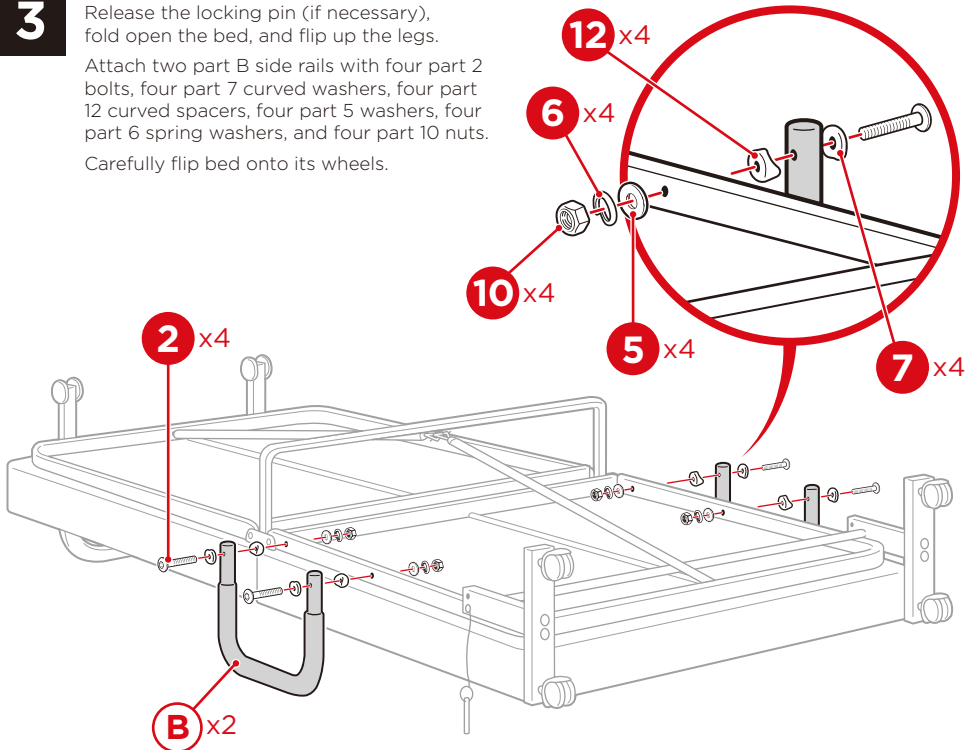
Attach two part C legs with four part 4 screws, four part 6 spring washers, and four part 5 washers.



3

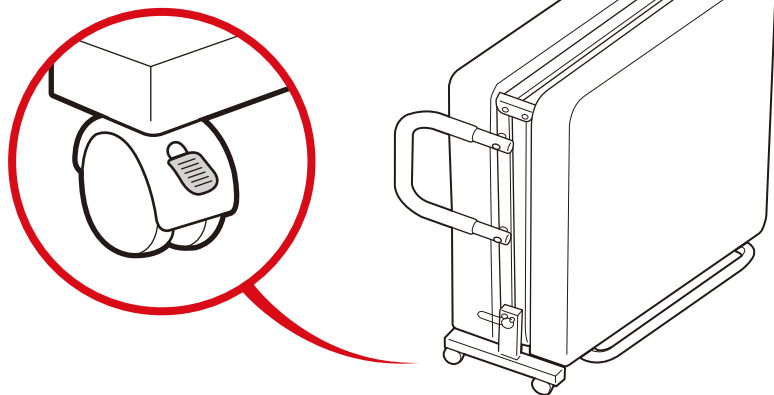
Release the locking pin (if necessary), fold open the bed, and flip up the legs.

Attach two part B side rails with four part 2 bolts, four part 7 curved washers, four part 12 curved spacers, four part 5 washers, four part 6 spring washers, and four part 10 nuts. Carefully flip bed onto its wheels.



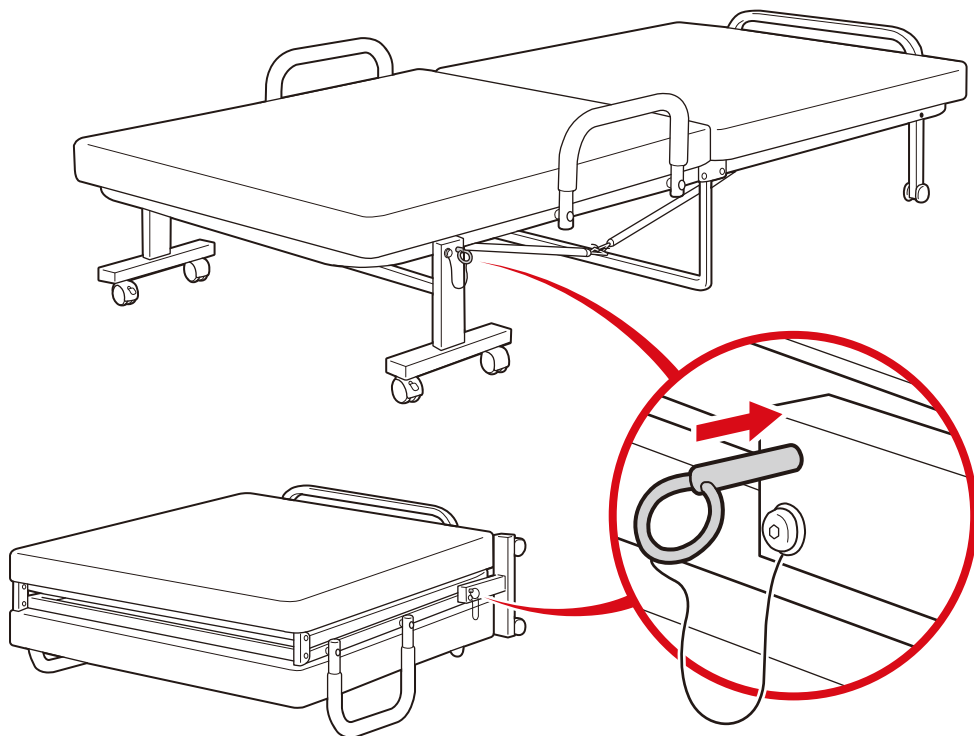
FUNCTIONS

- Bed folds for convenient storage.
- Locking casters make for added stability and easy transportation.



- Locking pin secures legs.

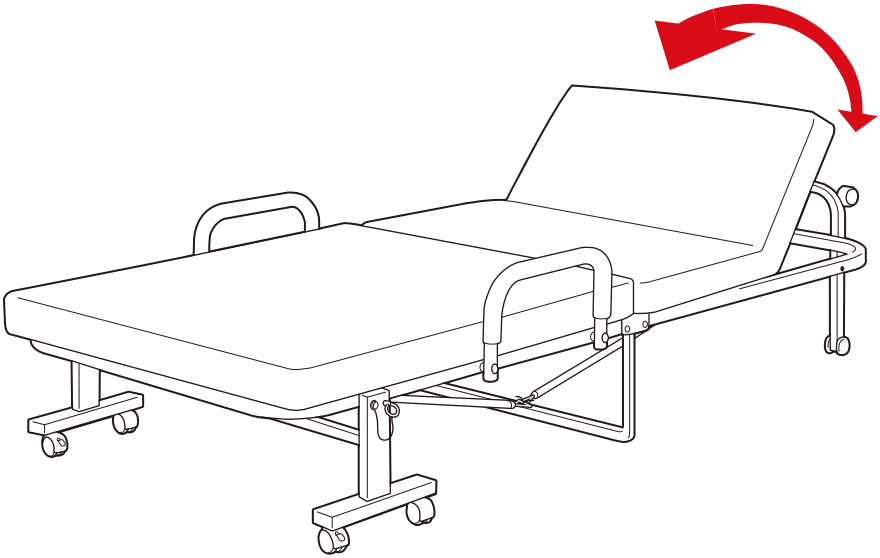
NOTE: Before use, make sure locking pin is inserted (when folded or unfolded).



ALTERNATIVE POSITIONS

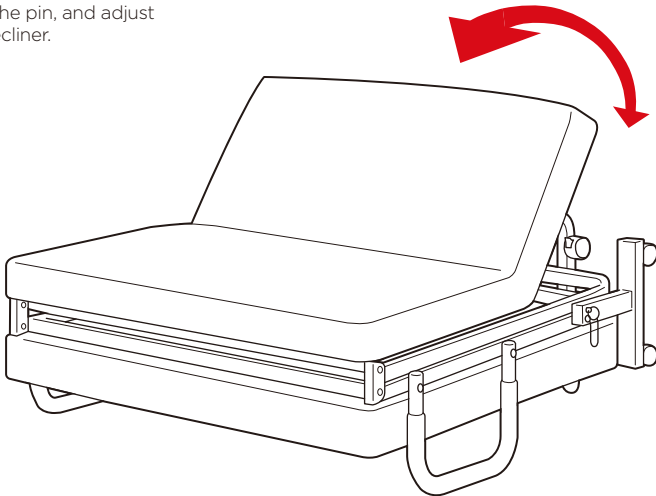
- The mattress back locks in multiple positions. To adjust the position, lift the back to your desired position.
- To return mattress to flat position, bring the back all the way forward, then lay it flat.

BED POSITION



SEAT POSITION

- Fold bed, lock the pin, and adjust the back to a recliner.





HELP CENTER



Question about your product? We're here to help. Visit us at:

help.bestchoiceproducts.com



Chat Support



Product Inquiry



Orders FAQ



Product Assembly



Returns & Refunds

PRODUCT WARRANTY INFORMATION

All items can be returned for any reason within 60 days of the receipt and will receive a full refund as long as the item is returned in its original product packaging and all accessories from its original shipment are included. All returned items will receive a full refund back to the original payment method. All returned items will not be charged a re-stocking fee.

All returned items require an RA (Return Authorization) number, which can only be provided by a Best Choice Products Customer Service Representative when the return request is submitted. Items received without an RA may not be accepted or may increase your return processing time. Once an item has been received by Best Choice Products, refunds or replacements will be processed within 5 business days.

All returns must be shipped back to the Best Choice Products Return Center at the customer's expense. If the reason for return is a result of an error by Best Choice Products then Best Choice Products will provide a pre-paid shipping label via email. Boxes for return shipping will not be provided by Best Choice Products, and is the customer's responsibility to either use the original shipping boxes or purchase new boxes.

Pictures may be required for some returns to ensure an item is not damaged prior to its return. Items returned are not considered undamaged until they are received by Best Choice Products and verified as such. All damages to items are the customer's responsibility until the item has been received by and acknowledge by Best Choice Products as undamaged.



WARNING

Manufacturer and seller expressly disclaim any and all liability for personal injury, property damage or loss, whether direct, indirect, or incidental, resulting from the incorrect attachment, improper use, inadequate maintenance, or neglect of this product.