

AC

SMITH® JAY R. SMITH MFG. CO.®
 MEMBER OF MORRIS GROUP INTERNATIONAL
 POST OFFICE BOX 3237
 MONTGOMERY, ALABAMA 36109-0237 (USA)
 TEL: 334-277-8520 FAX: 888-377-7818 www.jrsmith.com



MEMBER OF:

LOCATION

DRAWING NUMBER

S1010

SIZE

A

SCALE:

NONE

DATE:

5-24-85

APPROVED BY:

TD

CHECKED BY:

TD

DRAWN BY:

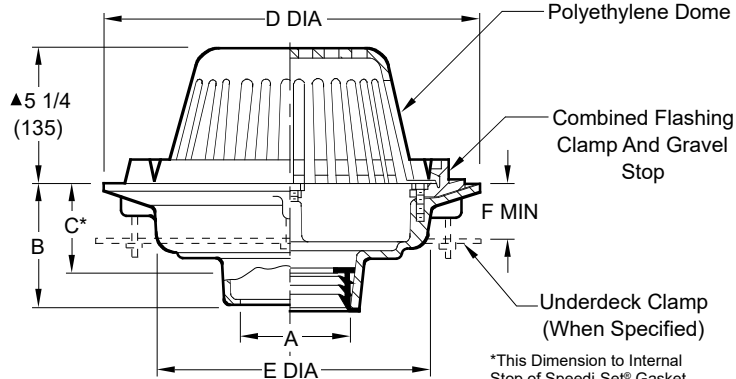
CR

1010, 1020

FIGURE NUMBER

LARGE GENERAL PURPOSE ROOF DRAINS

LOW PROFILE DOME



- Fig. 1010C ... CAULK OUTLET
- Fig. 1010Y ... NO-HUB OUTLET
- Fig. 1010T ... THREADED OUTLET

recommended deck opening

outlet size	with suffix-R	less suffix-R
02(50),03(75),04(100) 05(125),06(150)	17(430) DIA	14(355) DIA
**08(200)-16, **10(250)-16	17(430) DIA	14 3/4 (375) DIA

A SIZE	B (BOTTOM OUTLET)						SIDE OUTLET			FREE AREA SQ IN (SQ CM)
	CAULK, NO-HUB, & SPEEDI-SET®	THREADED	C	D DIA	E DIA	F MIN	G	H	J	
02(50)	5 (125)	3 3/4 (95)	3 3/4 (95)	15 1/4 (390)	11 (280)	1 1/8 (29)	4 3/4 (120)	6 (150)	10 (254)	102.5 (661)
03(75)	5 (125)	3 3/4 (95)	3 3/4 (95)	15 1/4 (390)	11 (280)	1 1/8 (29)	4 3/4 (120)	6 (150)	9 3/4 (248)	102.5 (661)
04(100)	5 (125)	3 3/4 (95)	3 3/4 (95)	15 1/4 (390)	11 (280)	1 1/8 (29)	4 3/4 (120)	6 (150)	9 5/8 (244)	102.5 (661)
05(125)	5 (125)	3 3/4 (95)	--	15 1/4 (390)	11 (280)	1 1/8 (29)	6 1/4 (160)	6 7/8 (175)	10 (254)	102.5 (661)
06(150)	5 (125)	3 3/4 (95)	--	15 1/4 (390)	11 (280)	1 1/8 (29)	6 1/4 (160)	6 7/8 (175)	7 3/4 (195)	102.5 (661)
**08(200)-16,	6 (150)	5 (125)	--	16 (405)	12 1/2 (320)	1 1/8 (29)	--	--	--	102.5(661)
**10(250)-16	(150)	(125)	--	(405)	(320)	(29)	--	--	--	▲122.5(790)

REGULARLY FURNISHED:

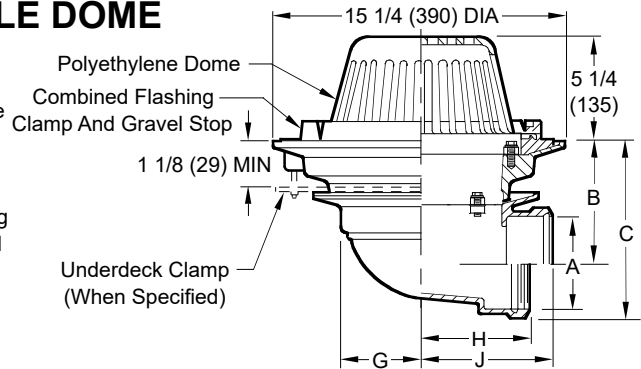
Duco Cast Iron Body with Combined Flashing Clamp and Gravel Stop with Polyethylene Dome.

▲NOTE: The dome height is 8 1/4" (210) for the 122.5 SQ IN free area dome and is regularly furnished in Cast Iron and is not available in polyethylene.

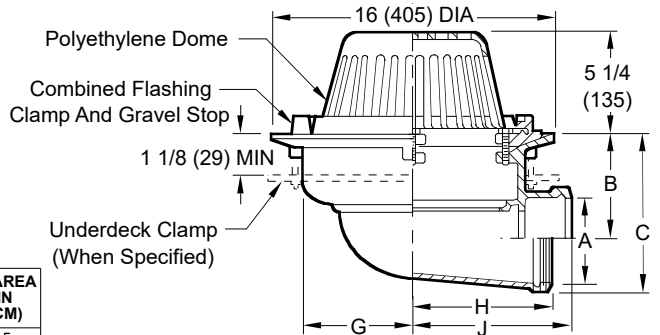
NOTE: Dimensions shown in parentheses are in millimeters.

VARIATIONS:

- Expansion Joint (Specify Fig. 1710) (Fig. 1010 only)
- Extension (Specify Height) -E
- "L" Shaped Underdeck Clamp -CL
- L Speedi-Set® Service Weight 02(50), 03(75) and 04(100)" sizes only (Fig. 1010 Only)
- LXH Speedi-Set® Extra Heavy 02(50), 03(75) and 04(100)" sizes only (Fig. 1010 only)
- NO-HUB Adaptor (Specify Fig. 2646Y) (Fig. 1020 only)
- Secondary Flashing Clamp -C2
- Sump Receiver -R
- Underdeck Clamp -C
- Vandal Proof Dome -U
- Stainless Steel Mesh Over Dome -SSM
- Roof Deck Plate -RDP



- Fig. 1020C 02(50), 03(75) & 04(100)" CAULK OUTLET
- Fig. 1020T 02(50), 03(75) & 04(100)" THREADED OUTLET



- Fig. 1020C 05(125) & 06"(150) CAULK OUTLET
- Fig. 1020T 05(125) & 06"(150) THREADED OUTLET

(SIDE OUTLET)

A SIZE	02 (50)	03 (75)	04 (100)	05 (125)	06 (150)
B	6 7/8 (175)	6 3/8 (162)	5 7/8 (149)	5 (125)	4 1/2 (115)
C	8 5/8 (219)	8 3/4 (220)	8 3/4 (220)	8 1/2 (215)	8 1/2 (215)

OPTIONAL MATERIALS:

- ▲▲ Aluminum Dome -AD
- ▲▲ Cast Iron Dome -CID
- ▲▲ Galvanized Cast Iron Dome -CIDG
- Galvanized Cast Iron Body & Collar -G
- ▲▲ Rough Bronze Dome -RBD
- Stainless Steel (Specify Fig. 9780)
- High Flow Collar and Polyethylene Dome -HFP
- High Flow Collar and Vandal Proof Polyethylene Dome -HFPU

▲▲ Optional Domes' free area are as follows:	
Dome Mat'l 02-06 & 08-16 Outlets	
Aluminum	98 (632)
Cast Iron	80 (516)
Bronze	95 (613)

AC 1-13-26

AB 9-20-24

AA 3-25-24

AZ 2-8-24

Revised Optional Materials

Revised Table

Revised Variations, Fig Opts.

Revised Optional Materials

TB

HS

HS

HS

CL

CL

CL

CL

WEIGHT

POUNDS

VOLUME

CUBIC FEET

FIGURE NUMBER

1010, 1020

REV. DATE

DESCRIPTION

BY

CKD. BY



WARNING: Cancer and Reproductive Harm - www.P65Warnings.ca.gov

D

SMITH® JAY R. SMITH MFG. CO.®
 MEMBER OF MORRIS GROUP INTERNATIONAL
 POST OFFICE BOX 3237
 MONTGOMERY, ALABAMA 36109-0237 (USA)
 TEL: 334-277-8520 FAX: 888-377-7818 www.jrsmith.com



MEMBER OF:



LOCATION

LARGE GENERAL PURPOSE ROOF DRAIN

DRAWING NUMBER
S1010(BackSheet)

SIZE
A

SCALE:
NONE

DATE:
3-13-13

APPROVED BY:
CL

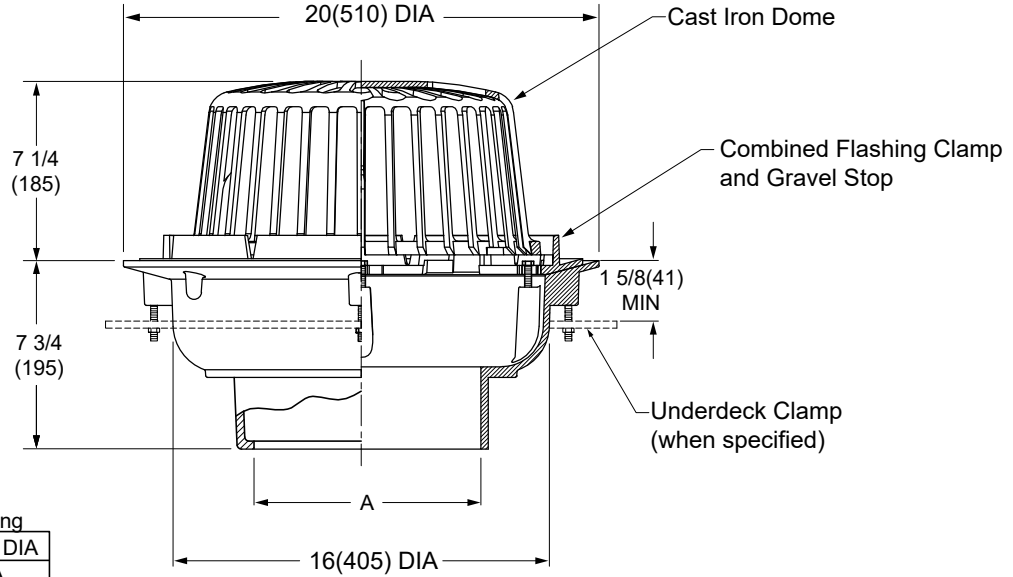
CHECKED BY:
CL

DRAWN BY:
TBW

1010(Back Sheet)

WE CAN ASSUME NO RESPONSIBILITY FOR USE OF SUPERSEDED OR VOID DATA
DIMENSIONS ARE SUBJECT TO MANUFACTURERS TOLERANCE AND CHANGE WITHOUT NOTICE

FREE AREA
228 SQ IN
(1471 SQ CM)



recommended deck opening
less suffix -R 18 3/4(475) DIA
with suffix -R 21(535) DIA

A (PIPE SIZE) = 08(200), 10(250) or *12(305)
*12(305) outlet size available in No-Hub only.

- FIG.1010CCAULK OUTLET
- FIG.1010YNO-HUB OUTLET
- FIG.1010TTHREADED OUTLET

REGULARLY FURNISHED:

Duco Cast Iron Body with Combined Flashing Clamp and Gravel Stop and Cast Iron Dome.

VARIATIONS:

- Extension (Specify Height) -E
- Secondary Flashing Clamp -C2
- Sump Receiver -R
- Underdeck Clamp -C
- "L" Shaped Underdeck Clamp -CL
- Vandal Proof Dome -U
- Stainless Steel Mesh Over Dome -SSM
- Roof Deck Plate -RDP

OPTIONAL MATERIALS:

- Aluminum Dome -AD
- Galvanized Cast Iron -G
- Galvanized Cast Iron Dome Only -CIDG

NOTE: Dimensions shown in parentheses are in millimeters.

D	3-25-24	Revised Variations	HS	CL	WEIGHT POUNDS	VOLUME CUBIC FEET	FIGURE NUMBER 1010(Back Sheet)
C	7-18-23	Removed Fuction, Changed B.S.	HS	CL			
B	7-30-19	Removed NOTE	MW	CL			
A	8-3-15	Added Flow Rate Note	TBW	BW			
REV.	DATE	DESCRIPTION	BY	CKD. BY			