



# Assembly & Installation Instructions

**CAUTION:** Read instructions carefully and turn electricity off at main circuit breaker panel before beginning installation.

## 6001, 6002

\*\*\*\*\*  
**WARNING** - If any Special Control Devices are used with this Fixture, Follow the Instructions Carefully to assure full compliance with N.E.C. requirements. If there are any questions, contact a Qualified Electrical Contractor.

**WARNING** - This product contains chemicals known to the State of California to cause cancer, birth defects and /or other reproductive harm. Thoroughly wash hands after installing, handling, cleaning, or otherwise touching this product.

**WARNING** - To comply with the National Electric Code and Underwriters Laboratories requirements, when installed outdoors, or in wet locations, the top and 2 sides of the wall plate coming in contact with the mounting surface, and the fixture mounting cap nuts, must be sealed with a latex waterproof caulking to prevent water from entering the outlet box.

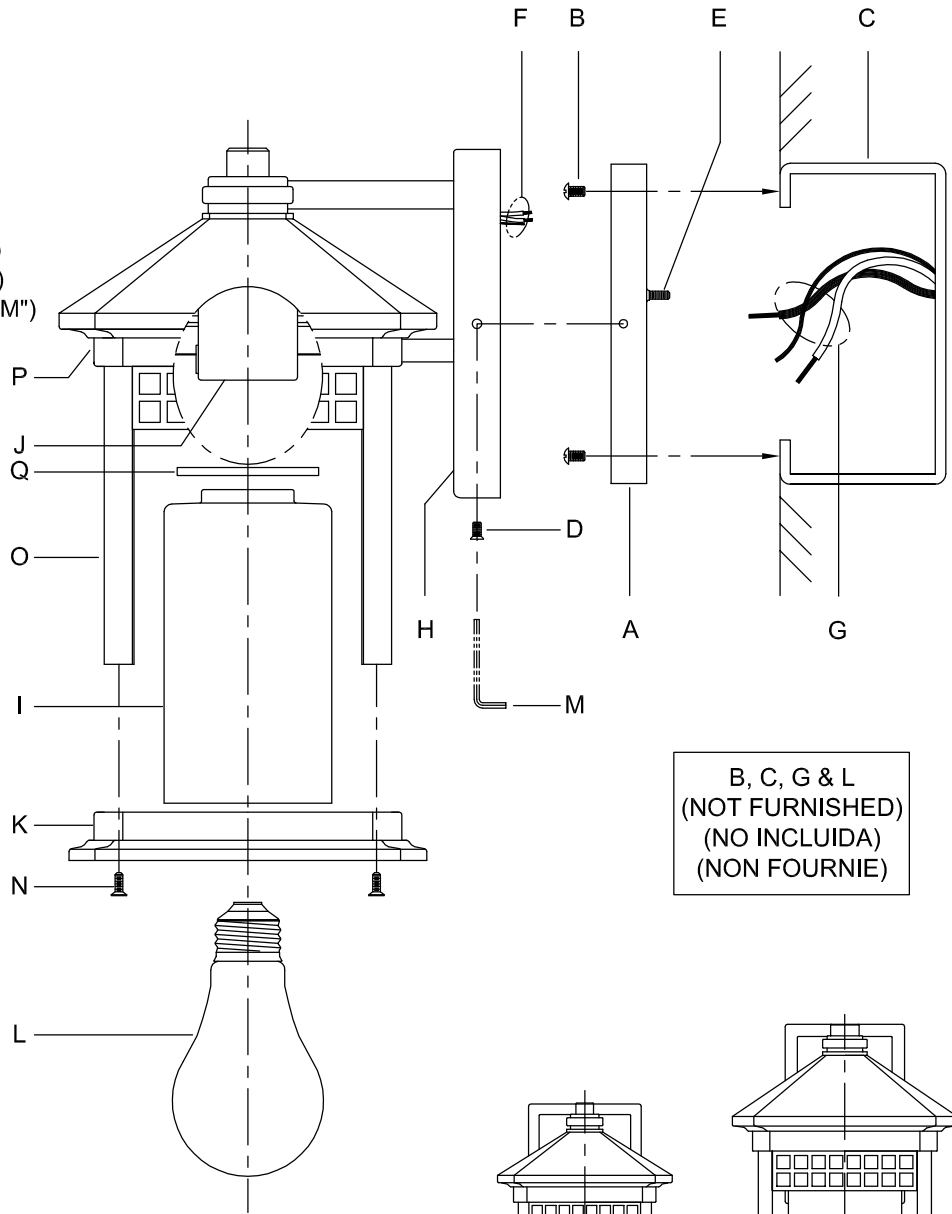
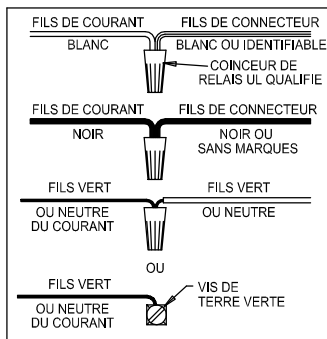
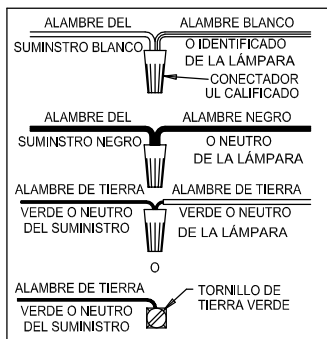
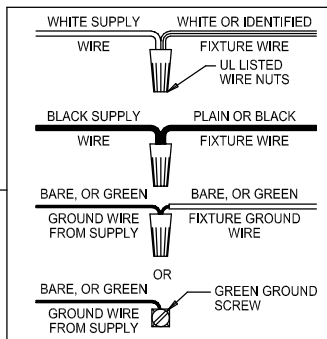
**CAUTION** - All glass is fragile, use care when handling Glass component(s) and or Lamp(s).

\*\*\*\*\*

**ASSEMBLY STEPS:**  
**PASOS PARA ENSAMBLAR:**  
**MODE D'ASSEMBLAGE:**

1. E → A
2. B,A → C
3. F → G
4. H → A
5. D → H,A (USE "M")
6. I,Q → P (USO "M")
7. N,K → O (USAGE "M")
8. L → J

(USE "M")  
 (USO "M")  
 (USAGE "M")



B, C, G & L  
 (NOT FURNISHED)  
 (NO INCLUIDA)  
 (NON FOURNIE)

