

Installation Instructions

Beverage Faucet

Record your model number:
Noter le numéro de modèle:
Anoté su número de modelo: _____

Français, page 8
Español, página 14

KOHLER[®]

Thank You for Choosing KOHLER

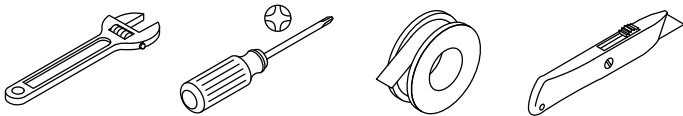
Need help? Contact our Customer Care Center.

- USA/Canada: 1-800-4KOHLER (1-800-456-4537) Mexico: 001-800-456-4537
- Service parts: kohler.com/serviceparts
- Care and cleaning: kohler.com/clean
- Patents: kohlercompany.com/patents

Warranty

This product is covered under the KOHLER® Faucet Lifetime Limited Warranty, found at kohler.com/warranty. For a hardcopy of warranty terms, contact the Customer Care Center.

Tools and Materials



Sealant Tape Utility Knife

Plus:

- 3/8" x 1/4" Push-to-Connect Union (for some filtration systems)

Before You Begin

⚠ CAUTION: Risk of fresh water contamination. This faucet contains back-siphonage protection. To prevent water contamination, do not remove any internal components.

NOTE: For all installations, install the faucet with the handle on the right side only.

NOTE: For thin-wall kitchen sink decks, consider installing a 1/2" (13 mm) plywood support.

NOTE: Air gap functionality and hoses are used when required for reverse osmosis installations. If an air gap is not required, the hoses can be coiled and tucked out of the way or cut and removed.

NOTE: The integrated air gap is designed for the waste water generated by a reverse osmosis filtration system. The integrated air gap cannot be used for waste water from a dishwasher or other device that requires a higher flow waste air gap.

Follow all local plumbing and building codes.

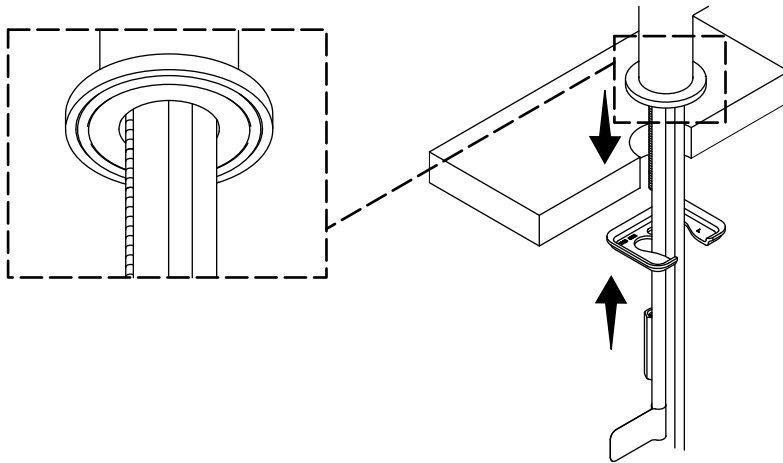
If possible, install the faucet to the sink before installing the sink.

Inspect the hoses for any signs of damage. Replace if necessary.

Turn OFF the cold water supply.

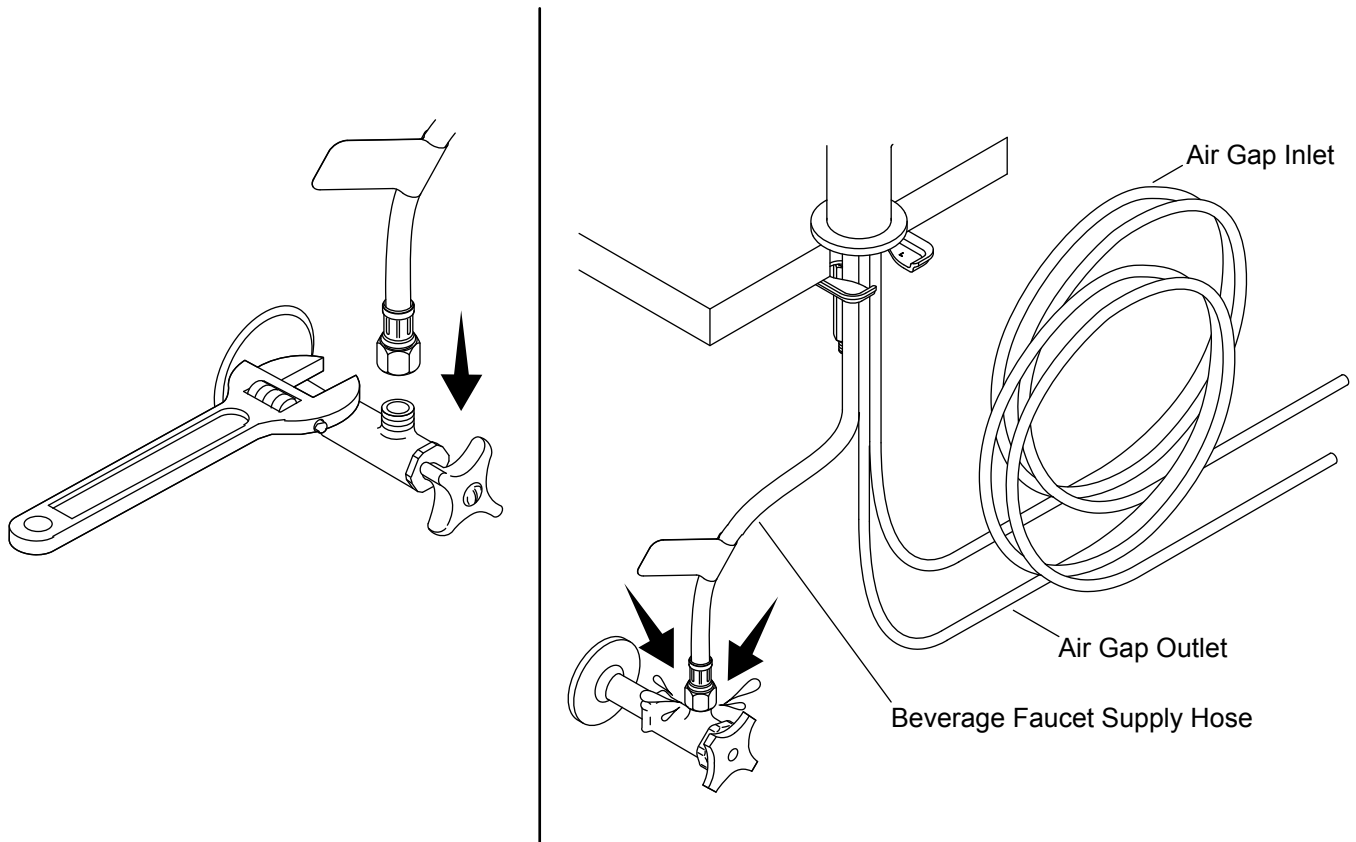
For installation with Reverse Osmosis Filtration Systems, please refer to specific installation guides for those units.

1. Install the Faucet



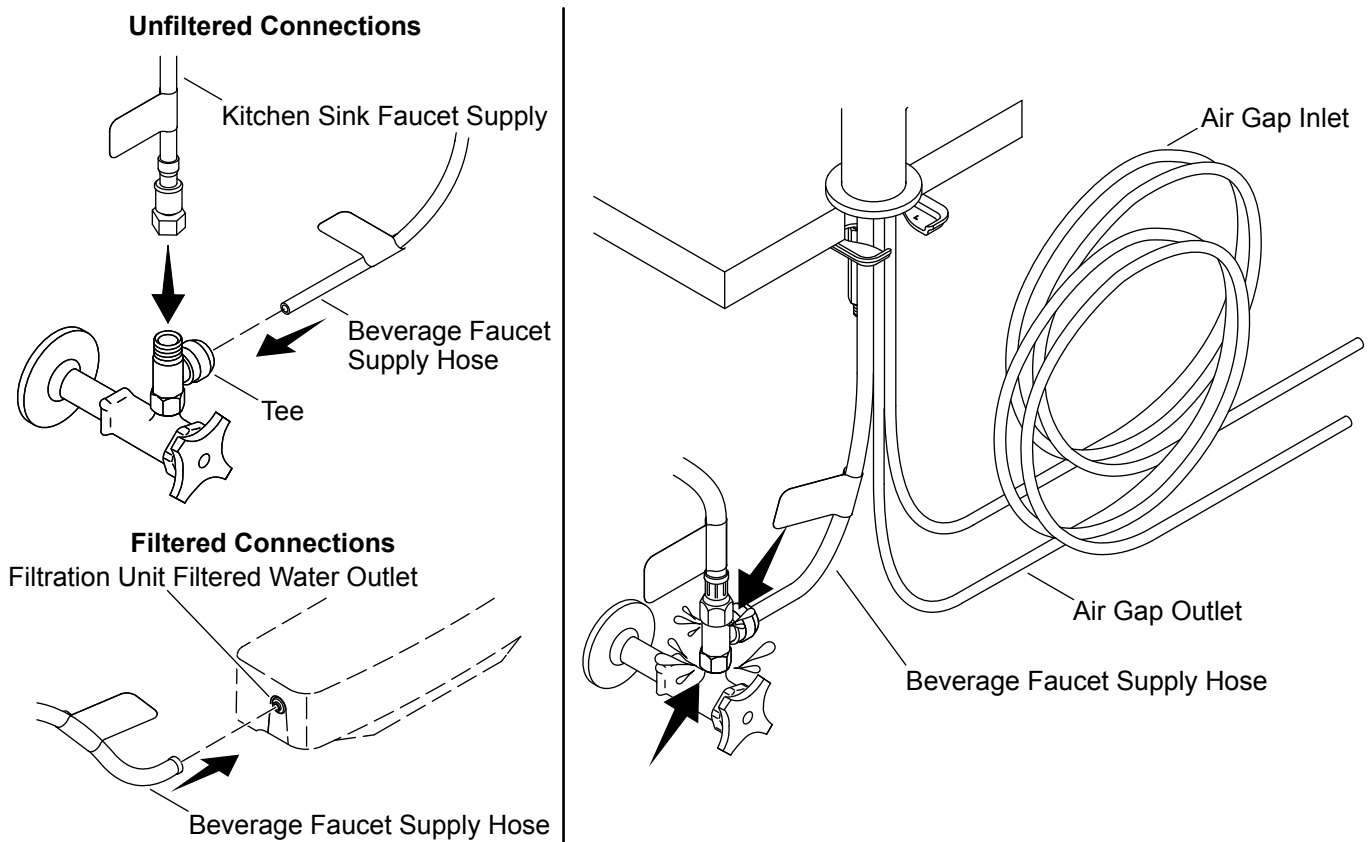
- Verify that the seal plate or O-ring is secure in the bottom of the faucet body.
- Install the faucet to the sink with the bracket and lug nut.

2. Threaded Connections - Connect the Supply Hose



- Connect the beverage faucet supply hose to the cold water supply or tee with the threaded nut.
- Check all connections for leaks.
- Unused air gap hoses can be cut or coiled and stowed away. Cutting the hoses will limit future upgrades to a reverse osmosis filtration system.

3. Quick Connect Hose - Connect the Supply Hose



NOTE: A 3/8" x 1/4" union (not included) may be required depending on the filtration system used.

Unfiltered Connections

- Cut the end of the beverage faucet supply hose and remove the nut. Verify that the cut end of the beverage faucet supply hose is straight and free of burrs.
- Connect the beverage faucet supply hose to the tee.

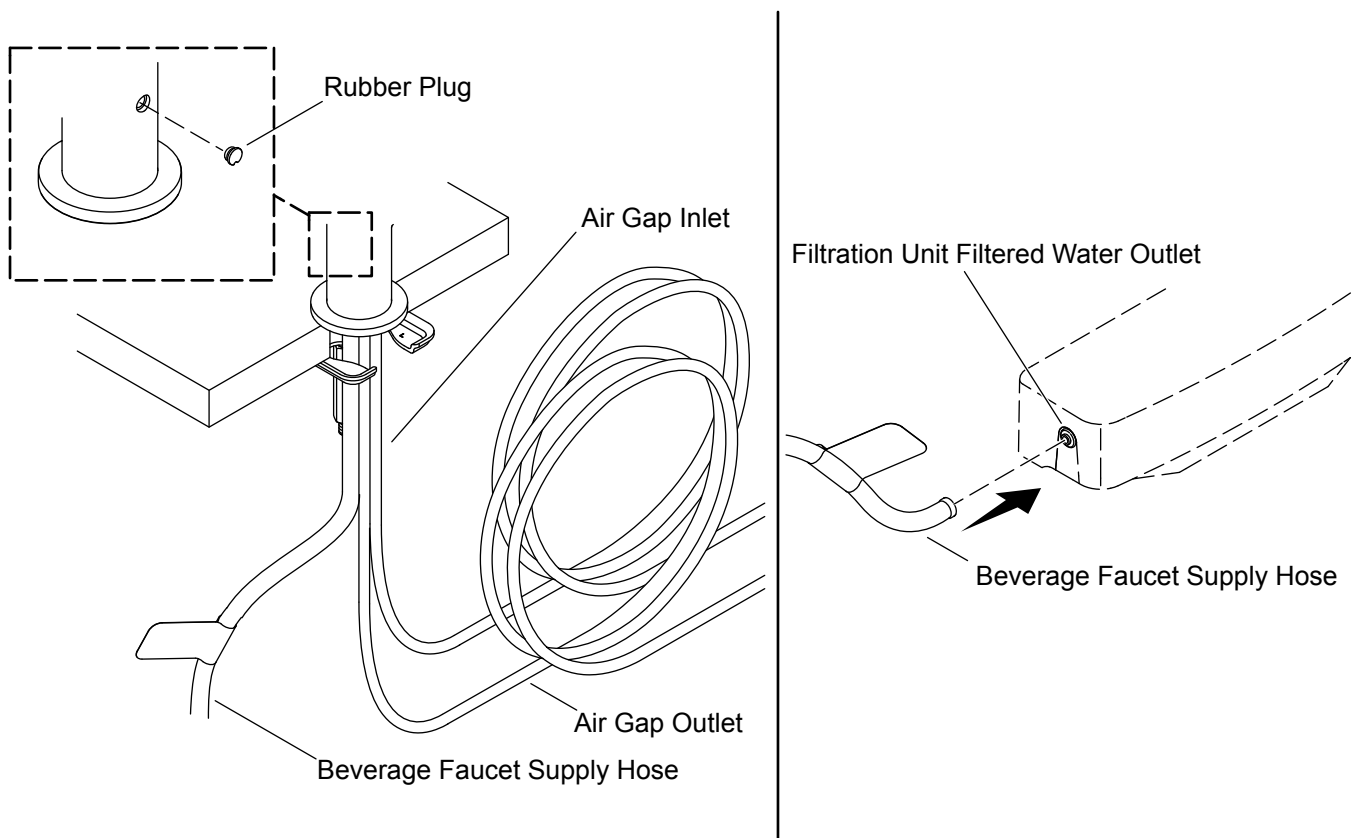
Filtered Connections

- Cut the end of the beverage faucet supply hose and remove the nut. Verify that the cut end of the beverage faucet supply hose is straight and free of burrs.
- Connect the beverage faucet supply hose to the filtration unit.
- Push the beverage faucet supply hose completely into the filtration unit filtered water outlet.

All Connections

- Check all connections for leaks.
- Unused air gap hoses can be cut or coiled and stowed away. Cutting the hoses will limit future upgrades to a reverse osmosis filtration system.

4. Reverse Osmosis Connections - Connect the Supply Hose



NOTE: A 3/8" x 1/4" union (not included) may be required depending on the filtration system used.

Connect the Supply Hose to the Filtration Unit

- Cut the end of the beverage faucet supply hose and remove the nut. Verify that the cut end of the beverage faucet supply hose is straight and free of burrs.
- Push the beverage faucet supply hose completely into the filtration unit filtered water outlet. Verify that the connection is secure.

Connect the Air Gap Hoses

NOTE: Refer to the filtration unit for the waste connection and drain saddle connections.

- Route the air gap inlet hose (red) to the reverse osmosis system waste connection without any loops or low spots. Verify that the waste connection is secure.
- Route the air gap outlet hose (grey) from the faucet to the drain saddle connection or drain line adapter. Cut the air gap outlet hose (grey) and route to avoid any loops or low spots. Verify that the connection is secure.

Complete the Installation

- Remove the rubber plug from the back of the faucet.
- Check all connections for leaks.