



**Sunstruck®**  
60" x 34" freestanding bath with Bask® heated surface  
and fluted shroud  
**K-24002-W1**

### Features

- Bask® heated surface creates spa-like relaxation with soothing warmth on your back, shoulders, and neck
- Three heat settings allow you to customize the surface temperature
- Freestanding design creates a striking focal point in your bathing area
- 16" (406 mm) depth offers a deep soaking experience
- Integral lumbar support
- Textured bottom surface
- Wide ledge on one side is ideal for deck-mount faucet and/or handshower
- Fluted shroud

### Material

- Acrylic

### Installation

- Center drain
- Freestanding
- PureFlo drains are not recommended for a deck-mount faucet installation

### Required Products/Accessories

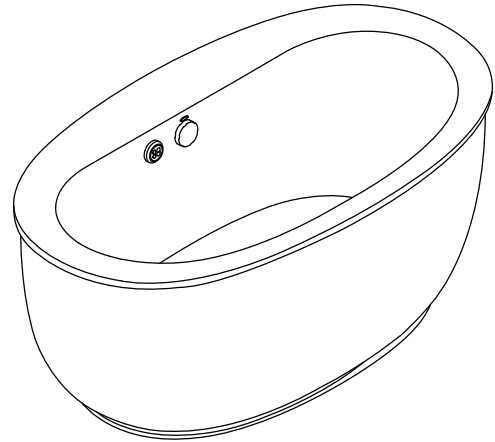
K-T37391 Rotary-turn bath drain trim  
K-T37392 Rotary-turn bath drain trim

or

K-78438 30" cable bath drain

### Recommended Products/Accessories

K-T37393 Traditional rotary-turn bath drain trim  
K-T37395 Bath drain trim  
K-T37396 Traditional push-button bath drain trim  
K-7265 Brass toe tap bath drain  
K-23726 Drain treatment



### Codes/Standards

CSA B45.5/IAPMO Z124  
ASTM E162  
ASTM E662  
UL 1795  
CSA C22.2 No. 218.2  
cUL Listed  
UL Listed

### KOHLER® One-Year Limited Warranty

See website for detailed warranty information.

### Available Colors/Finishes

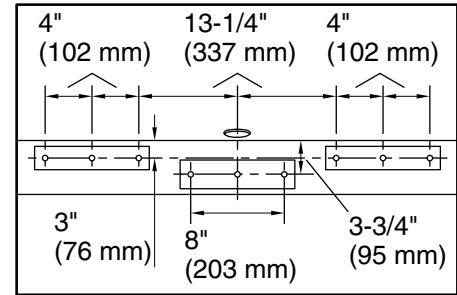
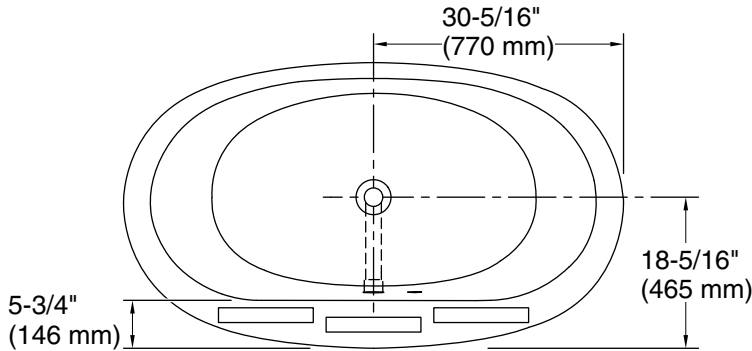
*Color tiles intended for reference only.*

Color	Code	Description
-------	------	-------------

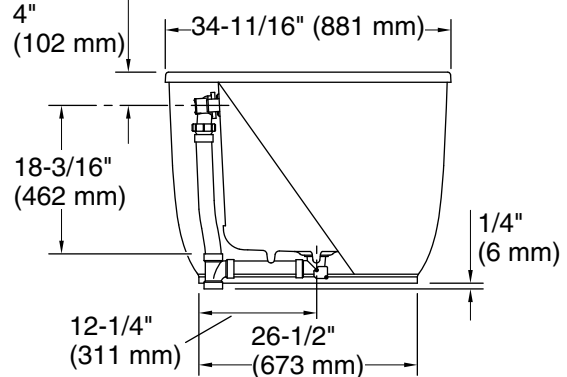
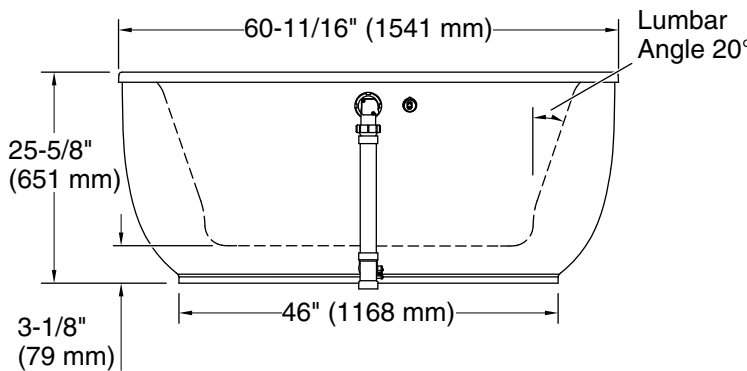
	0	White
---	---	-------

No change in measurements if connected with drain illustrated. (K-37386)

☐ Recommended Faucet Location



Recommended Faucet Hole Location



## Required Electrical Service

One circuit required, protected with Class A Ground-Fault Circuit-Interrupter (GFCI). Outside North America, this device may be known as a Residual Current Device (RCD).

Heated Surface: 120 V, 15 A, 60 Hz

## Technical Information

All product dimensions are nominal.

Drain location: Center  
 Basin area, bottom: 39-5/8" x 23-5/8" (1006 mm x 599 mm)  
 Basin area, top: 49-9/16" x 25-1/2" (1259 mm x 648 mm)  
 Weight: 170 lbs (77.1 kg)  
 Minimum floor load: 49.8 lbs/ft<sup>2</sup> (243.1 kg/m<sup>2</sup>)  
 Water depth: 16" (406 mm)  
 Water capacity: 60 gal (227.1 L)  
 Template: Footprint, 1364288, not required, not included  
 Electrical component rating: Heated Surface: 120 V, 0.5 A, 50/60 Hz, 65 W

## Notes

Measure your actual product for rough-in details.

Install this product according to the installation instructions.

The hot water supply should be 70% of the capacity of the bath or greater. Installations will vary.

If installing a rim-mount faucet, make sure there is no interference above or below the deck before drilling any holes.