

Installation Instructions

Floor-Mount Bath Faucet

Record your model number:

Noter le numéro de modèle:

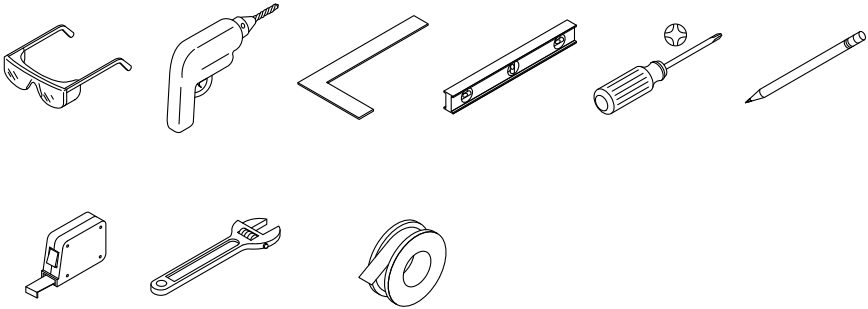
Anote su número de modelo: _____

Français, page 15

Español, página 29

KOHLER®

Tools and Materials



Thread Sealant Tape

Plus:

- 3/16" Masonry Bit (for concrete installation)
- Conventional Woodworking Tools and Materials
- Plumbing Tools and Materials

Thank You for Choosing KOHLER

Need help? Contact our Customer Care Center.

- USA/Canada: 1-800-4KOHLER (1-800-456-4537) Mexico: 001-800-456-4537
- Service parts: [kohler.com/serviceparts](https://www.kohler.com/serviceparts)
- Care and cleaning: [kohler.com/clean](https://www.kohler.com/clean)
- Patents: [kohlercompany.com/patents](https://www.kohlercompany.com/patents)

Warranty

This product is covered under the **KOHLER® Faucet Lifetime Limited Warranty**, found at [kohler.com/warranty](https://www.kohler.com/warranty). For a hardcopy of warranty terms, contact the Customer Care Center.

Important Information



CAUTION: Risk of personal injury. Do not use the floor-mount bath faucet as a grab bar or support bar when entering or exiting the bath. The floor-mount bath faucet is not designed to support weight.

NOTICE: To avoid damage to the O-rings on the bottom of the faucet, keep the faucet vertical during installation.

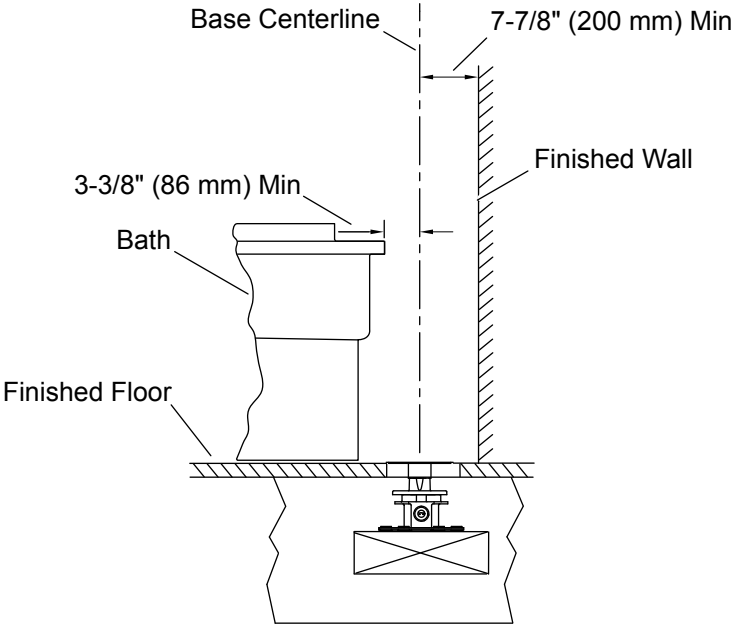
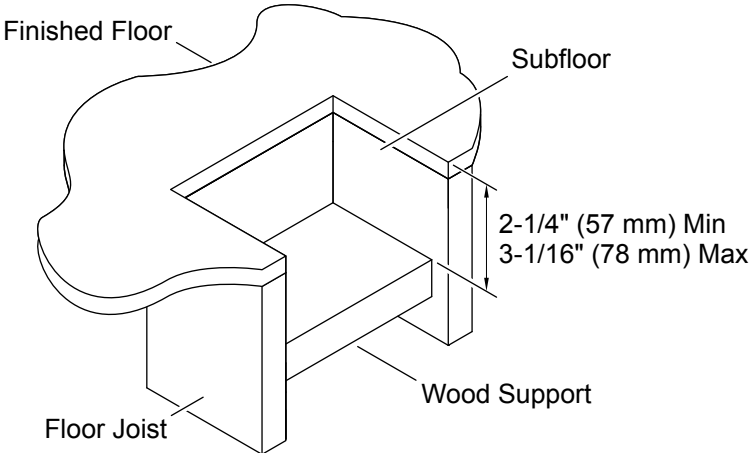
NOTE: A minimum operating pressure of 45 psi (310 kPa) is required for proper operation. If a pressure of less than 45 psi (310 kPa) is present, contact a plumber or choose another faucet.

Follow all local plumbing and building codes.

The faucet shown in this Installation Instructions may differ from your actual product. The installation steps still apply.

- Turn OFF the water supply.
- A drill bit is provided for installation to wood support. Use an appropriate drill bit for other materials.
- The dimensions given assume that the spout and bath are mounted on the same surface. Adjust the dimensions accordingly if the spout and bath are mounted on different surfaces.
- If this product is installed with an overflowing bath, the outer rim of the bath should slightly overlap the 2x4 framing.
- Installer-supplied copper tubing must be 5/8" OD (1/2" Nominal).
- Carefully review this Installation Instructions and all appropriate roughing-in information. Design the bath enclosure accordingly.

1. Prepare the Site



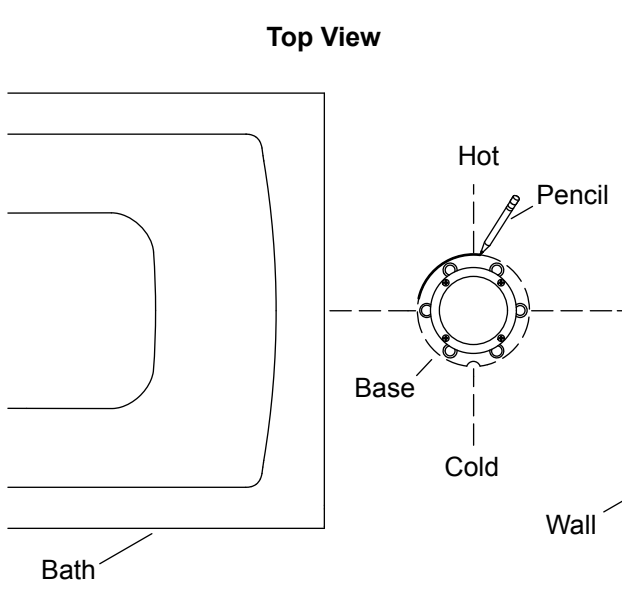
NOTICE: Adequate floor support is required. Standard 2x6 lumber is NOT sufficient for this application.

NOTE: The wood support must be a minimum of 2" (51 mm) thick by 6" (152 mm) wide.

NOTE: Concrete can be used as the floor support, as long as the faucet base will be below the finished floor level.

- Plan out the bath filler placement based on the dimensions above.
- Cut a hole in the subfloor that is large enough to install the wood support between two floor joists.
- Secure a wood support located 2-1/4" (57 mm) to 3-1/16" (78 mm) below the top of the finished floor.

2. Spout Orientation

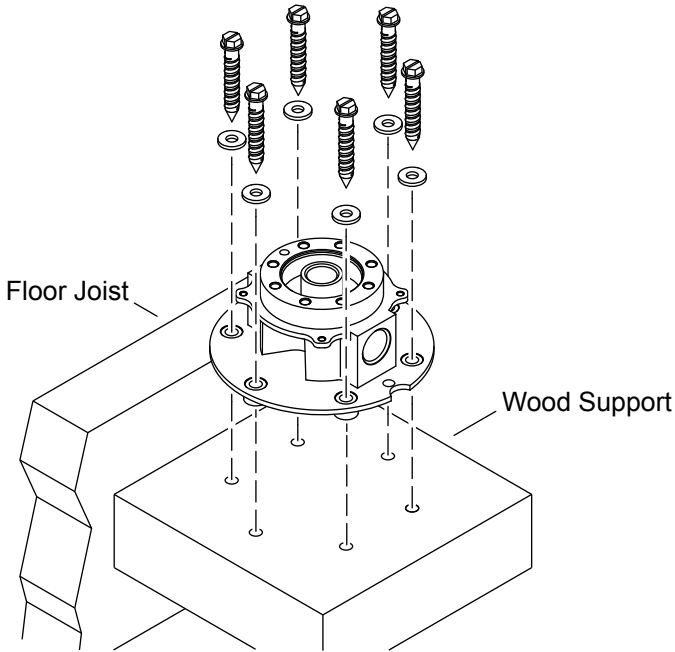


NOTE: Verify correct spout orientation before securing the base to the wooden support.

NOTE: The base has a blue mark and a notch on the cold supply side.

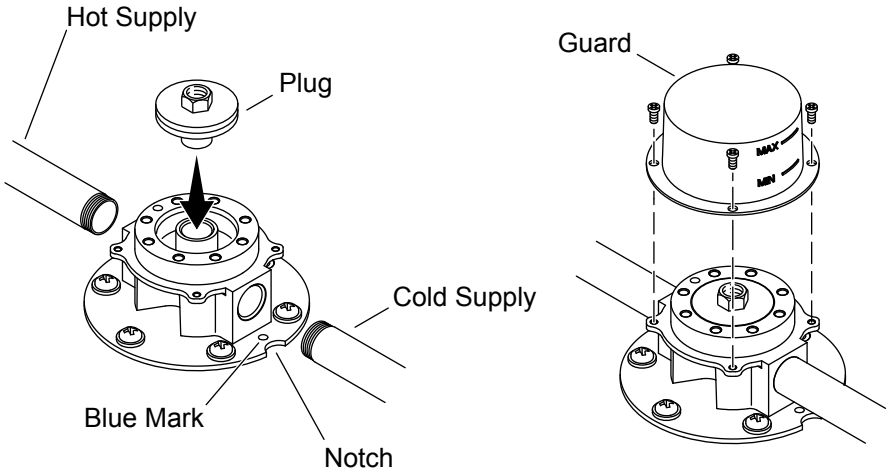
- Orient the base with the cold supply side notch placed in the direction shown.
- If possible, dry fit the faucet to the base using the screws and washers. Orient the spout to the inside of the bath.
- If the faucet is not available at this time, verify that the base is positioned so water from the spout will properly flow into the bath.
- Mark the mounting-hole locations on the wooden support.
- Mark the orientation of the base, and where the notch is positioned on the wooden support.

3. Install the Base



- If attached, remove the faucet from the base.
- Drill 1-1/2" (38 mm) deep holes with a 3/16" drill bit (provided) using the marked locations as the centerpoint.
- If using concrete as the floor support, use a 3/16" masonry bit (not provided) to drill 1-1/2" (38 mm) deep holes at the marked locations.
- Realign the base to the marked position. Verify that the cold supply notch is in the correct orientation.
- Secure the base to the support with the provided screws and washers.
- Verify that the base is level, and tighten the screws.

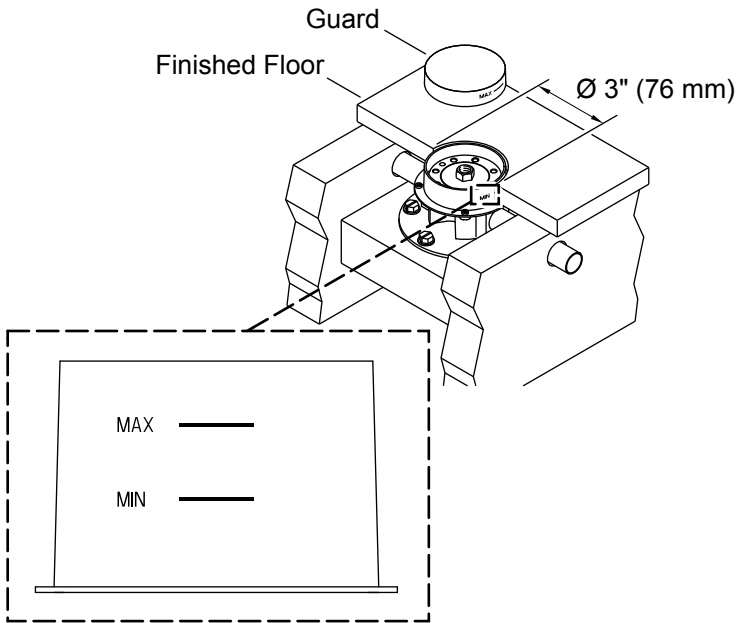
4. Connect the Supplies



NOTE: The base has a blue mark and a notch on the cold supply side.

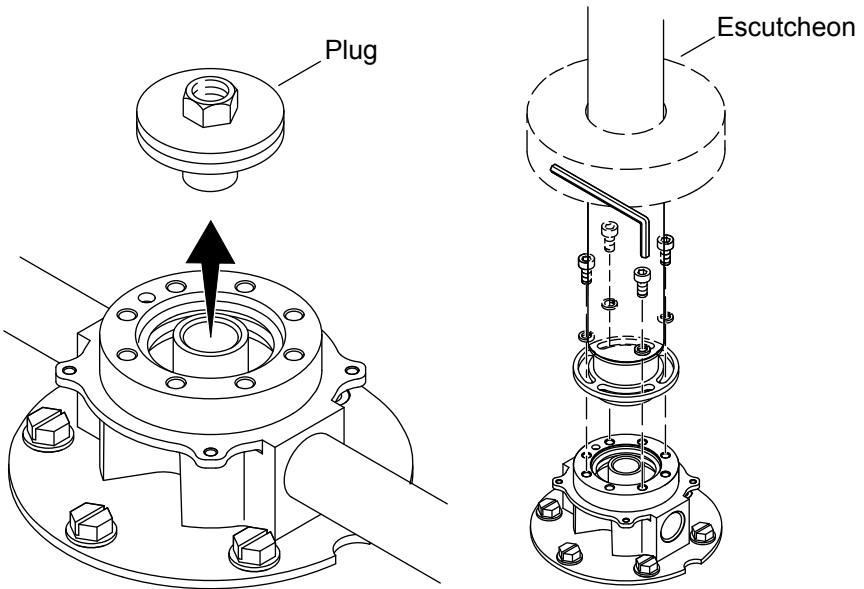
- Apply sealant tape to the threads of the 1/2 NPT hot and cold supply pipes. Thread the pipes into the base.
- Insert the plug into the base.
- Turn ON the water supply and check for leaks.
- Turn OFF the water supply.
- Secure the guard to the base with the provided screws.

5. Install the Finished Floor



- Finish the floor, leaving a 3" (76 mm) diameter hole for the guard.
- Complete the finished floor between the Min and Max lines.
- Cut the guard flush with the finished floor.

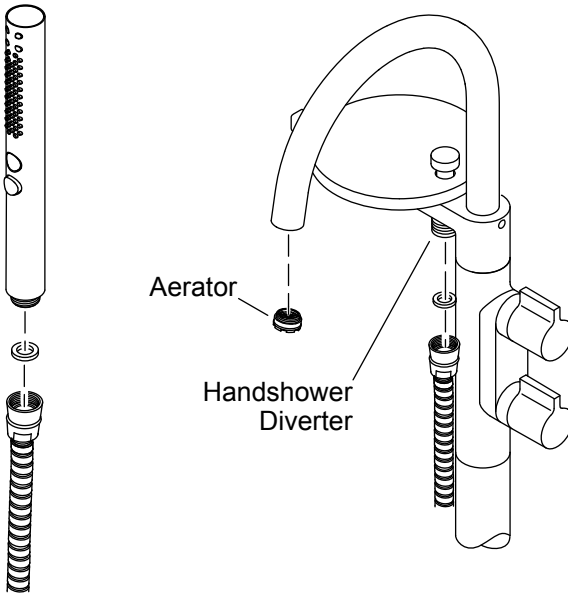
6. Install the Faucet



NOTE: Keep the faucet vertical during installation to avoid damaging the faucet O-rings.

- Verify that the water is turned OFF.
- Carefully relieve the water pressure.
- Remove the plug from the base.
- Remove the rubber protector (not shown) from the faucet.
- Verify that the base is completely free of dirt and debris.
- Secure the faucet to the base with the screws and washers (provided). Tighten the screws using the hex wrench provided.
- Slide the escutcheon down onto the floor to cover the base.

7. Installation Checkout



Install the Handshower Hose

- Install the handshower hose to the handshower diverter.

Flush Debris and Check for Leaks

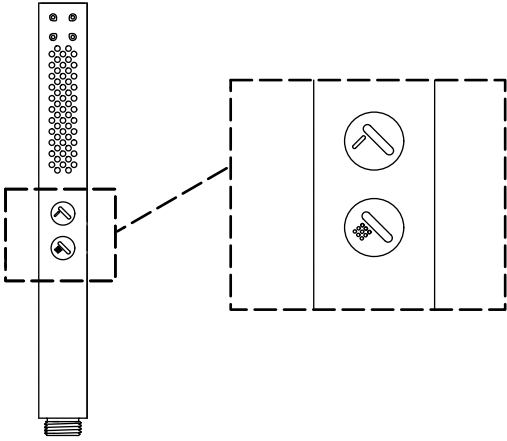
- Verify that the faucet handle is in the OFF position.
- Remove the aerator from the spout.
- Turn ON the water supply and check for leaks.
- Point the hose into the bath, and turn the faucet handle to the ON position.
- Pull out the diverter to route water through the hose and remove debris.
- Turn OFF the faucet to reset the diverter.
- Turn ON the faucet and run hot and cold water through the spout to remove debris.
- Check for leaks.

- Turn OFF the faucet.
- Reinstall the aerator.

Install the Handshower

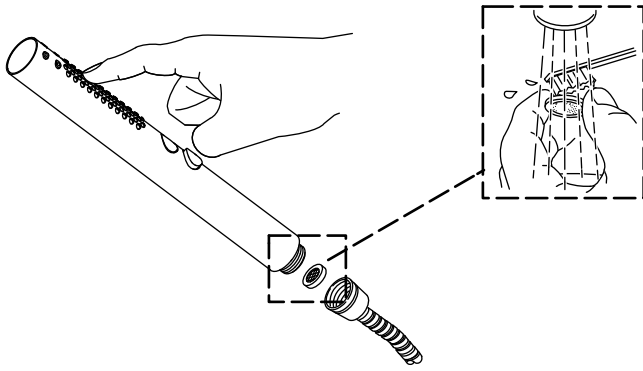
- Install the handshower to the hose.
- Position the handshower in the handshower holder.

Using the Handshower



- Press the buttons to select your desired handshower spray option.

Handshower Maintenance



Clean the Nozzles

- Run water through the handshower.
- Firmly rub your finger back and forth across the spray nozzles on the handshower face.

Clean the Screen Washer

- Use a wrench to remove the handshower from the shower hose.
- Use a thin, flat-blade screwdriver to carefully pry up the edge of the screen washer.
- Remove the screen washer. Do not try to remove the flow control.
- Clean the screen washer to dislodge debris and mineral build-up.
- Reinstall the screen washer.
- Reinstall the handshower to the shower hose.