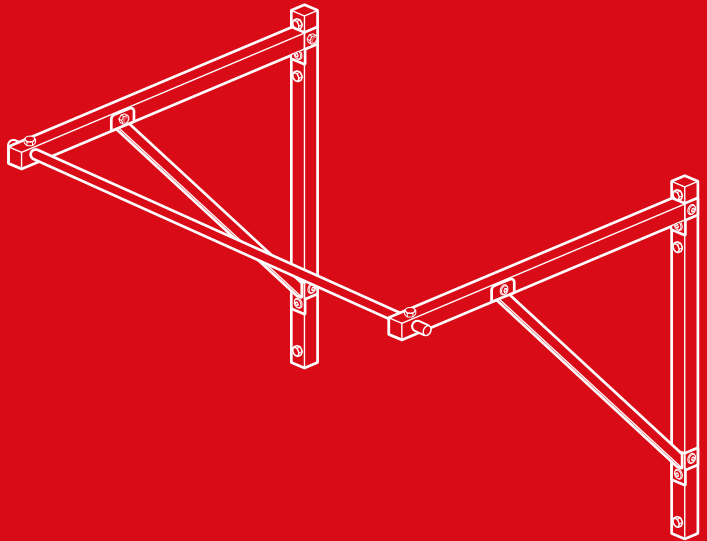




bestchoiceproducts



INSTRUCTION MANUAL

Wall Mounted Pull-Up Bar

! NOTICE

Please retain these instructions for future reference.

- For added stability, attach pull-up bar to wood beams within the wall.
- Please do not exceed the weight limitations of this item.
- Firmly secure all bolts, screws and knobs before use.
- Reconfirm that all bolts, screws, and knobs are secure every 90 days.
- Be aware that some parts are heavy and have sharp edges.
- If any parts are missing, broken, damaged, or worn, stop using this product until repairs are made and/or factory replacement parts are installed.
- Do not use this item in a way inconsistent with the manufacturer's instructions as this could void the product warranty.

TOOLS REQUIRED



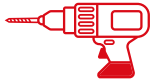
WRENCH
(PROVIDED)



ALLEN WRENCH
(PROVIDED)



HAMMER



DRILL &
DRILL BIT



PENCIL & RULER
(OPTIONAL)



330 LBS
CAPACITY



1 PERSON
ASSEMBLY



APPROXIMATELY
30 MIN.
ASSEMBLY

HARDWARE

1-1

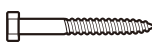
WALL
ANCHOR



6 PCS

1-2

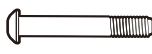
M8 x 80mm
SCREW



6 PCS

2

M8 x 55mm
BOLT



4 PCS

3

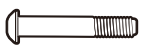
M10 x 20mm
SCREW



2 PCS

4

M8 x 45mm
BOLT



2 PCS

5

M8 x 20mm
SCREW



6 PCS

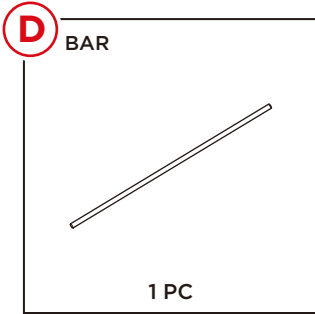
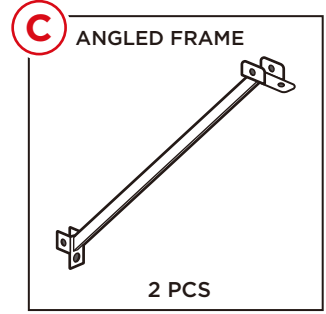
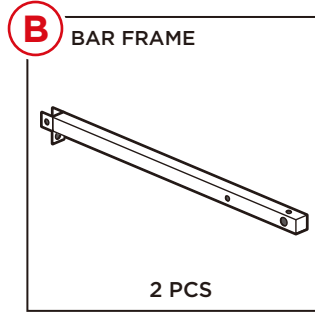
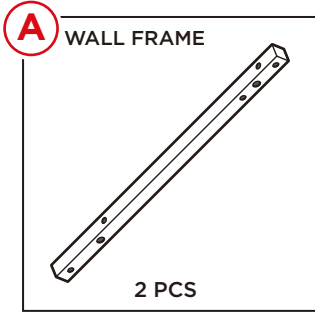
6

M8 NUT



6 PCS

PARTS

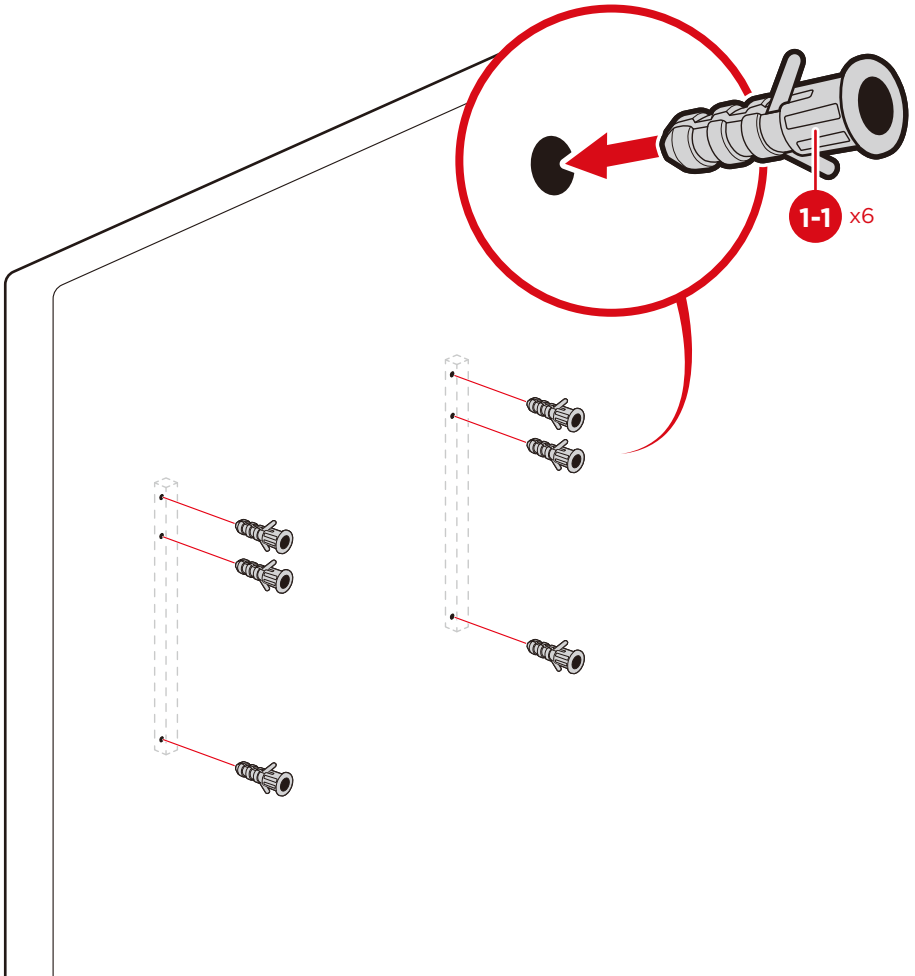


PRODUCT ASSEMBLY

1

Line up two part A wall frames; make sure the frames are level and arranged parallel to each other. Use the pencil and ruler to mark the desired mounting location.

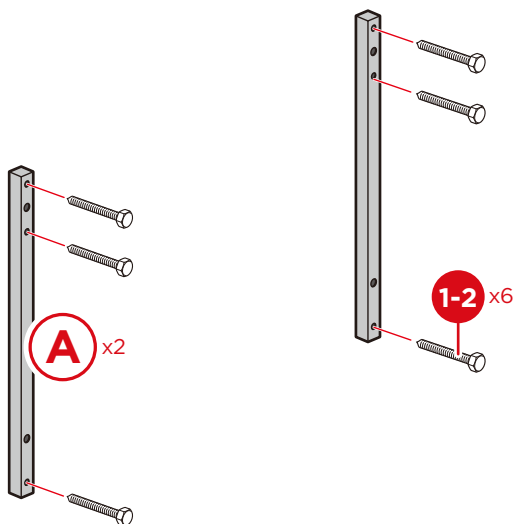
Use an electric drill to drill six screw holes. Use a hammer to insert six part 1-1 wall anchors into the holes.



PRODUCT ASSEMBLY

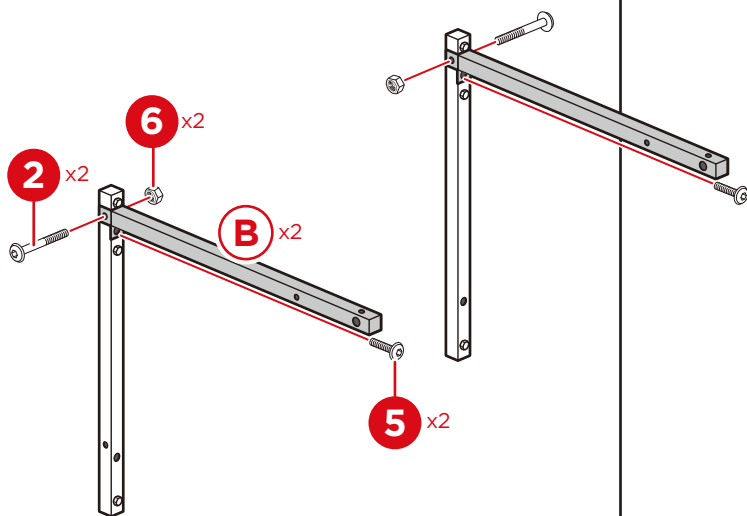
2

Attach the wall frames by screwing six part 1-2 screws into the wall anchors.



3

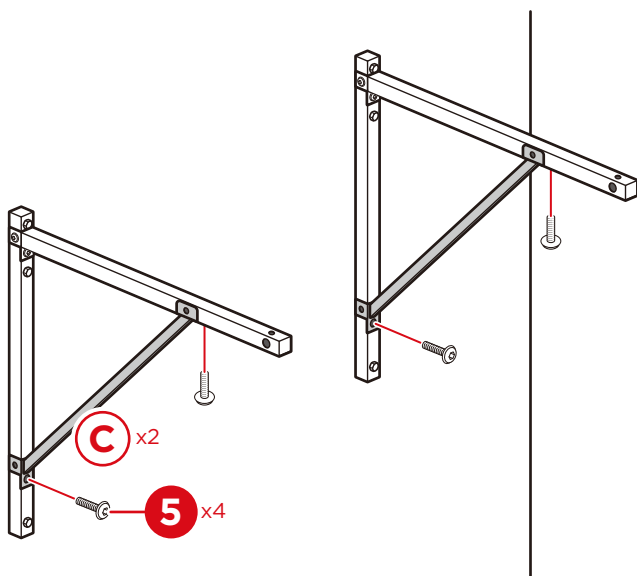
Attach two part B bar frames with two part 5 screws, two part 2 bolts, and two part 6 nuts.



PRODUCT ASSEMBLY

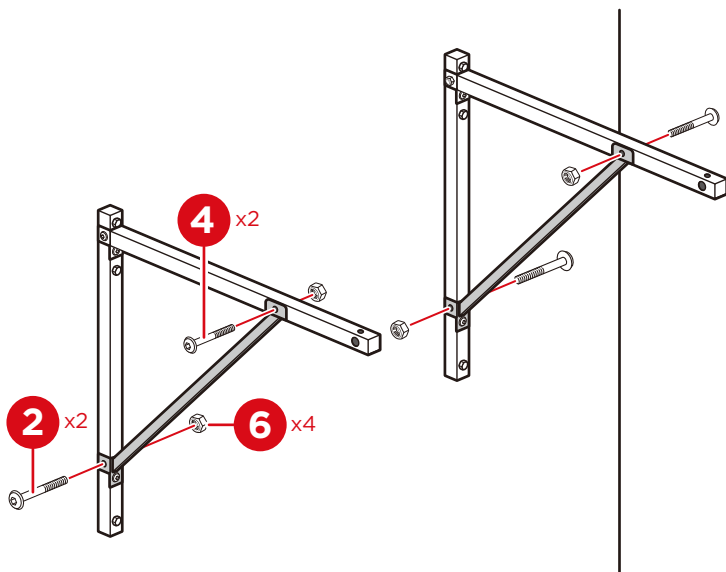
4

Attach two part C angled frames with four part 5 screws.



5

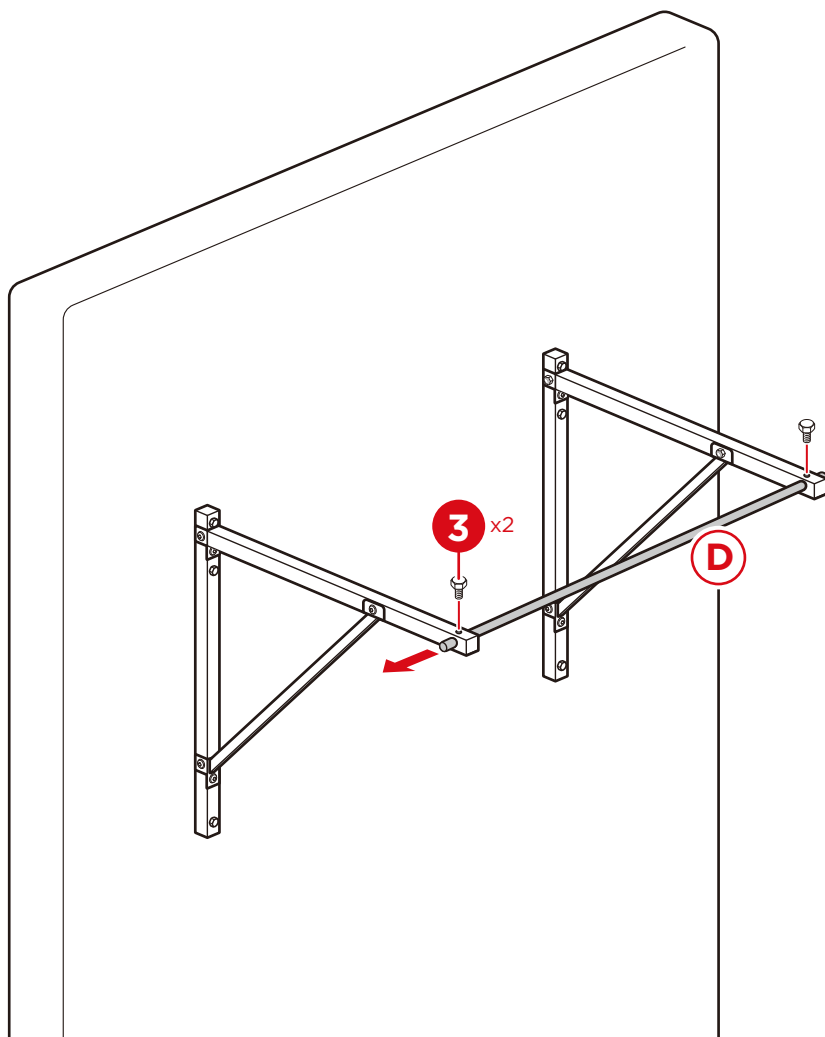
Secure the angled frames with two part 2 bolts, two part 4 bolts, and four part 6 nuts.



PRODUCT ASSEMBLY

6

Slide the part D bar through the bar frames and secure with two part 3 screws.





HELP CENTER



Question about your product? We're here to help. Visit us at:

help.bestchoiceproducts.com



Chat Support



Product Inquiry



Orders FAQ



Product Assembly



Returns & Refunds

PRODUCT WARRANTY INFORMATION

All items can be returned for any reason within 60 days of the receipt and will receive a full refund as long as the item is returned in its original product packaging and all accessories from its original shipment are included. All returned items will receive a full refund back to the original payment method. All returned items will not be charged a re-stocking fee.

All returned items require an RA (Return Authorization) number, which can only be provided by a Best Choice Products Customer Service Representative when the return request is submitted. Items received without an RA may not be accepted or may increase your return processing time. Once an item has been received by Best Choice Products, refunds or replacements will be processed within 5 business days.

All returns must be shipped back to the Best Choice Products Return Center at the customer's expense. If the reason for return is a result of an error by Best Choice Products then Best Choice Products will provide a pre-paid shipping label via email. Boxes for return shipping will not be provided by Best Choice Products, and is the customer's responsibility to either use the original shipping boxes or purchase new boxes.

Pictures may be required for some returns to ensure an item is not damaged prior to its return. Items returned are not considered undamaged until they are received by Best Choice Products and verified as such. All damages to items are the customer's responsibility until the item has been received by and acknowledge by Best Choice Products as undamaged.

WARNING

Manufacturer and seller expressly disclaim any and all liability for personal injury, property damage or loss, whether direct, indirect, or incidental, resulting from the incorrect attachment, improper use, inadequate maintenance, or neglect of this product.