



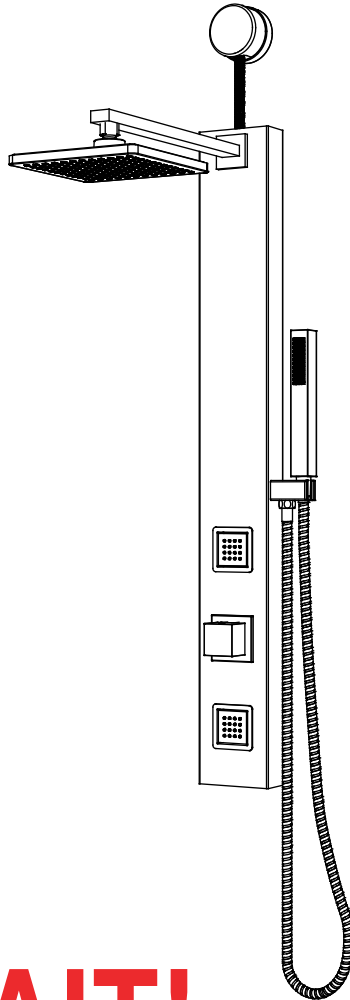
ANZZI®

ITEM: SP-AZ082**

ANZZI DION SHOWER PANEL
INSTALLATION & OPERATION MANUAL

V1.1

04/14/2026



**DON'T WAIT!
REGISTER NOW!**

Register your product within 90 days to ensure your product is recognized as an official purchase and is eligible for warranty coverage.

Register online at <https://anzzi.com/pages/register> or scan the QR code at PG. 2.



PRODUCT REGISTRATION*

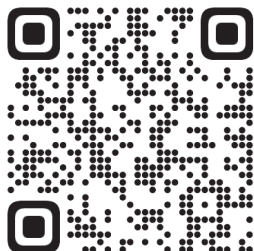
IMPORTANT: Warranty will not be recognized unless product is registered.

Register online at <https://anzzi.com/pages/register> or Scan the QR code below.

Registering online is fast, secure, and ensures we receive your information.

1

USE YOUR PHONE CAMERA
TO SCAN THE QR CODE



2

FILL IN A QUICK
REGISTRATION FORM

Thank you for your purchase!

Registering your products ensures you maximize your warranty benefits and receive prompt service and support.

Name*

Email*

City*

Order #*

Installer Name

⋮

Model Purchased*

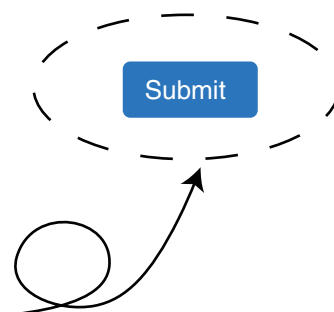
Installer Phone Number

Customer Age Range

Submit

3

CLICK SUBMIT AND
ENJOY PEACE OF MIND

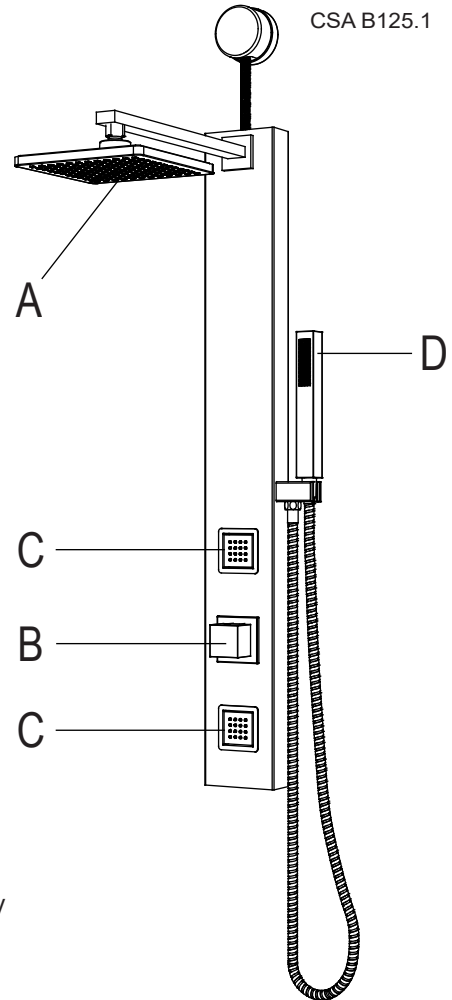
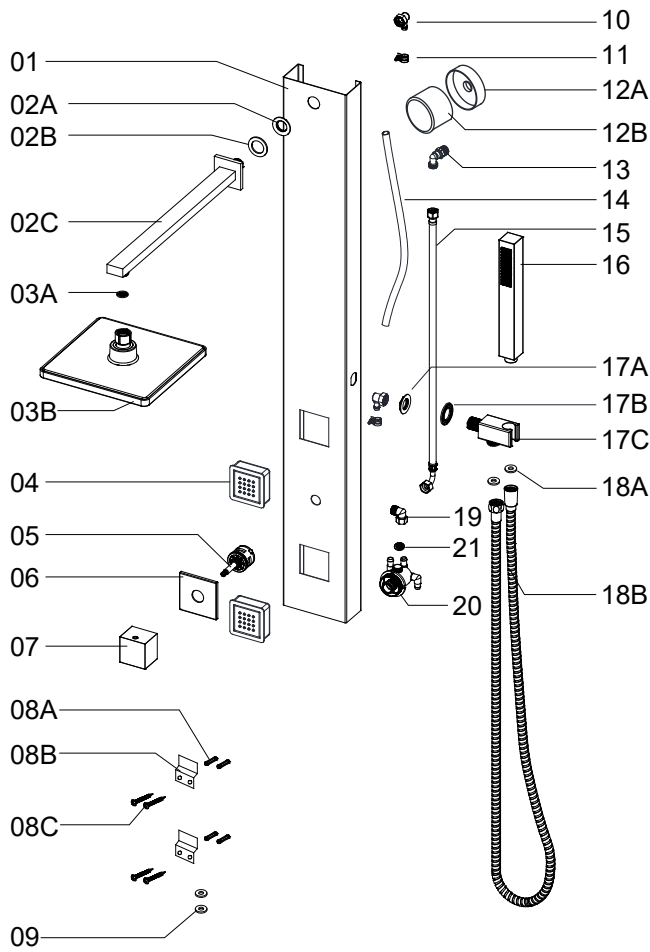


Need help? For technical support call 305-614-4070 or visit us at www.ANZZI.com

PARTS LIST



IAPMO IGC 154
ASME A112.18.1/
CSA B125.1



Part	Description	Qty	Part	Description	Qty
[01]	Shower panel	1	[11]	Clip	8
[02A]	Nut	1	[12A]	Base	1
[02B]	Washer	1	[12B]	Cap	1
[02C]	Shower Arm	1	[13]	Nipple	1
[03A]	Gasket	1	[14]	Hose	1
[03B]	Shower Head	1	[15]	Hose	1
[04]	Body Jet	2	[16]	Hand shower	1
[05]	Diverter Cartridge	1	[17A]	Nut	1
[06]	Diverter Flange	1	[17B]	Washer	1
[07]	Diverter Handle	1	[17C]	Hand Shower Holder	1
[08A]	Anchor	4	[18A]	Washer	2
[08B]	Bracket	2	[18B]	Shower Hose	1
[08C]	Screw	4	[19]	Nipple	1
[09]	Washer	2	[20]	Body	1
[10]	Connector	2	[21]	Flow Restrictor	1

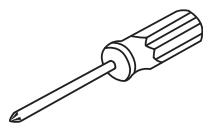
A. Shower Head
B. Diverter
C. Body Jets
D. Hand Shower

PRODUCT FEATURES

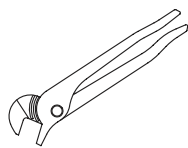
- Adjustable Body Jets
- Single diverter controls water flowing between Rain Shower/ Body Jets/ Hand Shower
- Rust-free materials

BEFORE YOU START

Recommended Items



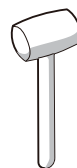
Screwdriver



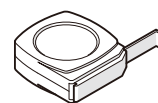
Channel Locks



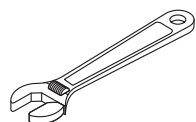
Goggles



Rubber Mallet



Measure



Adjustable Wrench



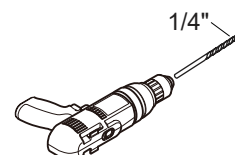
Teflon Tape



Allen Key



Pencil



Electric Drill

Read Before Using Your New Shower Panel

- Congratulations on your purchase. Your new shower panel is designed to enhance your bathroom with a luxurious, spa-like experience for years to come. This premium shower panel delivers the pleasure of massaging body spray jets and modern functionality, all within the comfort of your own home.
- The shower panel is designed to operate with standard residential plumbing systems and will function using your existing water supply lines at typical household water pressure and flow rates.
- Before installing or using this product, please read this manual carefully and completely. The instructions and safety information provided are essential for proper installation, safe operation, and long-term performance. Improper installation, maintenance, or repair — including failure to follow care and cleaning instructions — may result in product damage and could void the warranty.

IMPORTANT

1. Inspect Before Installation

Before beginning installation, ensure the package is intact and all components are free of damage. If you discover any damaged parts, contact your dealer or ANZZI immediately.

2. Installation Knowledge Required

Basic plumbing knowledge is required to install this shower panel. If you are unfamiliar with plumbing techniques or have questions, contact your dealer or consult a licensed professional plumber.

3. Indoor Use Only

This shower panel is designed for indoor residential use only. It is not intended for outdoor installation or any other applications.

4. Water Pressure Requirements

The required water supply pressure range is **20–125 PSI**. If your water pressure exceeds this range, a pressure-reducing valve must be installed.

5. Leak Inspection

After installation, check all connections for leaks. Tighten fittings if necessary, but do not overtighten.

Mounting the Brackets of the Shower Panel

- It is recommended that the shower panel be mounted at a height that allows comfortable use by individuals of varying heights. Determine the exact mounting height and position on the wall before installation. Allow approximately **6" (15 cm)** of clearance above the showerhead, taking into account the average height of household users, and maintain a minimum clearance of **1" (2.5 cm)** from the ceiling (see **Figure A**).

Scan the QC code for a quick example install video

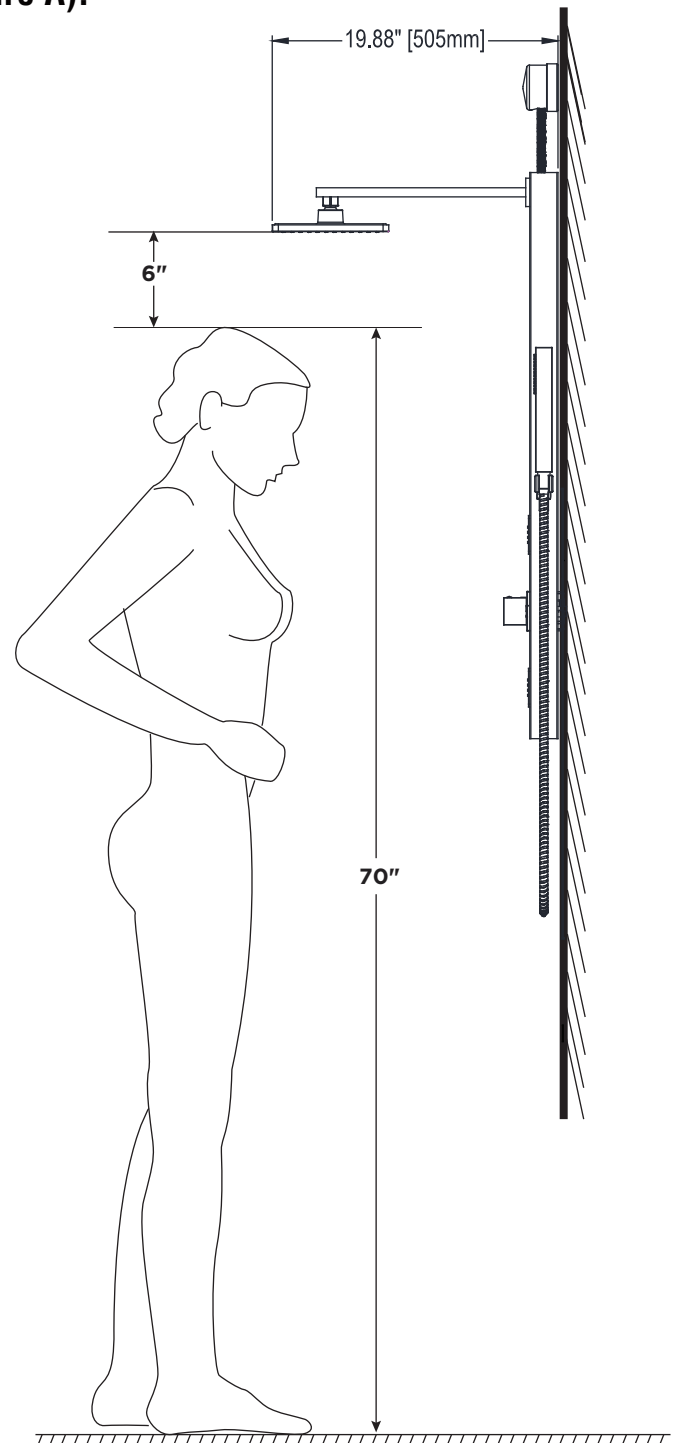
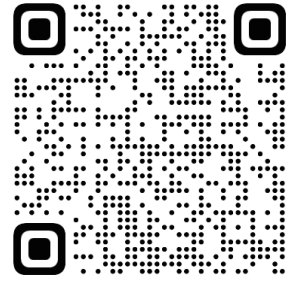
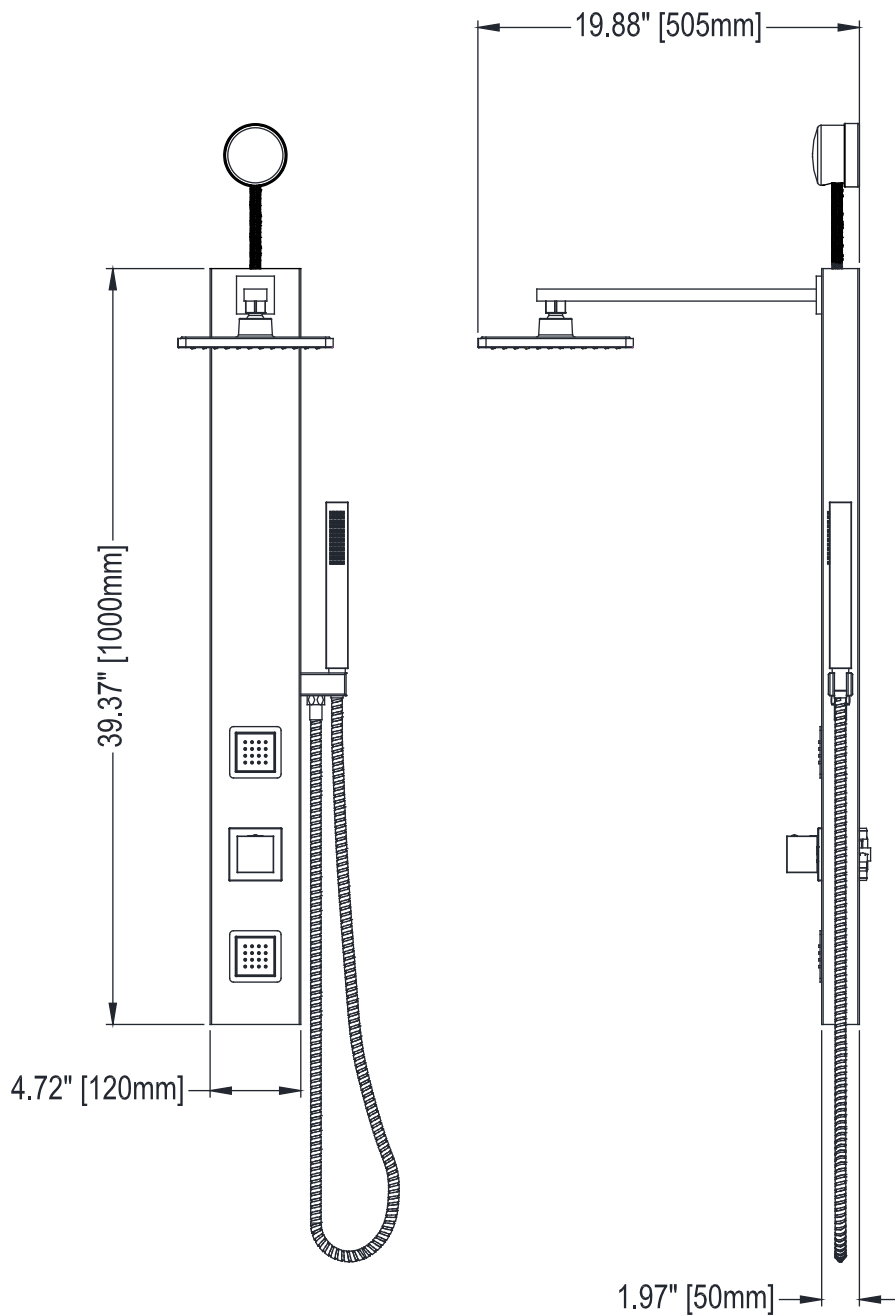


Figure A

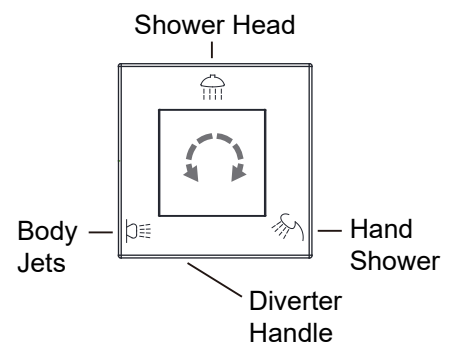
PRODUCT SIZE CHART



OPERATION

Diverter Valve

- Turn the diverter handle **120° counterclockwise** to direct water to the **body jets**.
- Turn the diverter handle **120° clockwise** to direct water to the **hand shower**.



STEP 1

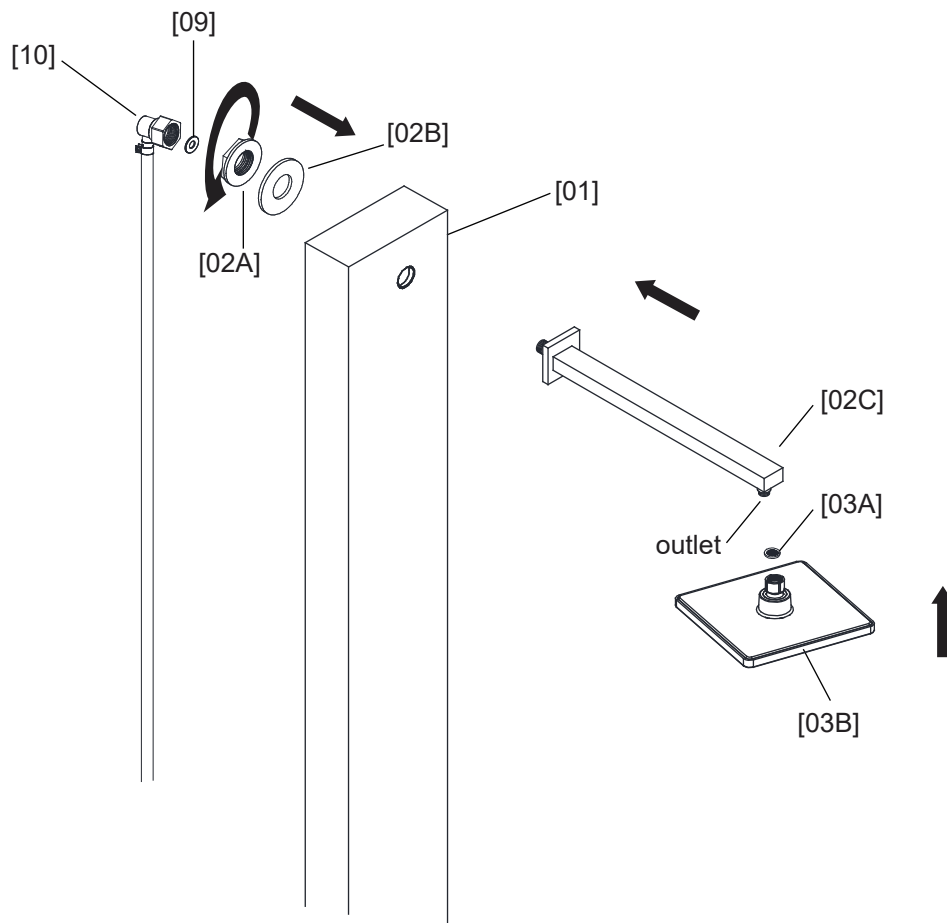


Fig 1

- 1-1** Remove the **Nut [02A]** and **Washer [02B]** from the **Shower Arm [02C]** and slide the **Shower Arm [02C]** into the **Shower Panel [01]** from the front. From the back of the **Shower Panel [01]**, slide the **Washer [02B]** on to the **Shower Arm [02C]** and secure it with **Nut [02A]**. **Do not over tighten!**
Notice: Make sure the **outlet** of **Shower Arm [02C]** is pointing downward.
- 1-2** Install the **Connector [10]** with **Washer [09]** in it to the **Shower Arm [02C]** as figure shows.
- 1-3** Install the **Shower Head [03B]** on to **Shower Arm [02C]** and secure it.
Notice: Make sure there is a **Gasket [03A]** inside the **Shower Head [03B]**.

STEP 2A – Outlet above the Top of Shower Panel

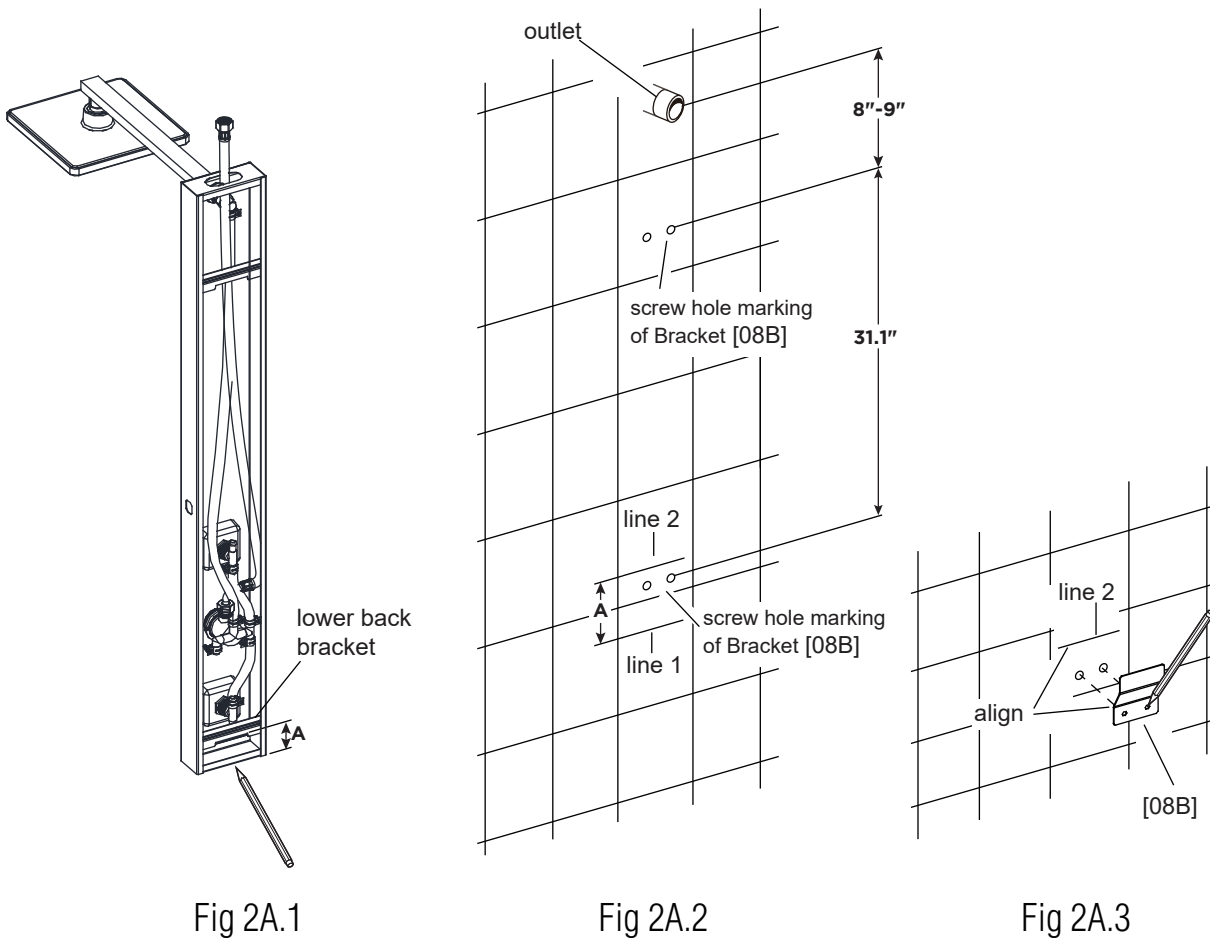


Fig 2A.1

Fig 2A.2

Fig 2A.3

CAUTION: Follow these instructions if outlet is located above the shower panel. If the outlet is located behind the shower panel, skip to **STEP 2B** for instructions.

- 2A-1** Position the shower panel on the wall according to figure A on page 5. Draw line 1 on the wall along the bottom of shower panel. (Fig 2A.1)
- 2A-2** Measure the distance A between the bottom of the shower panel and the lower back bracket. Then draw line 2 above line 1 at the distance A. (Fig 2A.2)
- 2A-3** Position the **Bracket [08B]** on the wall with its lower corners aligned with line 2 and center beneath the outlet. Then mark the wall through the screw holes of the **Bracket [08B]**. (Fig 2A.3)
- 2A-4** Position another **Bracket [08B]** above the previous one on the wall so the screw holes are 31.1" above the screw hole marks for the first bracket and center beneath the outlet. Then mark the screw holes of the second **Bracket [08B]** on the wall. (Fig 2A.2)

STEP 2B – Outlet behind the Shower Panel

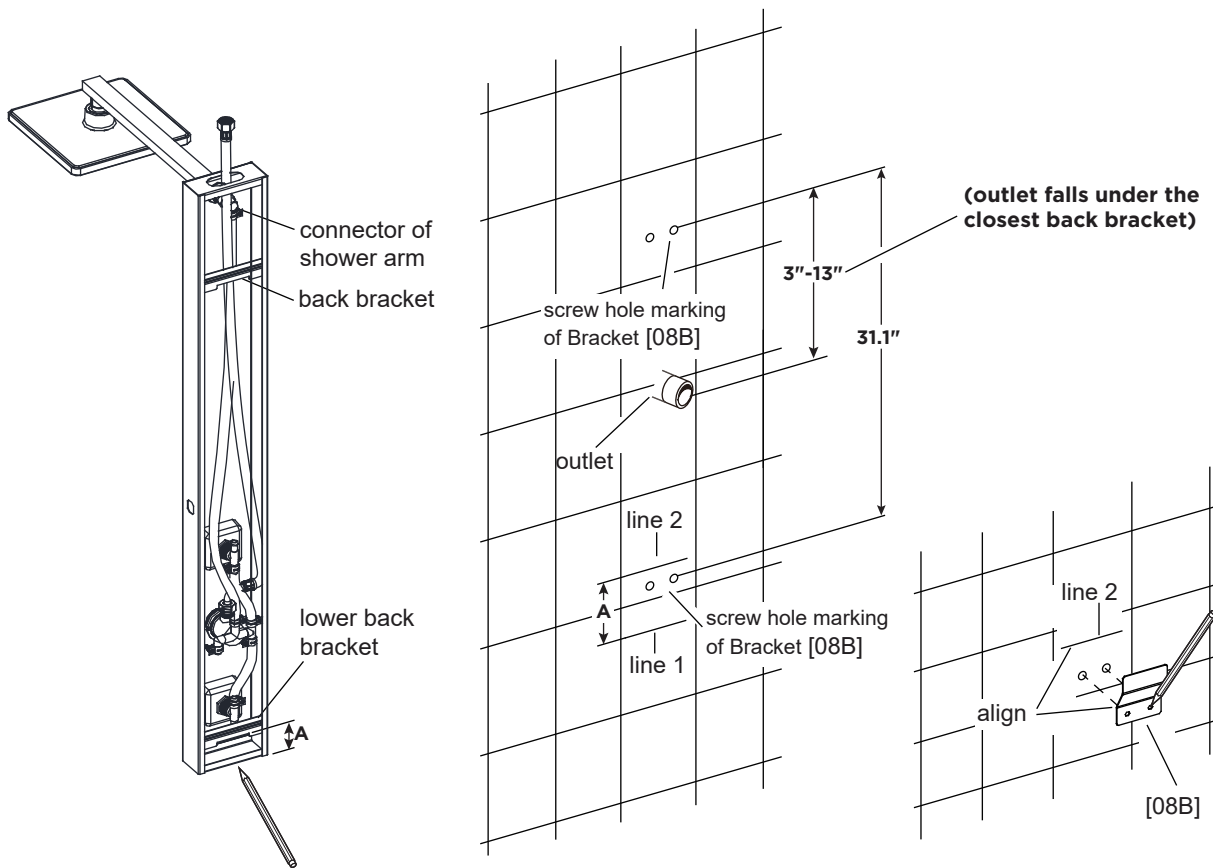


Fig 2B.1

Fig 2B.2

Fig 2B.3

CAUTION: Make sure the outlet falls in the range shown in Fig 2B.2. Make adjustment if needed.

2B-1 Position the shower panel on the wall according to figure A on page 5. Draw line 1 on the wall along the bottom of shower panel. (Fig 2B.1)

2B-2 Measure the distance A between the bottom of the shower panel and the lower back bracket. Then draw line 2 above line 1 at the distance A. (Fig 2B.2)

2B-3 Position the **Bracket [08B]** on the wall with its lower corners aligned with line 2 and center beneath the outlet. Then mark the wall through the screw holes of the **Bracket [08B]**. (Fig 2B.3)

2B-4 Position another **Bracket [08B]** above the previous one on the wall so the screw holes are 31.1" above the screw hole marks for the first bracket and center above the outlet. Then mark the screw holes of the second **Bracket [08B]** on the wall. (Fig 2B.2)

STEP 3

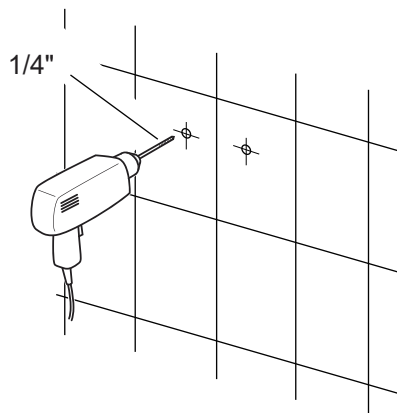


Fig 3.1

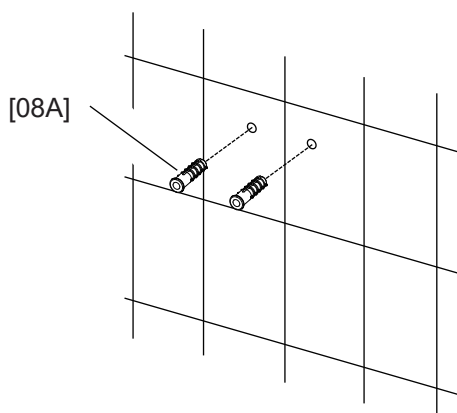


Fig 3.2

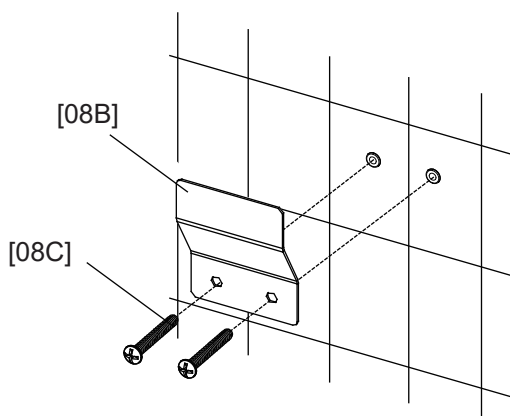


Fig 3.3

IMPORTANT Before drilling any holes for the shower panel brackets, be sure there are no hidden cables or pipelines aligned with the desired drilling position.

3-1 Drill 1/4" holes at the marked positions. (Fig 3.1)

3-2 Install the **Anchors [08A]**. (Fig 3.2)

3-3 Secure the **Brackets [08B]** with **Screws [08C]**. (Fig 3.3)

STEP 4

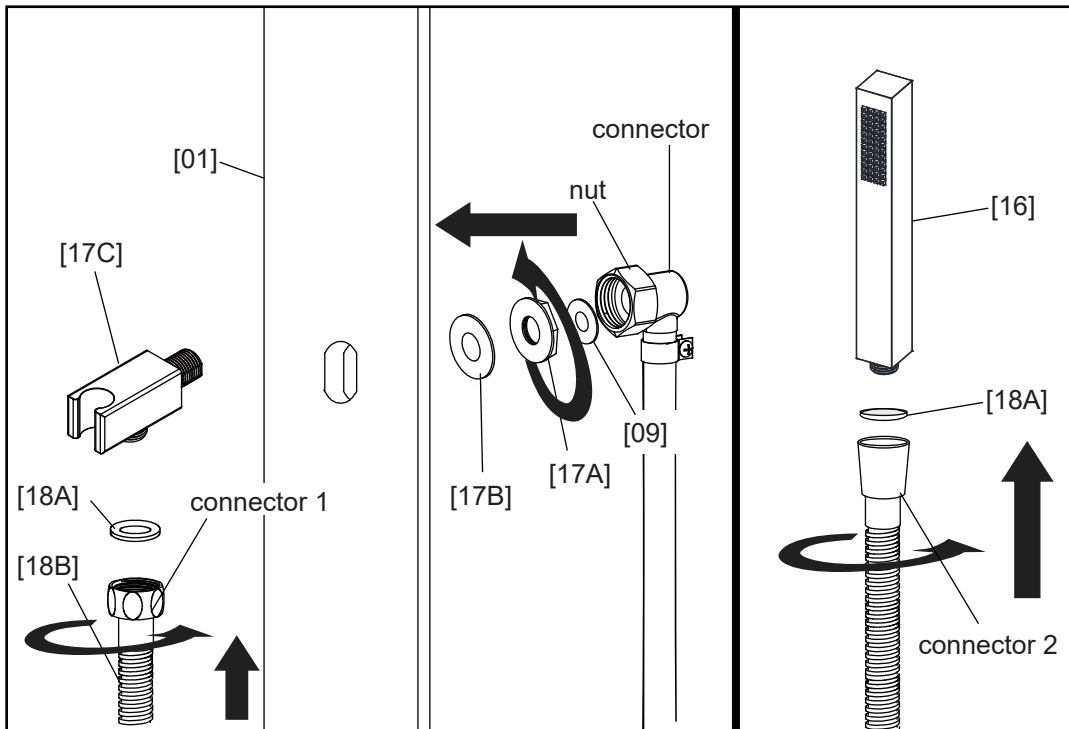


Fig 4.1

Fig 4.2

- 4-1** Install the **Hand Shower Holder [17C]** through the hole on the right of **Shower Panel [01]**. Make sure the shower hose connector faces downward. (Fig 4.1)
- 4-2** Slide the **Washer [17B]** on to the **Hand Shower Holder [17C]** from the inside of **Shower Panel [01]** and secure it by tightening the **Nut [17A]**. Do not over tighten. (Fig 4.1)
- 4-3** Install the **connector** with **Washer [09]** in it to the **Hand Shower Holder [17C]**. Then tighten the **nut** of the **connector** to secure. (Fig 4.1)
- 4-4** Connect the **connector 1** of **Shower Hose [18B]** to **Hand Shower Holder [17C]** and **connector 2** to **Hand shower [16]**. Tighten the connectors to secure. Make sure there are **Washer [18A]** inside the connectors. (Fig 4.1, Fig 4.2)

STEP 5

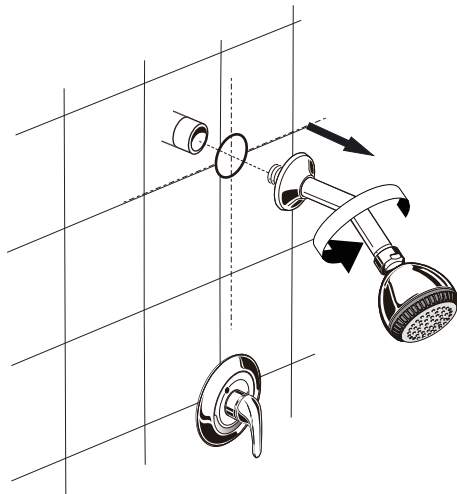


Fig 5.1

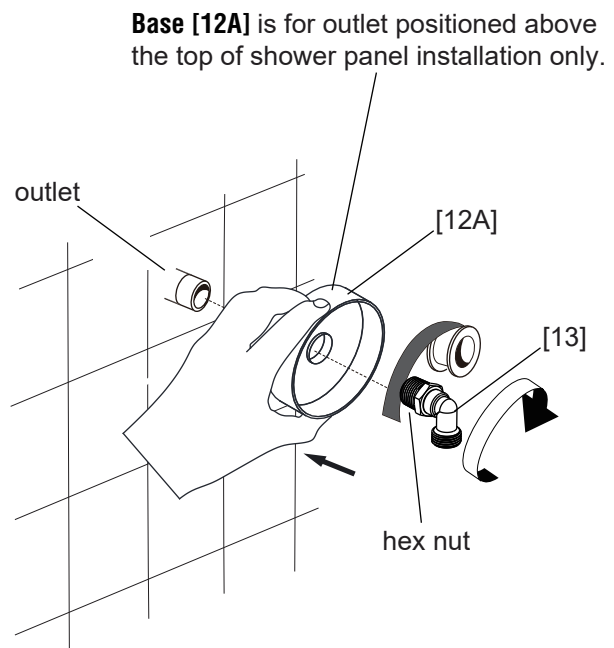


Fig 5.2

- 5-1** Turn off the faucet. Remove the existing shower head and shower arm assembly. (Fig 5.1)
- 5-2** Slide the **Base [12A]** on to the **outlet**. The deeper side of the **Base [12A]** faces outside. Install the longer shank of **Nipple [13]** to the outlet and tighten it. Use plumbing tape to ensure good sealing performance. (Fig 5.2)

CAUTION: Base [12A] is for outlet positioned above the top of shower panel installation only. It is not needed for outlet positioned behind shower panel installation.

STEP 6

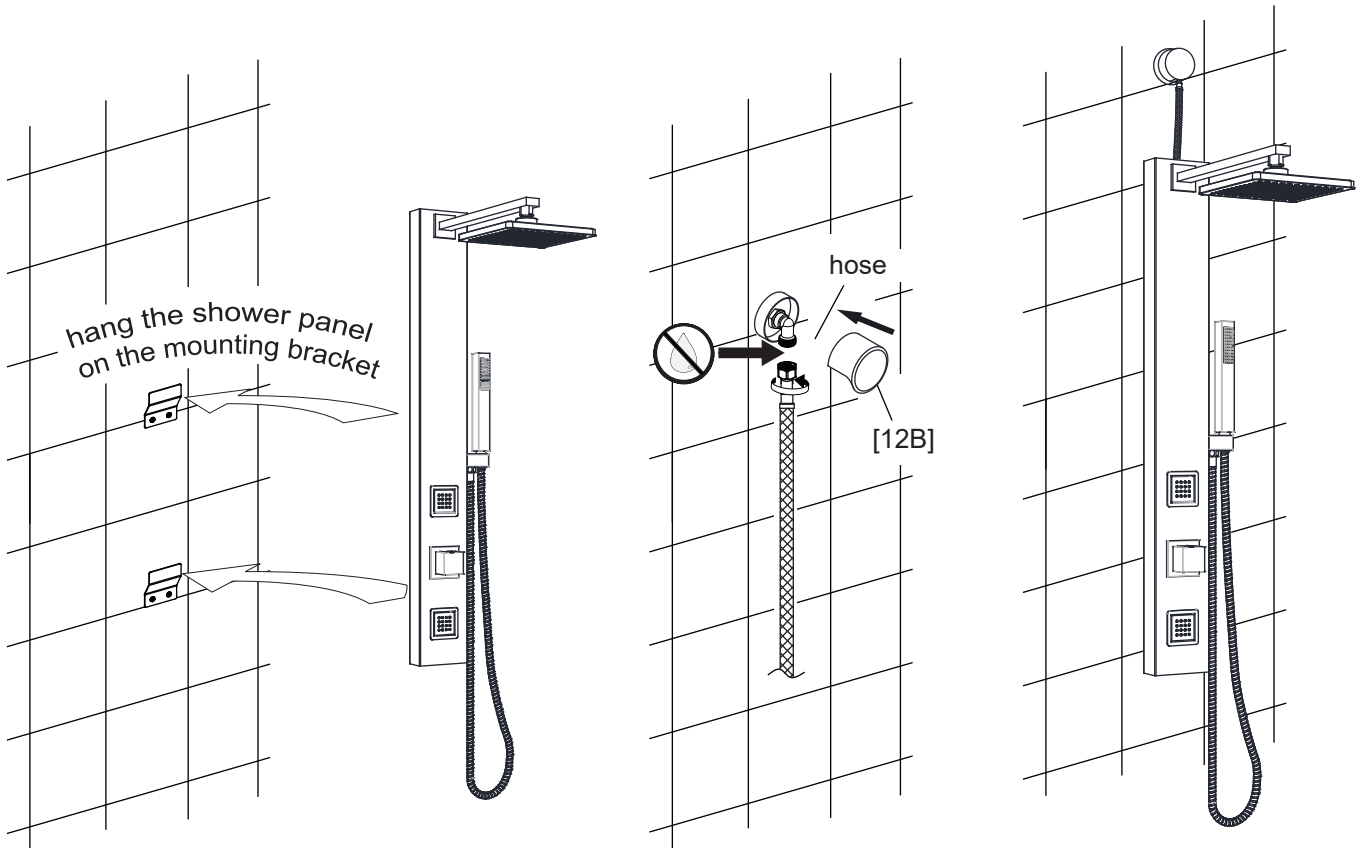


Fig 6.1

Fig 6.2

Fig 6.3

- 6-1** Connect the **hose** to the **Nipple [13]** and tighten it to secure. (Fig 6.2)
- 6-2** Test all water functions by turning on the faucet before hanging the shower panel. Retighten if necessary, but do not overtighten. Install the **Cap [12B]** to the **Base [12A]**. (Fig 6.2)
- 6-3** Slide the shower panel down until it rests on the mounting brackets. Slightly pull down the shower panel to secure. (Fig 6.1, Fig 6.3)

CAUTION: Base [12A] and Cap [12B] are for outlet positioned above the top of shower panel installation only. They are not needed for outlet positioned behind shower panel installation.

CARE AND MAINTENANCE

ANZZI® products are crafted with superior quality standards and workmanship and engineered to stand the test of time. However, that does not mean the product can be neglected - it will need some care and cleaning.

It is recommended to use regular soap and hot water along with a non-abrasive cloth or sponge to regularly clean the product. This avoids any build up or deposits which would be tougher to remove.

If you feel the use of stronger cleaning solutions or chemicals is necessary, always test the cleaning solution or chemical on an inconspicuous area before applying to the entire surface.

Wipe all surfaces clean and rinse completely with water immediately after applying cleaner. Rinse and dry any overspray that lands on nearby surfaces.

DO NOT ALLOW THE CLEANER TO SOAK.

Following these simple procedures will ensure your ANZZI® product remains as lustrous and stunning as the day it was first received. ENJOY!

Sincerely,

La Familia ANZZI®



ANZZI®