

Product Uses

Liquid Products

Features

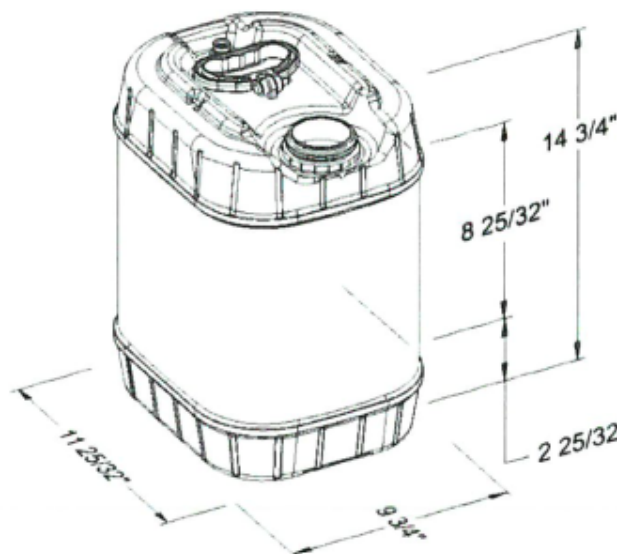
UN Rating: 3H1/Y1.8/100
Nominal capacity: 5.0 USG / 18.9L
Maximum capacity: 5.3 USG / 20.1 L
Tare weights: 2.71 lbs / 1.23 kgs

Colors

Standard: White, Black, Blue and Natural
Custom: Available at manufacturer's discretion

Decorating Options

Maximum Label Area:
Perimeter: 38-1/4" x 8-17/32" H
See Salesperson for Options



Shipping Data

Qty. per floor spot:	112
Gross Weight (lbs./kgs)*:	309 / 140
Length (in./cm.):	48 / 121
Width (in./cm.):	35.3 / 90
Height (in./cm.):	106 / 270

Containers

Filled Containers

Refer to BWAY document # ETS-CD-1002 for storage and shipping recommendations.

Estimated truckload quantity of 3,360 containers**

Notes: *Weight does not include pallet / packaging
**Truckload quantity based on 53' trailer

Materials

FDA approved materials
Resin: Body: High-Density Polyethylene (HDPE)
Handle/Pin: High-Density Polyethylene (HDPE)

Optional Carrying Handle

Swing Handle with Pin

MSDS Sheets available upon request

DISCLAIMER

THIS INFORMATION IS PROVIDED AS A GENERAL GUIDE, INCLUDING DIMENSIONS. IT IS THE CUSTOMER'S RESPONSIBILITIES TO SELECT THE PROPER CONTAINER FOR PRODUCT AND APPLICATION COMPATIBILITY.

DISTRIBUTED BY:



REF NO.:

DWG30467

DESCRIPTION:

5 Gallon HDPE Tight Head, Rieke Opening