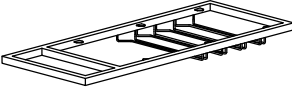
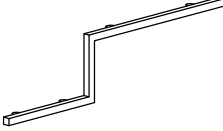
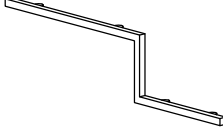
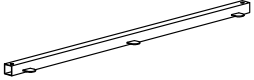
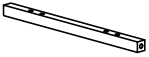

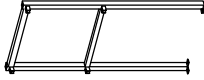
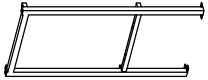

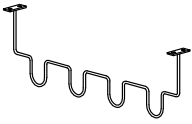

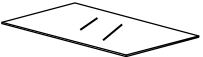




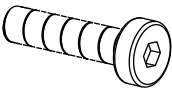

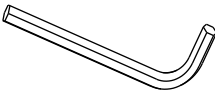
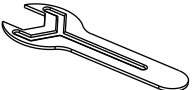
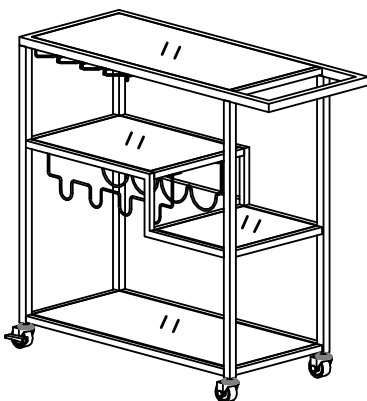


ASSEMBLY INSTRUCTION

MIRRORED GLASS METAL KITCHEN CART

A Top Frame  1pc	B Rail-RSF  1pc	C Rail-LSF  1pc	D Bottom Stretcher  2pcs
E Center Stretcher  1pc	F Short Stretcher  1pc	G Side Frame-LSF  1pc	H Side Frame-RSF  1pc
I Wine Rack-Back  1pc	J Wine Rack-Front  1pc	K Mirror  2pcs	L Mirror (Second Tier)  1pc
M Mirror (Third Tier)  1pc	N Wheel With Brake  2pcs	O Wheel  2pcs	P Metal Bar  1pc
Q Bolt 1/4 x 1/2"  28pcs	R Washer Φ21mm  4pcs	S Allen Wrench 1/4"  1pc	T Open Wrench 13mm  1pc

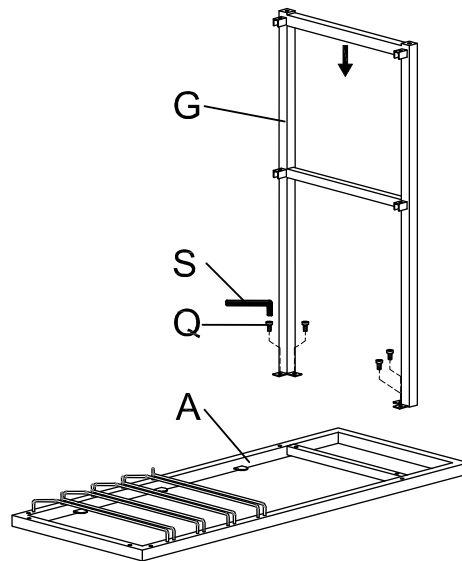


This page lists all the contents included in the box. Please take the time to identify the hardware as well as the individual components to this product. As you unpack and prepare for assembly, place the contents on a carpeted or padded area to protect them from damage.

***** Do not tighten screws & bolts until the entire unit is completely assembled.**

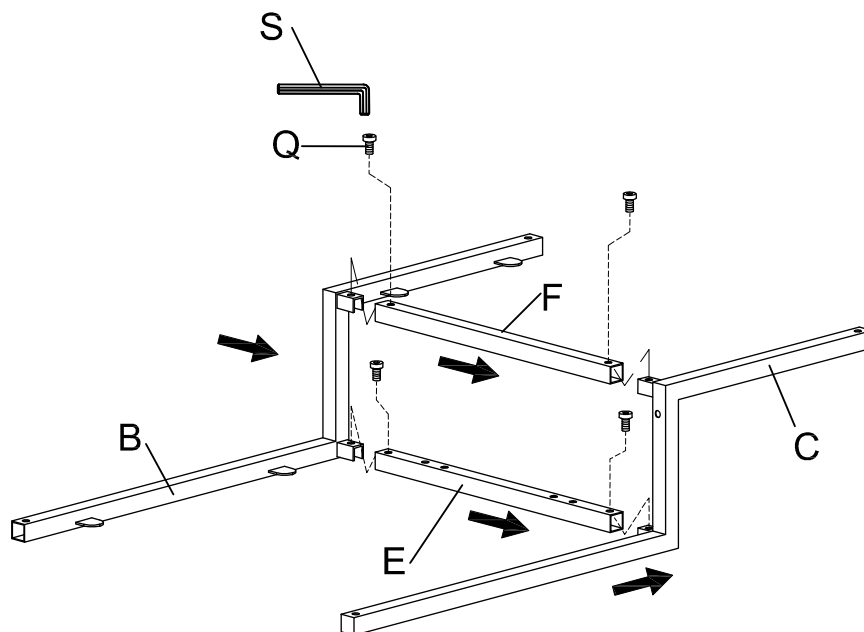
1

Attach side frame (G) to top frame (A) use bolt (Q) and allen wrench (S) as shown.

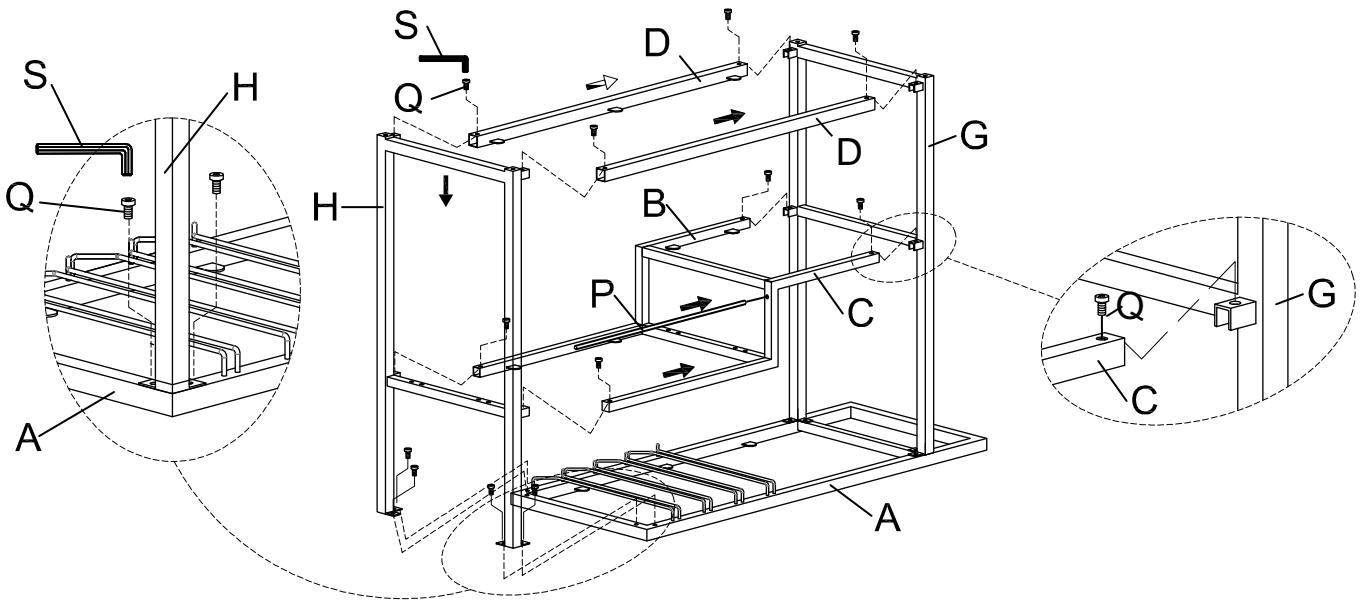


2

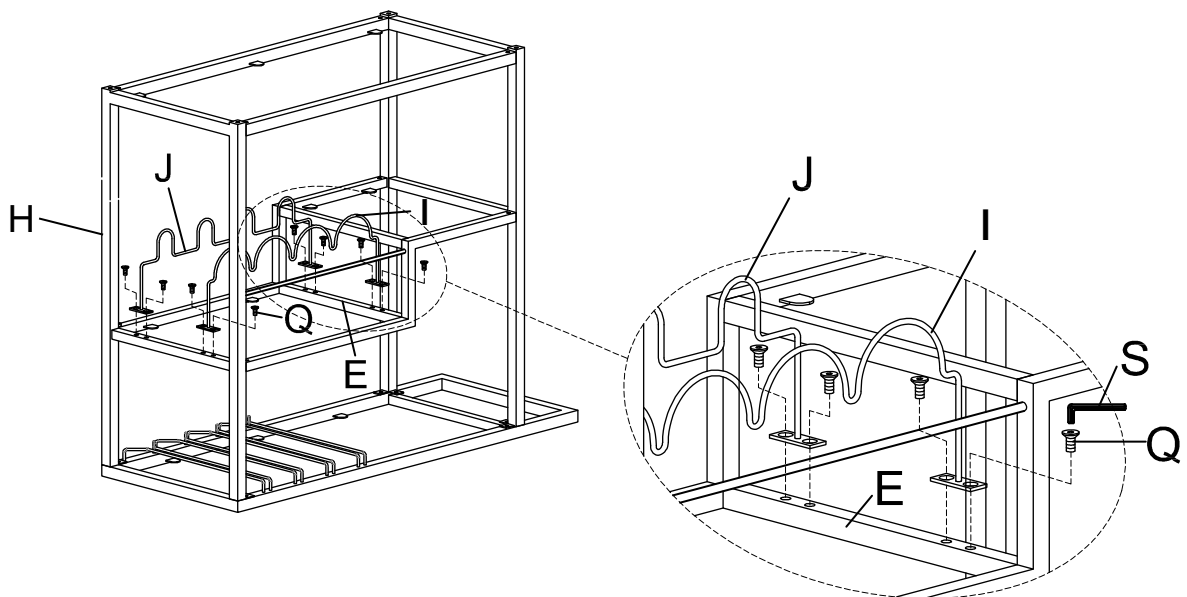
Assemble rail (B), center stretcher (E), short stretcher (F) and rail (C) together use bolt (Q) and allen wrench (S) as shown.



3 Attach rail (B), rail (C) and bottom stretcher (D) to side frame (G) by bolt (Q) and allen wrench (S). Attach metal bar (P) to rail (C), then attach side frame (H) to the assembled metal shelf by bolt (Q) and allen wrench (S) as shown.

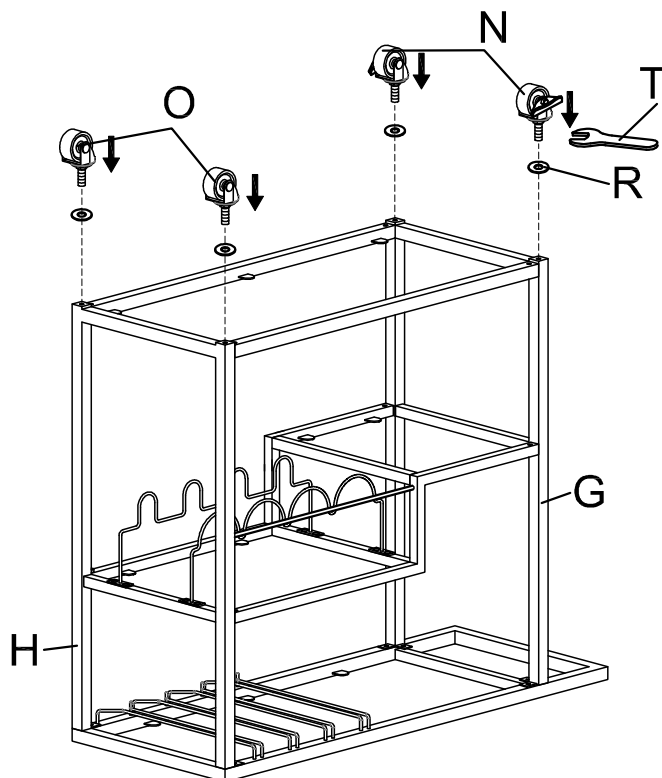


4 Attach wine rack (I) and (J) to center stretcher (E) and side frame (H) by bolt (Q) and allen wrench (S) as shown.

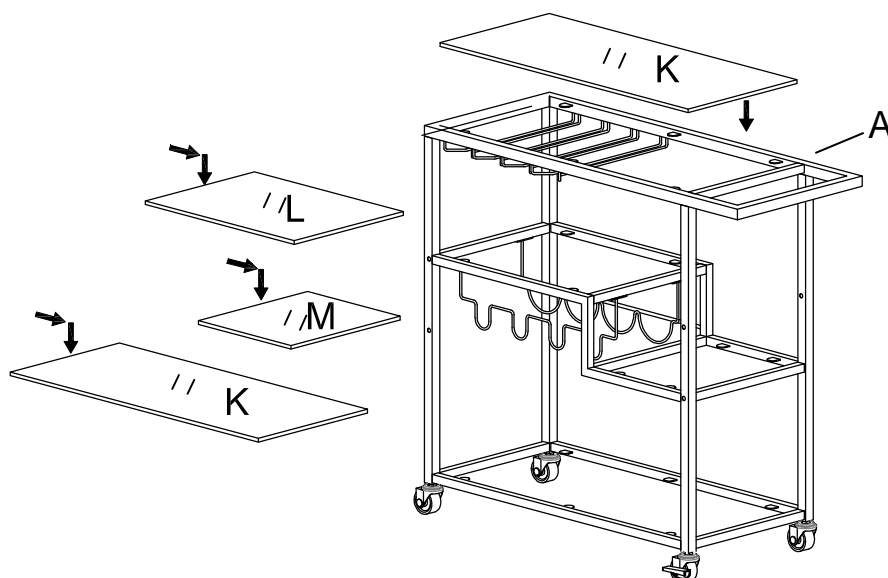


5

Attach Wheel (O) to side frame (H) and wheel with brake (N) to side frame (G) by washer (R) and open wrench (T) as shown.

**6**

Upright the kitchen cart, put mirror (K) into the top frame (A) and the bottom. Put mirror (L) into the second tier of the kitchen cart and put mirror (M) into the third tier of the kitchen cart as shown.



Cleaning & Care

Treat surface with care. Surface is resistant to scratches but is not scratch resistant. Clean surfaces with a dry or damp soft cloth. Do not use abrasive cleaners. Hardware may loosen over time. Periodically check that all connections are tight.