

## Features

- Low-threshold design for easy entry and exit
- Molded-in textured floor
- Water containment bead incorporated into threshold design provides an optimum barrier, preventing water from escaping from shower space
- Single threshold for alcove installation
- Coordinates with Choreograph® shower walls and other KOHLER® collections

## Material

- Acrylic

## Installation

- Center drain

## Recommended Products/Accessories

- K-9132 Shower Drain
- K-23726 Drain treatment



## Codes/Standards

- CSA B45.5/IAPMO Z124
- ASTM E162
- ASTM E662





## KOHLER® Plastic Baths and Shower Bases Lifetime Limited Warranty

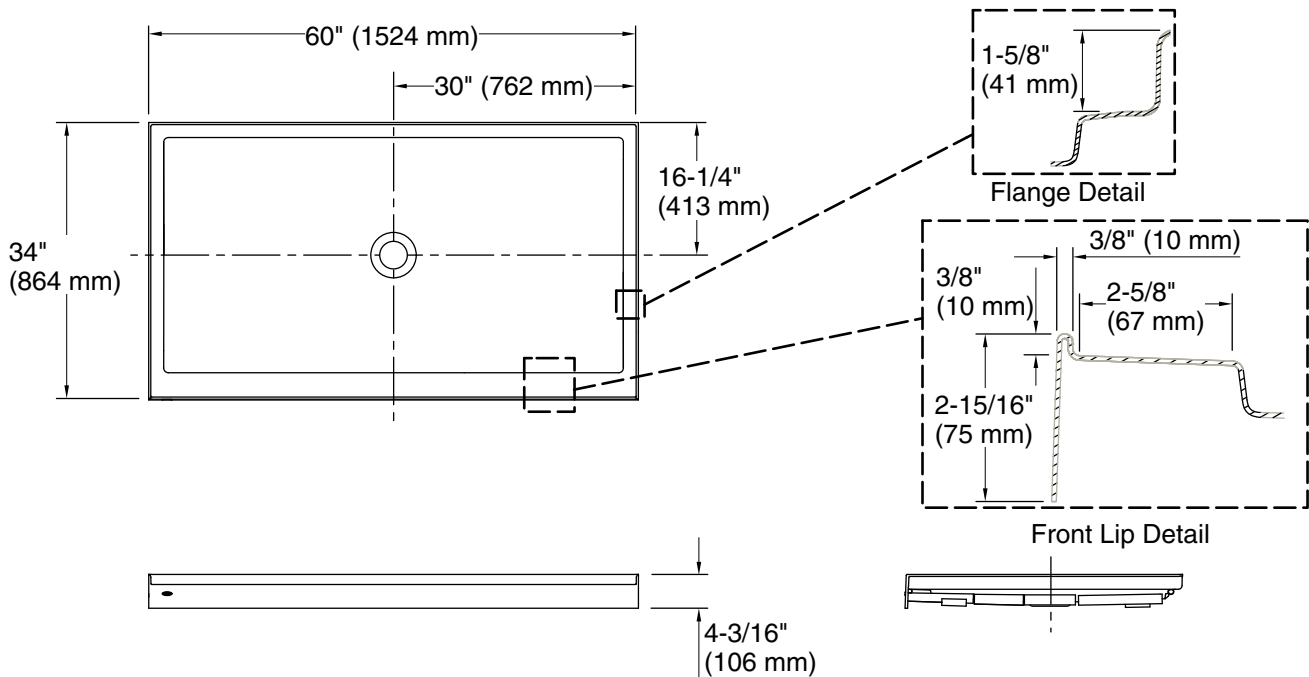
See website for detailed warranty information.

## Available Colors/Finishes

*Color tiles intended for reference only.*

| Color | Code | Description |
|-------|------|-------------|
|-------|------|-------------|

|   |    |           |
|---|----|-----------|
|  | 0  | White     |
|  | 96 | Biscuit   |
|  | NY | Dune      |
|  | 95 | Ice™ Grey |



## Technical Information

All product dimensions are nominal.

|                        |                  |
|------------------------|------------------|
| Drain location:        | Center           |
| Weight:                | 63 lbs (28.6 kg) |
| Minimum flat for door: | 2-5/8" (67 mm)   |

## Notes

Measure your actual product for rough-in details.

Install this product according to the installation instructions.

Subfloor must be within 1/2" (13 mm) of level.

This receptor has a front lip. This should be taken into account when installing a shower door.