

Overbed Table

en IH1010 and IH5135 Overbed Table
User Manual

en

I General

I.1 Symbols

Signal words are used in this manual and apply to hazards or unsafe practices which could result in personal injury or property damage.



DANGER!

– Danger indicates an imminently hazardous situation which, if not avoided, will result in death or serious injury.



WARNING!

– Warning indicates a potentially hazardous situation which, if not avoided, could result in death or serious injury.



Gives useful tips, recommendations and information of efficient, trouble-free use.

This manual **MUST** be given to the user of the product.
BEFORE using this product, read this manual and save for future reference.



Yes, you can.

2 Safety

2.1 General Guidelines



DANGER!

Risk Of Injury Or Damage

Improper use of this product may cause injury or damage.

- If you are unable to understand the warnings, cautions or instructions, contact a healthcare professional, dealer or technical personnel before attempting to use this equipment.
- Do not use this product or any available optional equipment without first completely reading and understanding these instructions and any additional instructional material such as user manuals, service manuals or instruction sheets supplied with this product or optional equipment.

Continued use of the product with damaged parts could lead to the product malfunctioning, causing injury to the user and/or caregiver.

- Check ALL components and carton for damage, and test components before use. In case of damage or if the product is not working properly, contact a technician or Invacare for repair.



WARNING!

Risk Of Injury or Damage

Improper assembly, adjustment, maintenance or use may cause injury or damage.

- Ensure that all attaching hardware and parts are secure after any adjustments, repair or service and before use. **DO NOT** use product if parts are damaged or defective.



WARNING!

Risk Of Injury or Damage

The column assembly is spring loaded and will extend suddenly when the shipping pin (black screw) is removed. To avoid injury or damage due to improper assembly or adjustment:

- **ALWAYS** wear safety glasses and use extreme caution when removing the shipping pin (black screw) from the column assembly of the overbed table.



The maximum weight for the IH1010 Overbed table is 50 lbs.

The maximum weight for the IH5135 Overbed table is 100 lbs.

2.2 Reuse



WARNING!

Risk Of Injury or Damage

To avoid injury due to damaged product:

- Always have a dealer inspect the product for damage before transferring the product to a different user. If any damage is found, **DO NOT** use product.

The product is suitable for repeated use. The number of times it can be used depends on how often and in which way the product is used. Before reuse, clean and disinfect the product thoroughly and check for proper function.

2.3 Service Life

The expected service life of this product is two years when used in accordance with the safety instructions, maintenance intervals and correct use, stated in this manual. The effective service life can vary according to the frequency and intensity of use.

3 Specifications

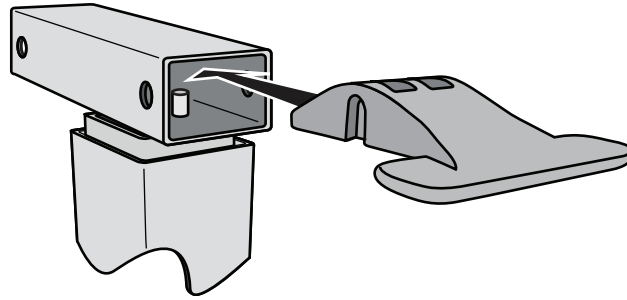
3.1 Specifications

Specification	IH1010	IH5135
Table Top Dimensions	15 X 30 inches	18 X 32 inches
Table Top Material	Wood Grain High Pressure Laminate	Wood Grain High Pressure Laminate
Height Range	28–45 inches	30–45 inches (15 one inch increments)
Weight Capacity	50 pounds	100 pounds
Caster Size	1.5 inches	2 inches
Base Clearance	24 inches	28 inches
Frame Material (Column and Base)	16 and 17 gage welded tubular steel	11 and 12 gage welded tubular steel
Base Mount Options	Single Position	Multiple Positions (Right or Left Mounting)

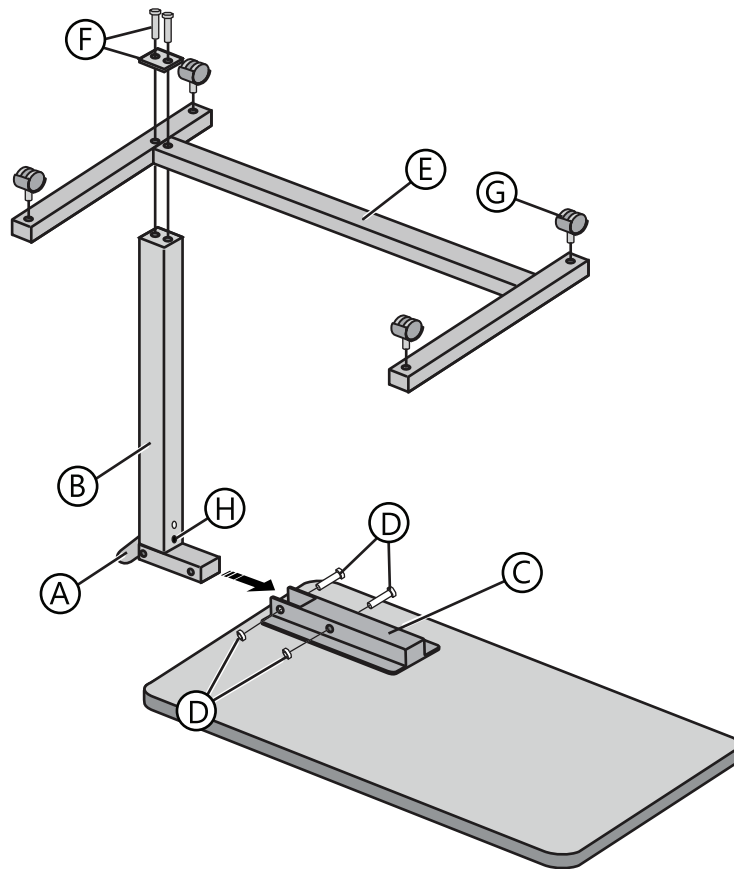
4 Assembly

4.1 Assembling the IH1010 Overbed Table

1. Place table top on a flat stable surface top side down.



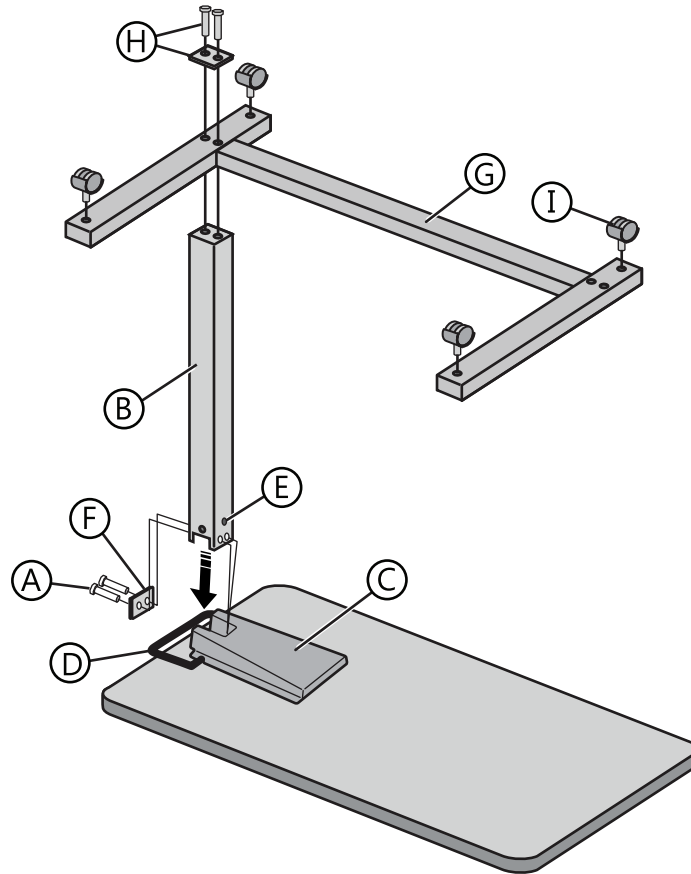
2. Insert release lever with rounded side up into the column assembly over pin.



3. While holding the release lever (A) in place, rotate the column assembly (B) and insert into table top bracket (C).
4. Align holes on the column assembly (including release lever) with those of table top bracket and secure the column assembly with hardware (D) provided.
5. Secure base (E) to the column assembly with bolt plate and hardware (F) provided.
6. Install the four casters (G). Set table upright.
7. Remove the black screw (H) located under caution label on column and replace with zinc-plated screw provided.
8. Assembly is complete.

4.2 Assembling the IH5I35 Overbed Table

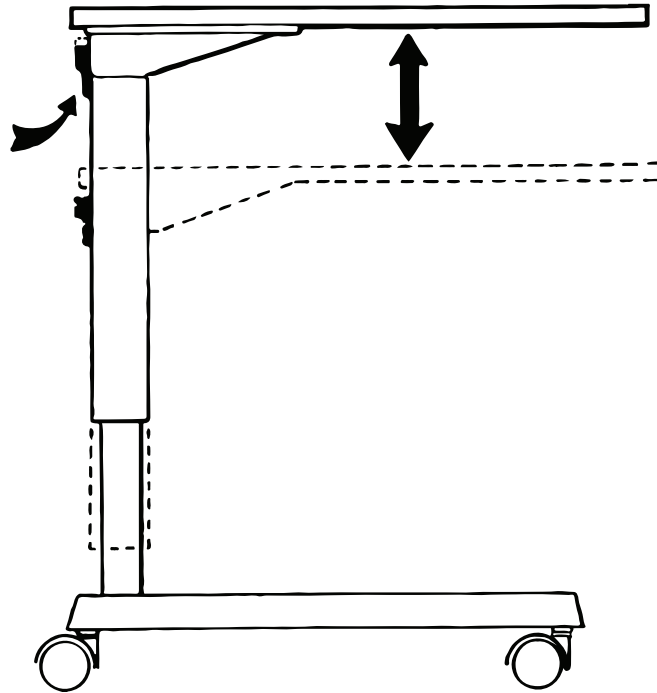
1. Place table top on a flat stable surface top side down.



2. Loosen mounting bolts (A) until the column assembly (B) will fit into top bracket (C).
3. **Elevate the release lever (D) to approximately 45° angle** and insert the column assembly into top bracket. Align rectangle notches on the column assembly with dimples on the top bracket. Ensure the column assembly is set in place with black shipping screw (E) facing toward the top bracket.
4. Tilt the column assembly slightly in the direction of the release lever and secure the column assembly with the mounting plate (F) and hardware (A) provided. Be sure to align the embossed dimples in the mounting plate to the column assembly rectangular notches. Also ensure that the release lever is in the channel in the column assembly.
5. Tighten mounting bolts (A) securing the column assembly to top bracket.
6. Secure base (C) to the column assembly with the bolt plate (H) and hardware provided.
7. Install the four casters (I). Set table upright.
8. Remove the black screw and discard.
9. Assembly is complete.

5 Usage

5.1 Using the Overbed Table



1. To raise the table top, lift from anywhere on the underside of the table top to a desired height.
2. To lower the table top, squeeze the release lever and push down on table to desired height.

6 Maintenance

6.1 Cleaning



Before using any cleaning products, test a small area on the corner of the table to make sure the cleaning product does not cause discoloration or staining. DO NOT use an abrasive detergent or cleaner to clean the product.

Use water and a mild, non-abrasive cleaner to clean the overbed table.

6.2 Maintenance

The product is maintenance-free, provided the cleaning and safety instructions are followed at least every six (6) months. Check product regularly for damage and to ensure that it is securely assembled.

Occasional application of light oil lubrication between the inner and outer columns will help keep the overbed table operating smoothly.

6.3 Disposal

When the product can no longer be used, the product, accessories and the packaging materials should be sorted correctly. Please be environmentally responsible and recycle this product through your recycling facility at its end of life.

The disposal and recycling of used devices and packaging must comply with the applicable legal regulations.

LIMITED WARRANTY



PLEASE NOTE: THE WARRANTY BELOW HAS BEEN DRAFTED TO COMPLY WITH FEDERAL LAW APPLICABLE TO PRODUCTS MANUFACTURED AFTER JULY 4, 1975.

This warranty is extended only to the original purchaser/user of our products.

This warranty gives you specific legal rights and you may also have other legal rights which vary from state to state.

Invacare warrants its product to be free from defects in materials and workmanship for one year for the original purchaser. If within such warranty period any such product shall be proven to be defective, such product shall be repaired or replaced, at Invacare's option with refurbished or new parts. This warranty does not include any labor or shipping charges incurred in replacement part installation or repair of any such product. Product repairs shall not extend this warranty - coverage for repaired product shall end when this limited warranty terminates. Invacare's sole obligation and your exclusive remedy under this warranty shall be limited to such repair and/or replacement.

For warranty service, please contact the dealer from whom you purchased your Invacare product. In the event you do not receive satisfactory warranty service, please write directly to Invacare at the address on the back page. Provide dealer's name, address, model number, date of purchase, indicate nature of the defect and, if the product is serialized, indicate the serial number. Invacare Corporation will issue a return authorization. The defective unit or parts must be returned for warranty inspection using the serial number, when applicable, as identification within thirty days of return authorization date. DO NOT return products to our factory without our prior consent. C.O.D. shipments will be refused; please prepay shipping charges.

LIMITATIONS AND EXCLUSIONS: THE WARRANTY SHALL NOT APPLY TO PROBLEMS ARISING FROM NORMAL WEAR OR FAILURE TO ADHERE TO THE ENCLOSED INSTRUCTIONS. IN ADDITION, THE FOREGOING WARRANTY SHALL NOT APPLY TO SERIAL NUMBERED PRODUCTS IF THE SERIAL NUMBER HAS BEEN REMOVED OR DEFACED; PRODUCTS SUBJECTED TO NEGLIGENCE, ACCIDENT, IMPROPER OPERATION, MAINTENANCE OR STORAGE; OR PRODUCTS MODIFIED WITHOUT INVACARE'S EXPRESS WRITTEN CONSENT INCLUDING, BUT NOT LIMITED TO: MODIFICATION THROUGH THE USE OF UNAUTHORIZED PARTS OR ATTACHMENTS; PRODUCTS DAMAGED BY REASON OF REPAIRS MADE TO ANY COMPONENT WITHOUT THE SPECIFIC CONSENT OF INVACARE; PRODUCTS DAMAGED BY CIRCUMSTANCES BEYOND INVACARE'S CONTROL; PRODUCTS REPAIRED BY ANYONE OTHER THAN AN INVACARE DEALER, SUCH EVALUATION SHALL BE SOLELY DETERMINED BY INVACARE.

THE FOREGOING WARRANTY IS EXCLUSIVE AND IN LIEU OF ANY OTHER EXPRESS WARRANTIES, IF ANY, INCLUDING THE IMPLIED WARRANTIES OF MERCHANTABILITY AND FITNESS FOR A PARTICULAR PURPOSE. IT SHALL NOT EXTEND BEYOND THE DURATION OF THE EXPRESSED WARRANTY PROVIDED HEREIN AND THE REMEDY FOR VIOLATIONS OF ANY IMPLIED WARRANTY SHALL BE LIMITED TO REPAIR OR REPLACEMENT OF THE DEFECTIVE PRODUCT PURSUANT TO THE TERMS CONTAINED HEREIN. INVACARE SHALL NOT BE LIABLE FOR ANY CONSEQUENTIAL OR INCIDENTAL DAMAGES WHATSOEVER.

THIS WARRANTY SHALL BE EXTENDED TO COMPLY WITH STATE/PROVINCIAL LAWS AND REQUIREMENTS.

Invacare Continuing Care, Inc.

USA and Canada

One Invacare Way

Elyria, Ohio USA

44036-2125

800-668-2337

www.invacare-cc.com

Invacare Continuing Care, Inc.
A subsidiary of Invacare Corporation.

© 2016 Invacare Corporation All rights reserved. Republication, duplication or modification in whole or in part is prohibited without prior written permission from Invacare. Trademarks are identified by ™ and ®. All trademarks are owned by or licensed to Invacare Corporation or its subsidiaries unless otherwise noted.

1192682-A-01 2016-1-14



Making Life's Experiences Possible™



Yes, you can.®