




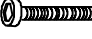
HEKMAN

ASSEMBLY INSTRUCTIONS

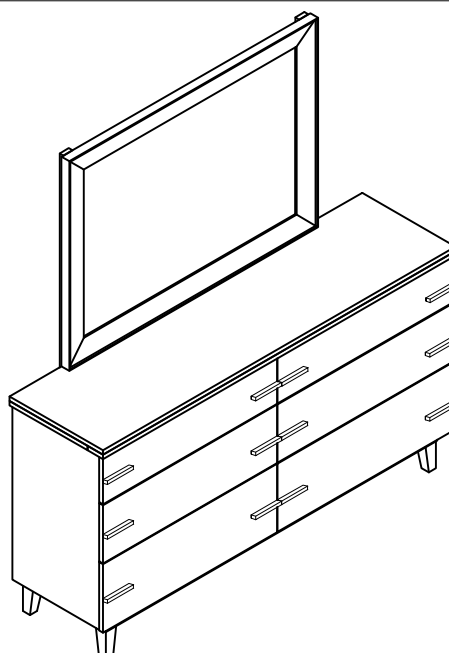
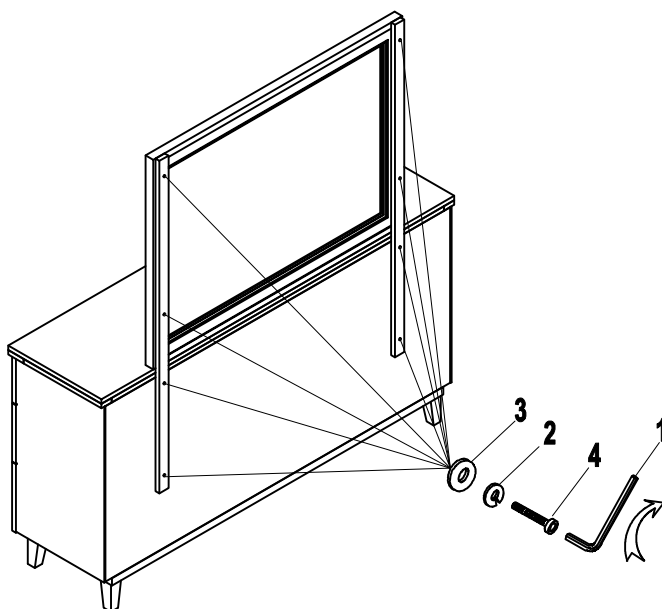
24360-66 Dresser/Mirror

⊕ A HOWARD MILLER COMPANY

HARDWARE LIST

NO.	DESCRIPTION	SKETCH	DIMENSION	Q'TY
1		ALLEN WRENCH	4MM	1pc
2		SPRING WASHER	Ø1/4"	8pcs
3		FLAT WASHER	Ø1/4"(19mm)	8pcs
4		BOLT	Ø1/4"x 44mm	8pcs

STEP 1



MADE IN VIETNAM