






HEKMAN

ASSEMBLY INSTRUCTIONS

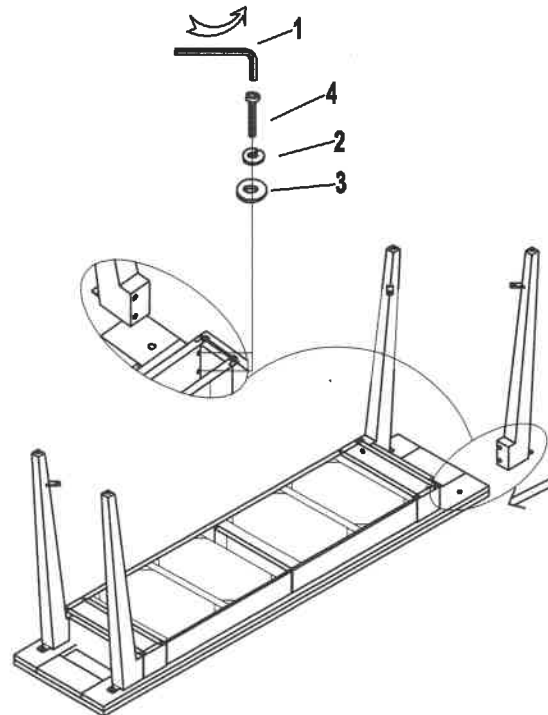
24306-Sofa Table w/ drawer metal leg

A HOWARD MILLER COMPANY

HARDWARE LIST				
NO.	DESCRIPTION	SKETCH	DIMENSION	QTY
1		ALLEN KEY	5MMxL75mm	1pc
2		SPRING WASHER	Ø5/16"	16pcs
3		FLAT WASHER	Ø5/16"(19mm)	16pcs
4		BOLT	Ø5/16"x 37mm	8pcs
5		BOLT	Ø5/16"x 19mm	8pcs

STEP 1 Lay Top Table Face down on a soft clean surface.

STEP 2 Assemble metal Legs With Bolts #4, Lock washer #2, and Flat washer #3, Do not fully tighten Bolts at this time



MADE IN VIETNAM

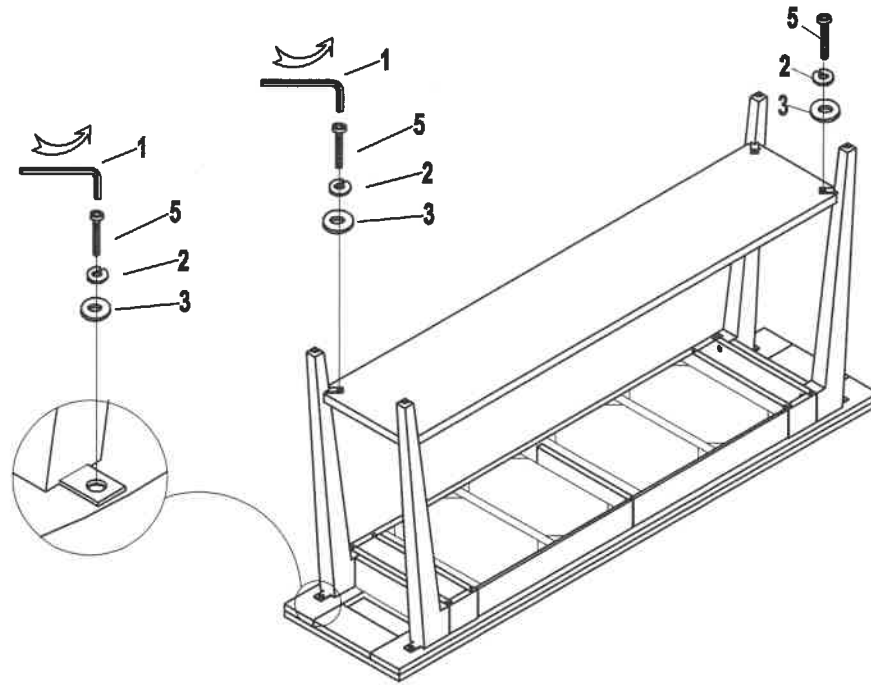
HEKMAN

ASSEMBLY INSTRUCTIONS

24306-Sofa Table w/ drawer metal leg

STEP 3 Assembly shelf with Bolts #5, Lock washer #2, and Flat washer #3
Don't tighten Bolts at this time

STEP 4 Assembly shelves with Bolts #4, Lock washer #2, and Flat washer #3



MADE IN VIETNAM