

NEWPORT BATH

HAND SHOWER SLIDE BAR

280F



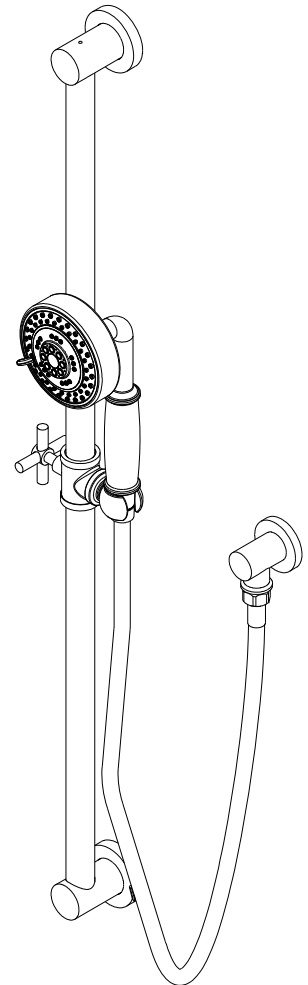
Features

Solid brass construction
Contemporary styling
Slide bar adjustment handle
Multi-function engine with 3 spray modes
Rubber nozzles facilitate easy cleaning
1/2" NPT inlet elbow fitting
4" (10.2 cm) showerhead diameter
1.8 GPM (6.8 LPM) Max

Codes / Standards Compliance

Meets or exceeds the following at date of manufacture:

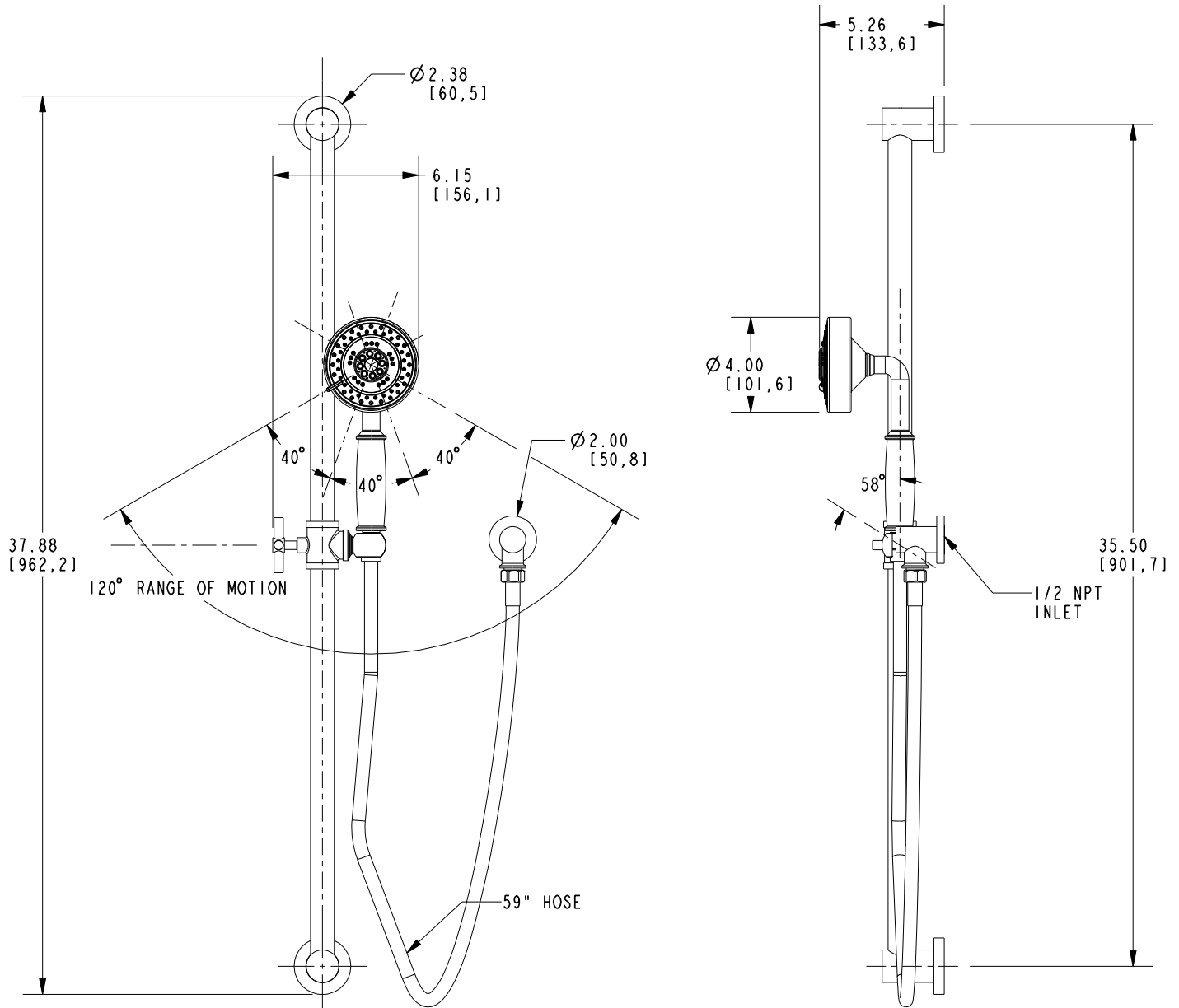
ASME A112.18.1/CSA B125.1-18
IAPMO/cUPC
IPC
Energy Policy Act of 1992
EPA WaterSense
California Energy Commission
ASME A112.18.3 (Back Flow)
All applicable US Federal and State material regulations



280F

PRODUCT DIMENSIONS (Units are in inches)

Product Dimensions are provided for reference only. For specific product installation guidelines, please reference the Installation Instructions of the product being installed.



HAND SHOWER SLIDE BAR

280F

Page 2 of 2
EN- 5003-1
REV E

NEWPORT BRASS
Flawless Beauty. From Faucet to Finish.

t: 949.417.5207 | www.newportbrass.com
©2025 NewportBrass