

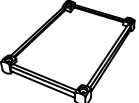
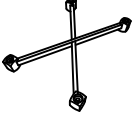





# HEKMAN®

A HOWARD MILLER COMPANY

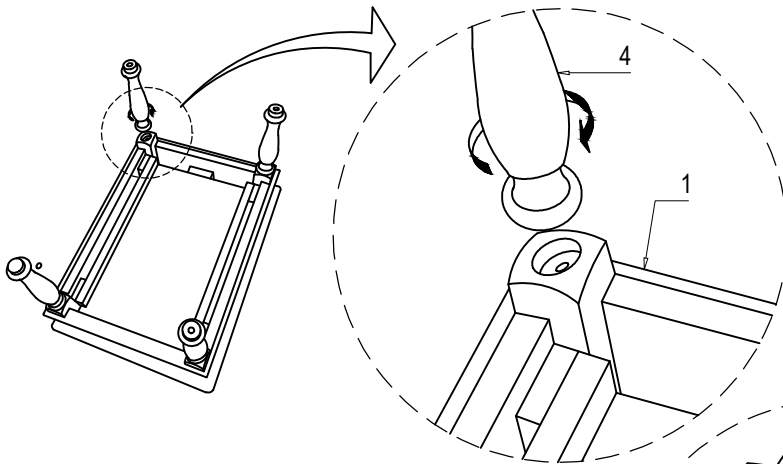
## 8-1227 SIDE TABLE

PART INSIDE						
<b>1</b> TOP ASSEMBLY (1 Pc)	<b>2</b> SHELF ASSEMBLY (1 Pc)	<b>3</b> STRETCHER ASSEMBLY (1 Pc)	<b>4</b> TOP LEG (4 Pcs)	<b>5</b> LOWER LEG (4 Pcs)	<b>6</b> FOOT (4 Pcs)	
						

### Assembly Instruction

#### STEP 1.

LAY TOP ASSEMBLY UPSIDE DOWN ON A SOFT, CLEAN AND FLAT SURFACE.  
TURN THE TOP LEGS (4) IN THE TOP ASSEMBLY (1).

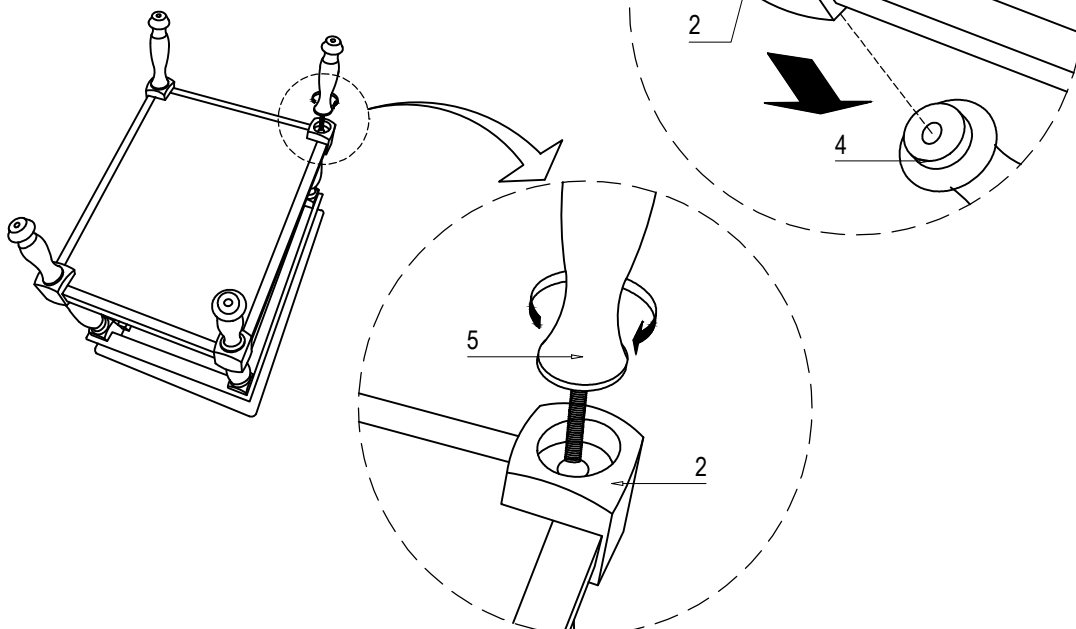


#### STEP 2.

PLACE SHELF ASSEMBLY (2) ON THE TOP LEGS (4).

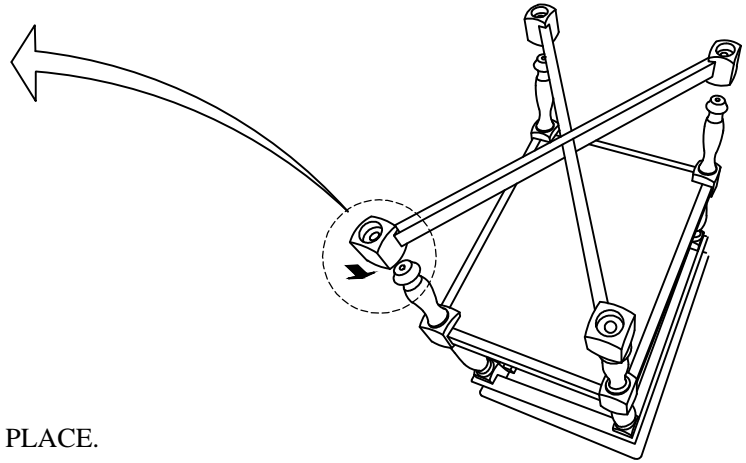
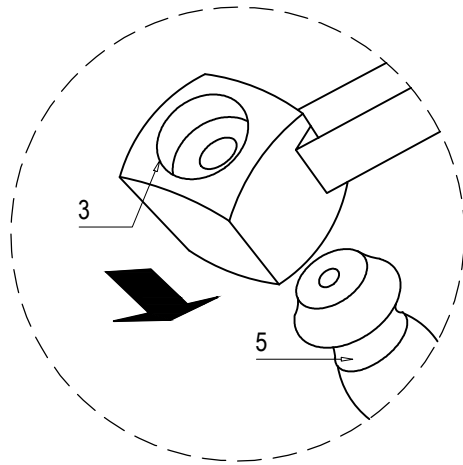
#### STEP 3.

TURN THEN LOWER LEGS (5) IN THE TOP LEGS  
LOCKING THE SHELF IN PLACE.



**STEP 4.**

PLACE STRETCHER ASSEMBLY (3) ON THE LOWER LEGS (5).



**STEP 5.**

TURN THE FEET INTO THE LOWER LEGS  
LOCKING THE STRETCHER ASSEMBLY IN PLACE.

