

CUSTOMER DRAWING

This drawing is the property of Rev-A-Shelf (RAS) and is disclosed in confidence to the extent its subject matter is original to RAS. Any vendor receiving this drawing from RAS shall hold and use this drawing for the sole benefit of RAS and shall not disclose it to, or use or reproduce it for any third party, or perform any act adverse to the interest of RAS with respect to this drawing without the express written permission of RAS. Vendors shall not revise any physical, dimensional or performance characteristic unless authorized by Rev-A-Shelf Engineering.

REV.	DATE	BY	DESCRIPTION OF CHANGE
B	7-17-13	KRR	ECN13-083
A	1/28/11	BKT	ECN11-010

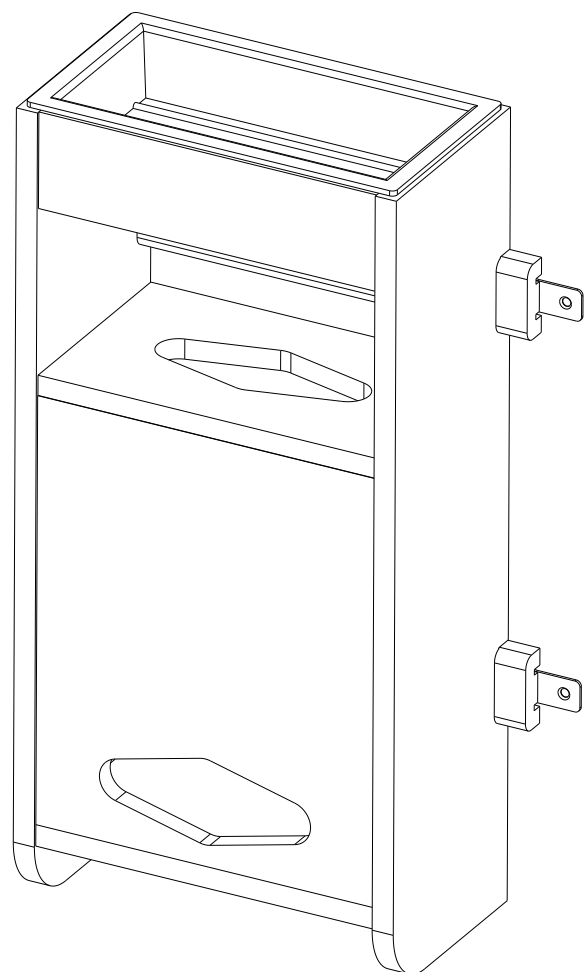
INCH [MM]	AMERICAN PROJECTION 	DRAWN	BY	DATE	REV-A-SHELF, INC.
			MGD	6/27/07	
					SIZE B
					DRAWING NO. 4SPBD-15
					SCALE 0.188
					PART NO. 4SPBD-15
					SHEET OF 1 2

TOLERANCES
 MAT. DEC.
 (WOOD) .XX ±.03 [.8mm]
 (OTHER) .XX ±.02 [.5mm]
 (ALL) .XXX ±.005 [.13 mm]
 FRACTIONS ±1/32 [.8 mm]

ANGLES
±1/2°

MATERIAL

FINISH



PART DIMENSIONS	
WIDTH *	10.50 [266,7]
DEPTH	5.00 [127]
HEIGHT	18.62 [472,9]

* NOT INCLUDING BRACKETS

MIN CABINET OPENING				
	FACE FRAME	FRAMELESS	INSET FACE FRAME	INSET FRAMELESS
WIDTH	11.63 [295]	11.63 [295]	11.63 [295]	11.63 [295]
DEPTH	5.25 [133]	5.25 [133]	6.00 [152]	6.00 [152]
HEIGHT	19.00 [483]	19.00 [483]	19.00 [483]	19.00 [483]

SLIDE SPECIFICATIONS				
SLIDE TYPE	N/A	SLIDE EXTENSION	N/A	MAX WEIGHT RATING
SLIDE CLOSING	N/A	SLIDE LENGTH	N/A	
SLIDE MOUNTING	N/A	SLIDE FINISH	N/A	N/A

CUSTOMER DRAWING

This drawing is the property of Rev-A-Shelf (RAS) and is disclosed in confidence to the extent its subject matter is original to RAS. Any vendor receiving this drawing from RAS shall hold and use this drawing for the sole benefit of RAS and shall not disclose it to, or use or reproduce it for any third party, or perform any act adverse to the interest of RAS with respect to this drawing without the express written permission of RAS. Vendors shall not revise any physical, dimensional or performance characteristic unless authorized by Rev-A-Shelf Engineering.

REV.	DATE	BY	DESCRIPTION OF CHANGE
B	7-17-13	KRR	ECN13-083
A	1/28/11	BKT	ECN11-010

INCH [MM]	AMERICAN PROJECTION	DRAWN	BY	DATE	REV-A-SHELF, INC.
			MGD	6/27/07	
					SIZE B
					10-1/2" GROCERY BAG HOLDER
					DRAWING NO. 4SPBD-15
					SCALE 0.250
					FINISH
					PART NO. 4SPBD-15
					SHEET 2 OF 2

TOLERANCES
 MAT. DEC.
 (WOOD) .XX ±.03 [.8mm]
 (OTHER) .XX ±.02 [.5mm]
 (ALL) .XXX ±.005 [.13 mm]
 FRACTIONS ±1/32 [.8 mm]

ANGLES ±1/2°