

Job Name:

Engineer/Architect:

Job Location:

Wholesaler:


Submittal Date:

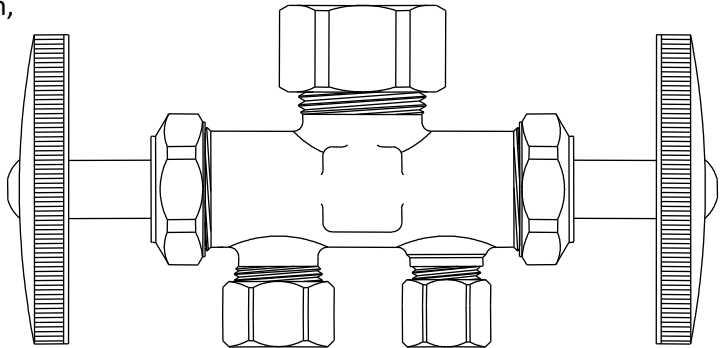
Contractor:

CR1900/1901DVSX Multi-Turn Straight Stop Dual Outlet, Dual Shut-off - Compression Inlet

Use: For use in potable water distribution systems in accessible locations only. Not intended for recirculation systems/continuous use temperatures above 115° F. For those applications, use our KT™ series ball stop.

Design Features:

- **Independent flow control.** Dual outlet, dual shut-off operation permits you to shut-off water flow to one fixture while maintaining water flow to another fixture
- **Code approved replacement** where separate shut-offs are required for two lines
- **Straight inlet to outlet design** (same-side outlets) is great for installations in tight spaces
- **Forged one-piece brass body** provides strength, durability, and long-lasting performance
- **Knurled oval handle** provides a secure grip and smooth on/off operation
- **Easy-to-remove handle** with screw attachment protects accidental stop operation during rough-ins
- 



Operating Specifications:

Temperature: 40° - 160° F

Pressure: 125 PSI maximum

STOP MATERIAL SPECIFICATIONS

Body	Brass
Stem	POM
Bib & Packing Washers	Rubber
Packing Nut	Brass
Handle	Metal, plated
Handle Screw	Steel, zinc plated
Compression Sleeve	Brass
Compression Nut	Brass

Part Listing:

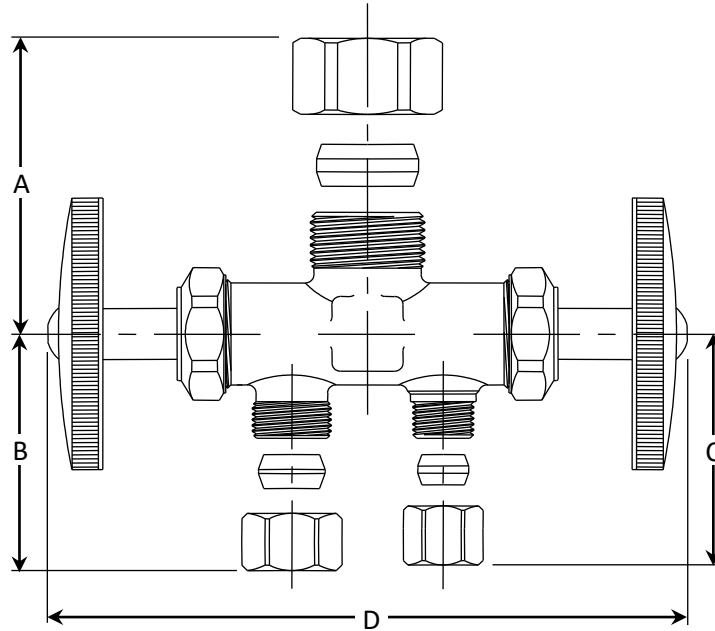
- | | | |
|--------------------------|--------------|---|
| <input type="checkbox"/> | CR1900DVSX R | 1/2" nom compression x 3/8" OD compression x 1/4" OD compression, rough brass |
| <input type="checkbox"/> | CR1901DVSX C | 1/2" nom compression x 3/8" OD compression x 3/8" OD compression, chrome plated |
| <input type="checkbox"/> | CR1901DVSX R | 1/2" nom compression x 3/8" OD compression x 3/8" OD compression, rough brass |

This specification and all information contained herein is the confidential and exclusive property of Brasscraft Manufacturing Company and shall not be disclosed to others without the written consent of Brasscraft Mfg. Co. This specification must be returned to Brasscraft Mfg. Co. if requested

BrassCraft®

CR1900/1901DVSX Multi-Turn Dual Outlet, Dual Shut-off Straight Stop - Compression Inlet

PART DIMENSIONS (Inches)				
Model	DIM. A	DIM. B	DIM. C	DIM. D
CR1900DVSX	1.17	1.06	1.06	4.30
CR1901DVSX	1.25	1.00	1.00	4.30



Listings & Certifications:

- IAPMO listed to ASME A112.18.1 / CSA B125.1 (includes NSF/ANSI 372 and NSF/ANSI/CAN 61)



This specification and all information contained herein is the confidential and exclusive property of Brasscraft Manufacturing Company and shall not be disclosed to others without the written consent of Brasscraft Mfg. Co. This specification must be returned to Brasscraft Mfg. Co. if requested

BrassCraft®