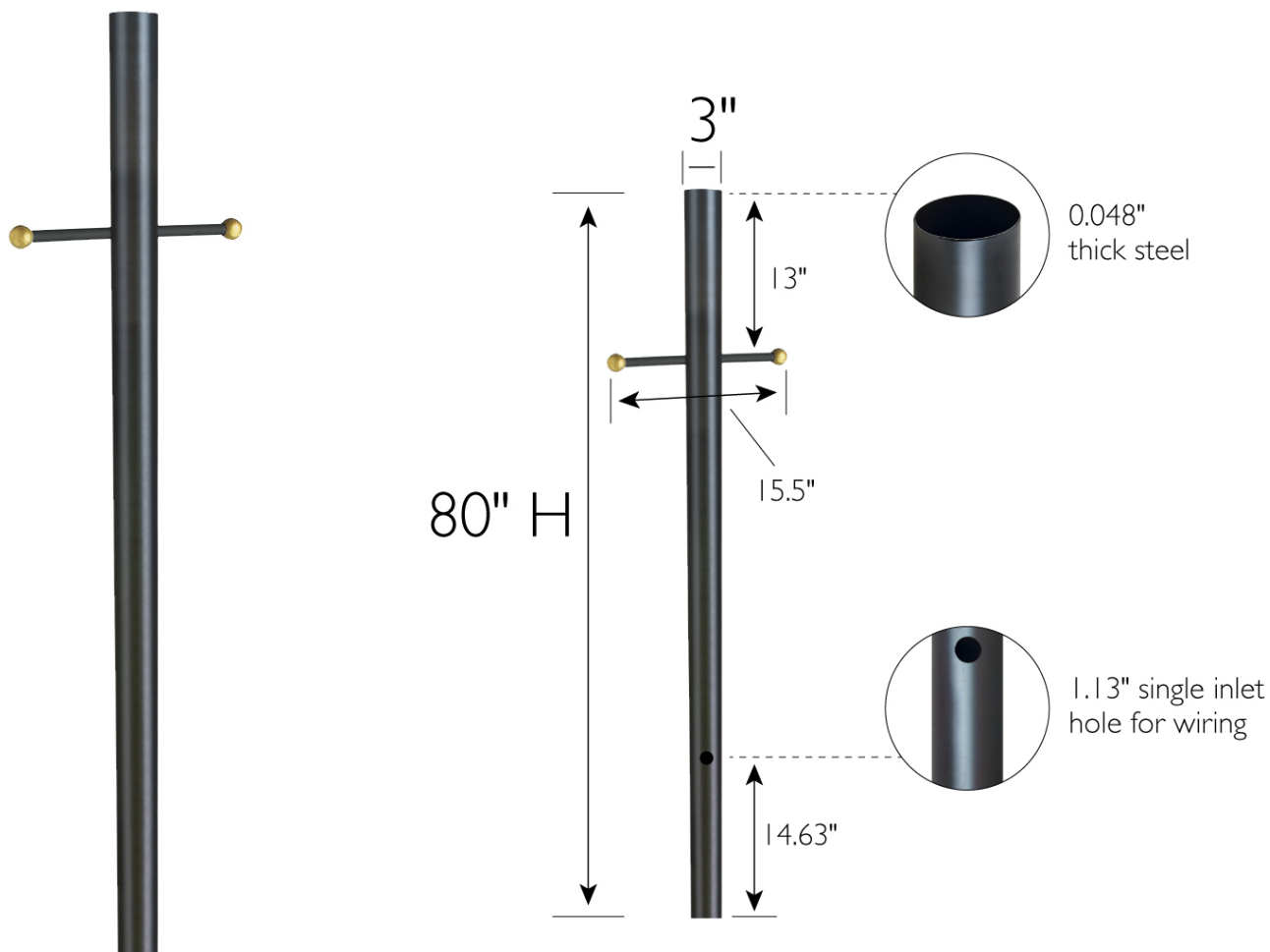


Outdoor Lamp Post with Cross Arm  
Black



**SPECIFICATIONS**

MOUNTING:	Direct Burial
MATERIAL CONSTRUCTION:	Steel
ASSEMBLED DIMENSIONS:	80" H x 3" L x 3" D
WEIGHT:	9.72 lbs.

WARRANTY:	10-Year limited warranty
UL/ETL CERTIFICATION:	N/A
WET/DRY/DAMP LISTING:	N/A
ADA COMPLIANT:	N/A
ENERGY STAR CERTIFIED:	N/A



TYPE:  
JOB:  
ORDER CODE:  
APPROVALS:

### Mayfield Outdoor Post Top Light Black



Fits 3" lamp post or pier mount  
(not included)

#### SPECIFICATIONS

MOUNTING:	Pier or Post Mount	LED BRIGHTNESS (LUMENS):	N/A
SLOPED CEILING ADAPTABLE:	No	LED COLOR CORRELATED TEMPERATURE (CCT):	N/A
LAMP TYPE 1:	Maximum 60W Medium Base Bulb	LED COLOR RENDERING INDEX (CRI):	N/A
BULB INCLUDED:	No	LED EFFICACY:	N/A
WATTS PER BULB:	60W	LED AVERAGE RATED LIFE:	N/A
TOTAL WATTAGE:	180W	ENERGY EFFICIENT:	N/A
DIMMABLE:	No	LIGHTING AMPS:	1.5
MATERIAL CONSTRUCTION:	Aluminum/Glass	VOLTAGE:	120V
ASSEMBLED DIMENSIONS:	17.75" H x 7.63" L x 7.63" D		
WEIGHT:	5.94 lbs.		
BACKPLATE DIMENSIONS:	N/A		
CANOPY/PLATE DIMENSIONS:	N/A		
GLASS/SHADE DIMENSIONS:	13.25" H x 7.13" L x 7.13" D		
GLASS/SHADE MATERIAL:	Glass		
GLASS/SHADE TYPE:	Clear		
GLASS/SHADE COLOR:	Clear		

WARRANTY:	10-Year limited warranty
UL/ETL CERTIFICATION:	cETL/ETL
WET/DRY/DAMP LISTING:	Wet
ADA COMPLIANT:	No
ENERGY STAR CERTIFIED:	No



TYPE:  
JOB:  
ORDER CODE:  
APPROVALS: