

ring

Solar Pathlight
Smart Lighting



Download the Ring app.

The app walks you through setting up and managing your Pathlight.

Search for “Ring” in one of these app stores, or visit: ring.com/app



Set up your Ring Bridge.

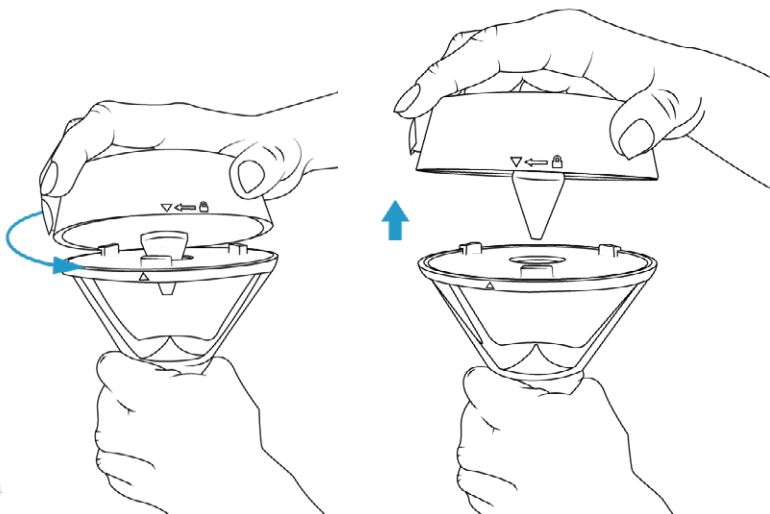
The Bridge is required to connect your Ring Smart Lights to the Ring app and other compatible Ring devices.

To set up your Bridge, follow the instructions in the Ring app or the Bridge user manual.



Remove the top cap.

While holding the bottom securely, twist the top cap counterclockwise to unlock it, then remove it from the base.

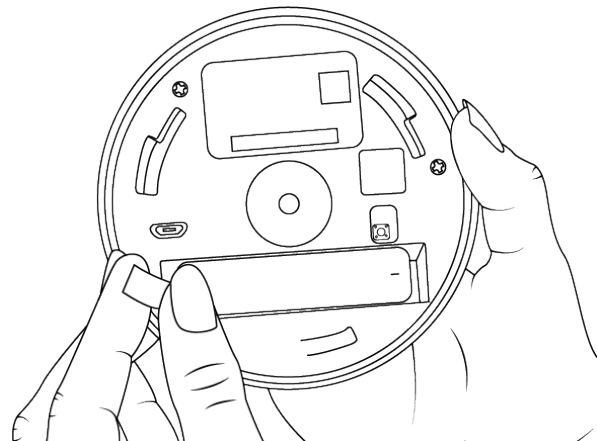


Remove the battery pull-tab.

Once removed, the included lithium-ion battery will be activated and your Pathlight will flash twice to indicate its powered on.



Risk of fire, explosion, or burn. Do not short circuit, crush, heat above 60°C, incinerate, or disassemble the battery.



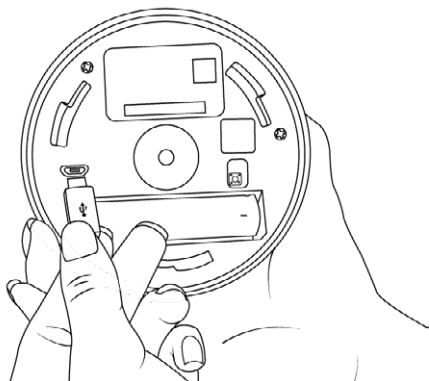
Charge your Pathlight.

Plug the provided micro USB cable into a USB power supply (not included), then connect it to your Pathlight to charge its battery.

The light will slowly turn on and off while charging. When it glows continuously, it's fully charged and you can unplug the USB cable.



If you can't wait to play with your Pathlight, go ahead and set it up. But we recommend you fully charge it before installation.

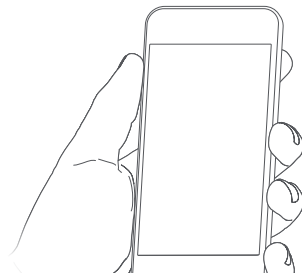


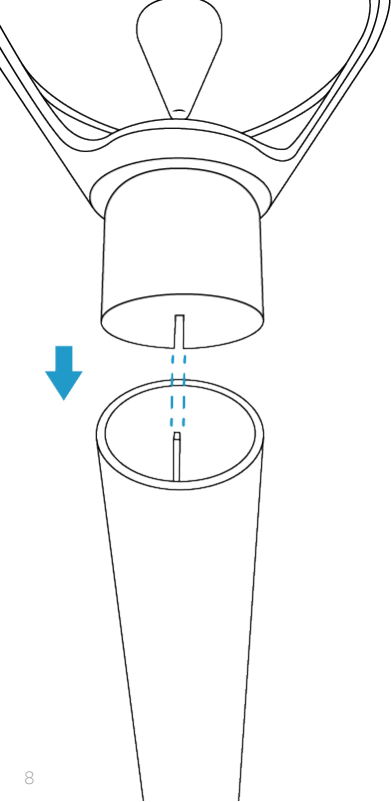
Set up your Pathlight in the Ring app.

In the app, tap **Set Up a Device**.

When prompted, select **Smart Lighting** and follow the in-app instructions.

Once setup is complete, place the top cover back onto your Pathlight. Turn it clockwise to the "lock" position to secure it. Ensure the arrow and lock on back of unit line up.



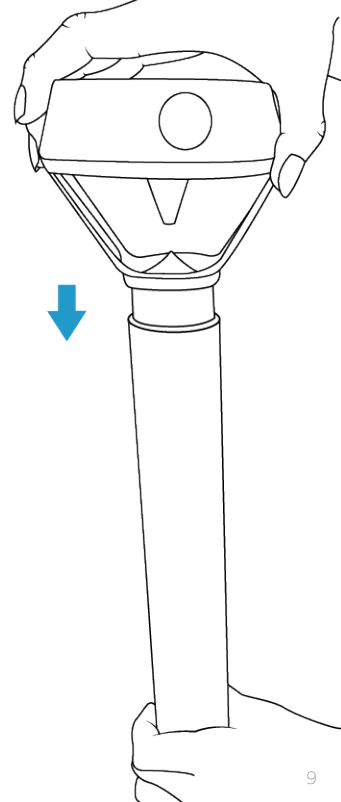


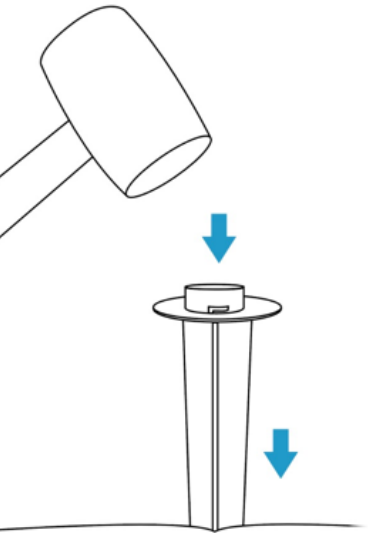
Align the guide rib.

Guide the channel in the bottom of the light onto the rib inside the pole.

Attach the light.

Carefully join the light housing and the pole, and push until they fit together snugly.

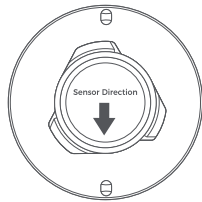




Drive the stake.

Gently drive the stake into the ground at your chosen location that gets direct sunlight.

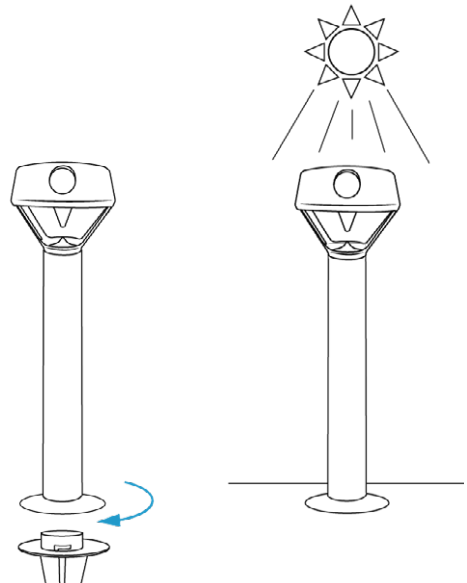
Make sure the “Sensor Direction” arrow is pointing toward the area you want to monitor for motion.



If you're installing multiple Pathlights, space them 5-7 feet apart for the best motion sensing performance.

Attach your Pathlight.

Lower your Pathlight onto the stake and twist clockwise until it clicks to lock it into place.



For additional help, visit: ring.com/help

Or give us a call...

US 1 800 656 1918

Canada 1 855 300 7289

Worldwide +1 310 929 7085

For a list of all our customer support numbers,
visit: ring.com/callus

© 2019 Ring LLC or its affiliates.

Ring and all related logos are trademarks of Ring LLC or its affiliates.