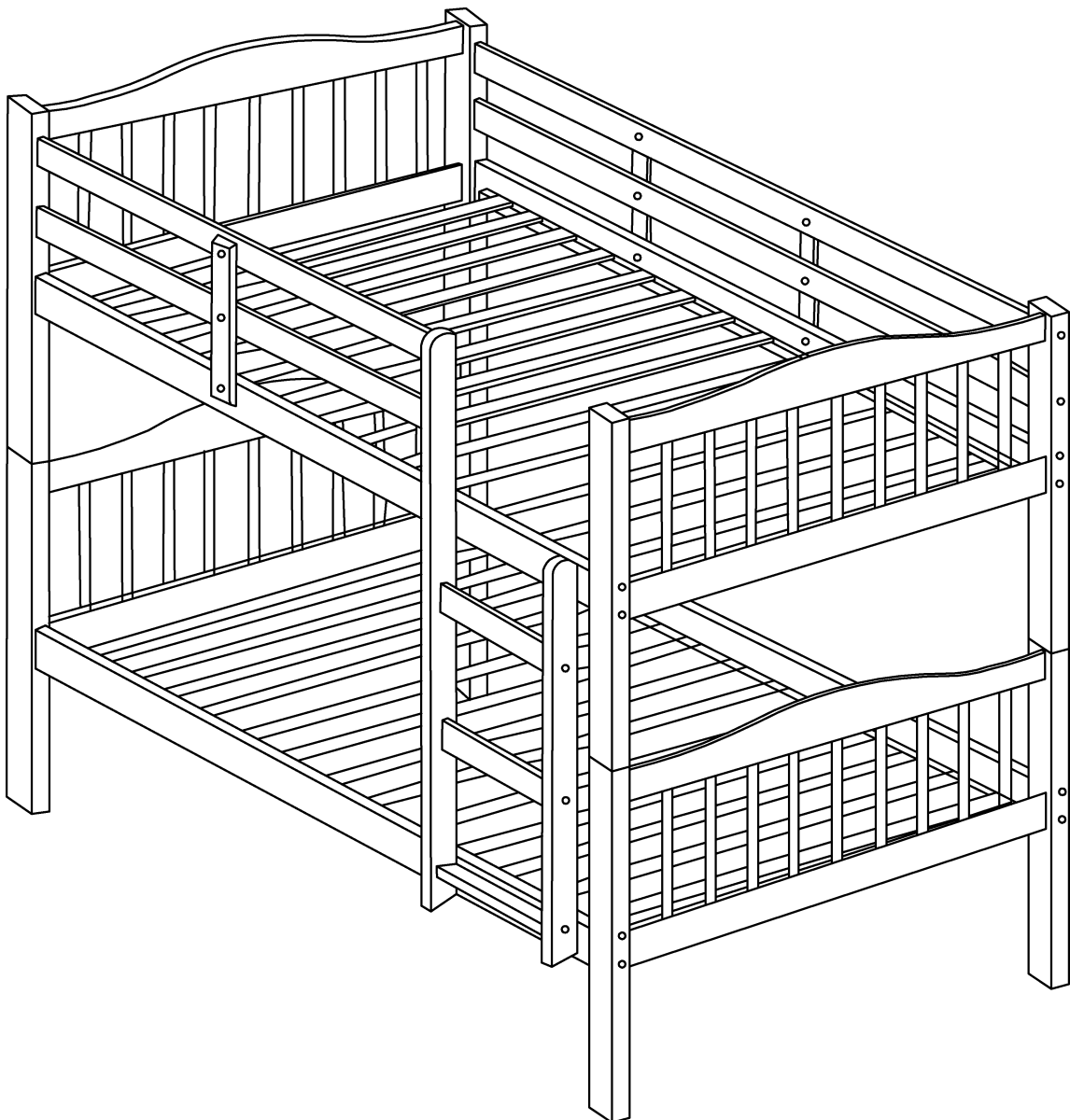


ASSEMBLY INSTRUCTION



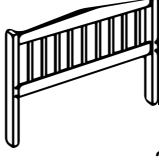



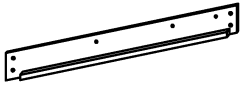

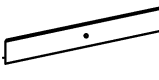
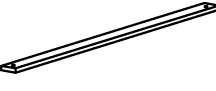

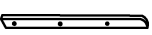
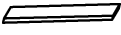

Follow the information on the warning appearing on the upper bunk end structure and on the carton. Do not remove warning label from bed.

The use of water or sleep flotation mattresses is prohibited.




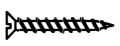
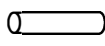





ASSEMBLY INSTRUCTION

Component List

P1 Side Panel (Left 18 Holes)	P2 Side Panel (Right 12 Holes)	P3 Side Panel (Under)	P4 Bottom Back Side Rail(No Hole)	P5 Bottom Front Side Rail(2 Holes)
				
1 pc	1 pc	2 pcs	1 pc	1 pc
P6 Top Back Side Rail(2 Holes)	P7 Top Front Side Rail(3 Holes)	P8 Back Guard Rail (2 Holes)	P9 Front Guard Rail (1 Hole)	P10 Slats
				
1 pc	1 pc	2 pcs	2 pcs	26 pcs
P11 Ladder Post (Left)	P12 Ladder Post (Right)	P13 Ladder Steps	P14 Guard Rail Retainers	
				
1 pc	1 pc	3 pcs	3 pcs	

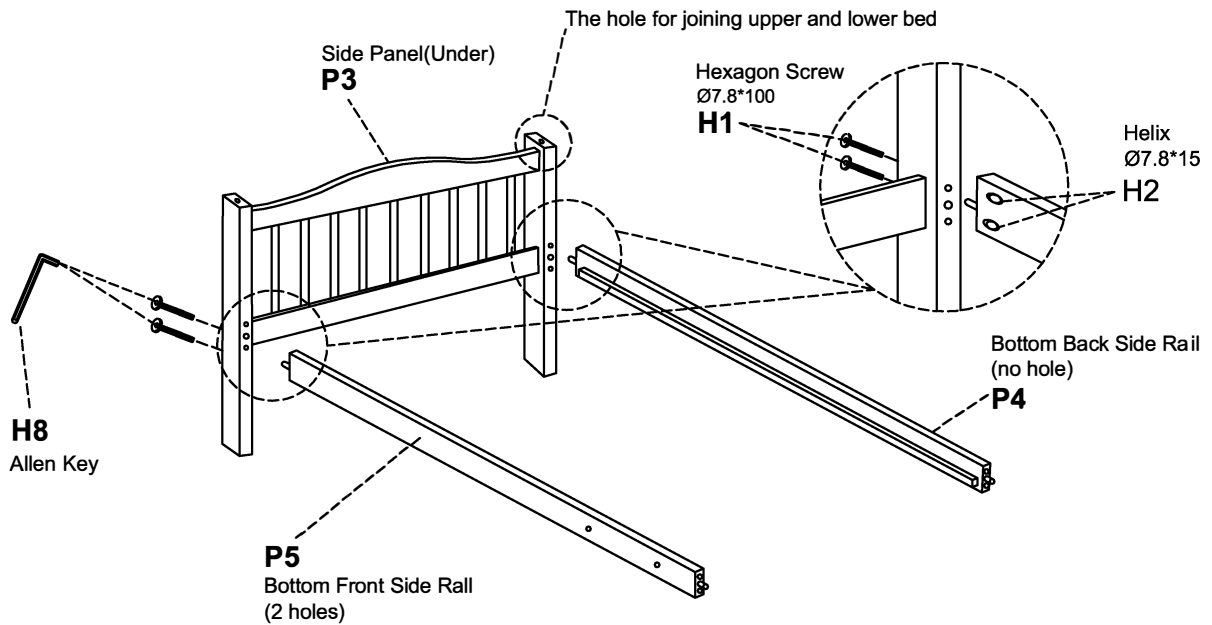
Hardware List

H1 Hexagon Screw Ø7.8*100mm	H2 Helix Ø7.8*15mm	H3 Hexagon Screw Ø6.3*35mm	H4 Screw Ø4*30mm	H5 Metal Dowel Ø10*90mm
				
22 pcs	22 pcs	9 pcs	52 pcs	4 pcs
H6 Hexagon Screw Ø6.3*40mm	H7 Hexagon Screw Ø6.3*50mm	H8 Allen Key		
				
6 pcs	6 pcs	1 pc		

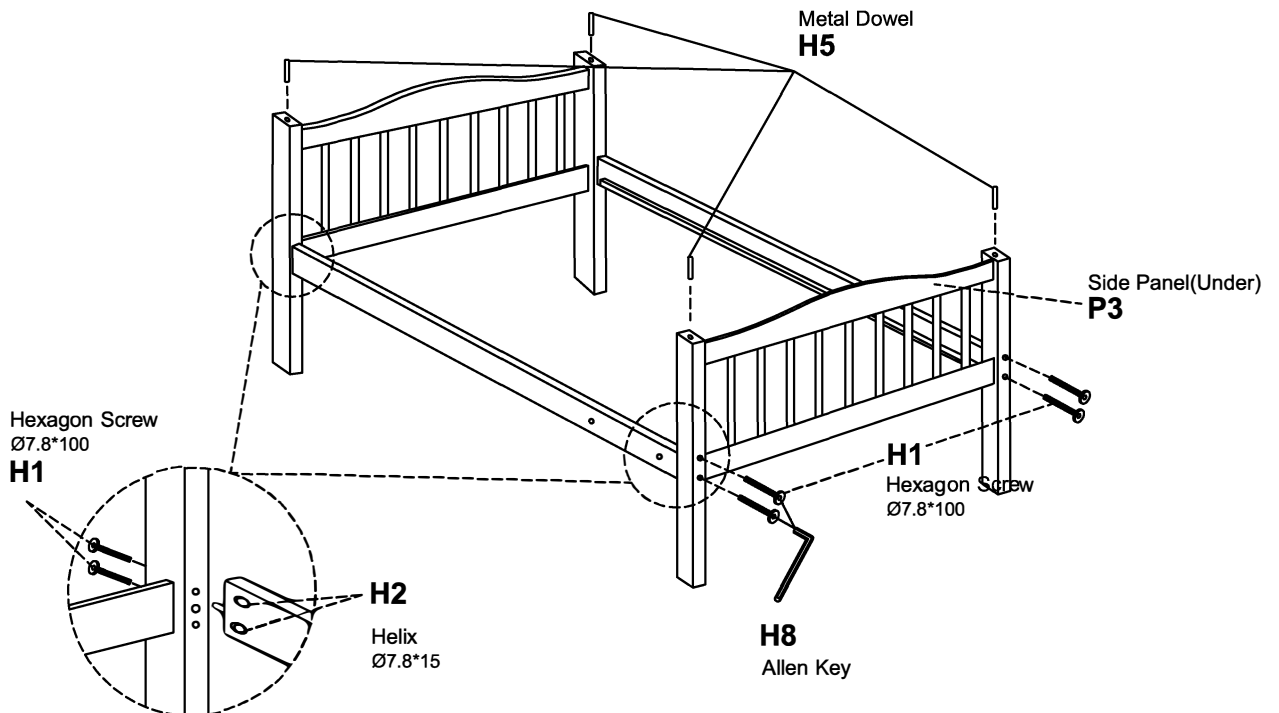
This page lists all the contents included in the box. Please take the time to identify the hardware as well as the individual components to this product. As you unpack and prepare for assembly, place the contents on a carpeted or padded area to protect them from damage.

1

Put the side panel (P3) beside the wall and attach the bottom back side rail (no hole) (P4) and bottom front side rail (2 holes) (P5) joining them to the lower left headboard by hexagon screw $\text{7.8}\times\text{100}$ (H1) and helix $\text{7.8}\times\text{15}$ (H2) after that tighten screw by allen key (H8).

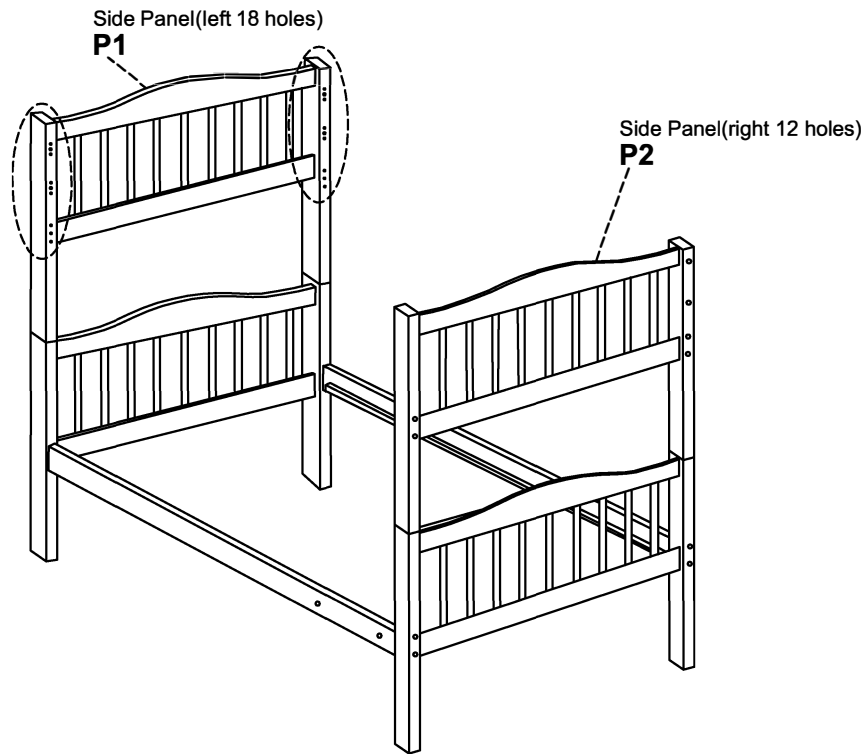
**2**

Attach the bottom back side rail (P4) and bottom front side rail (P5) join them to side panel (P3) and tighten screws by allen key (H8) and put 4pcs metal dowels (H5) into the holes joining bed.



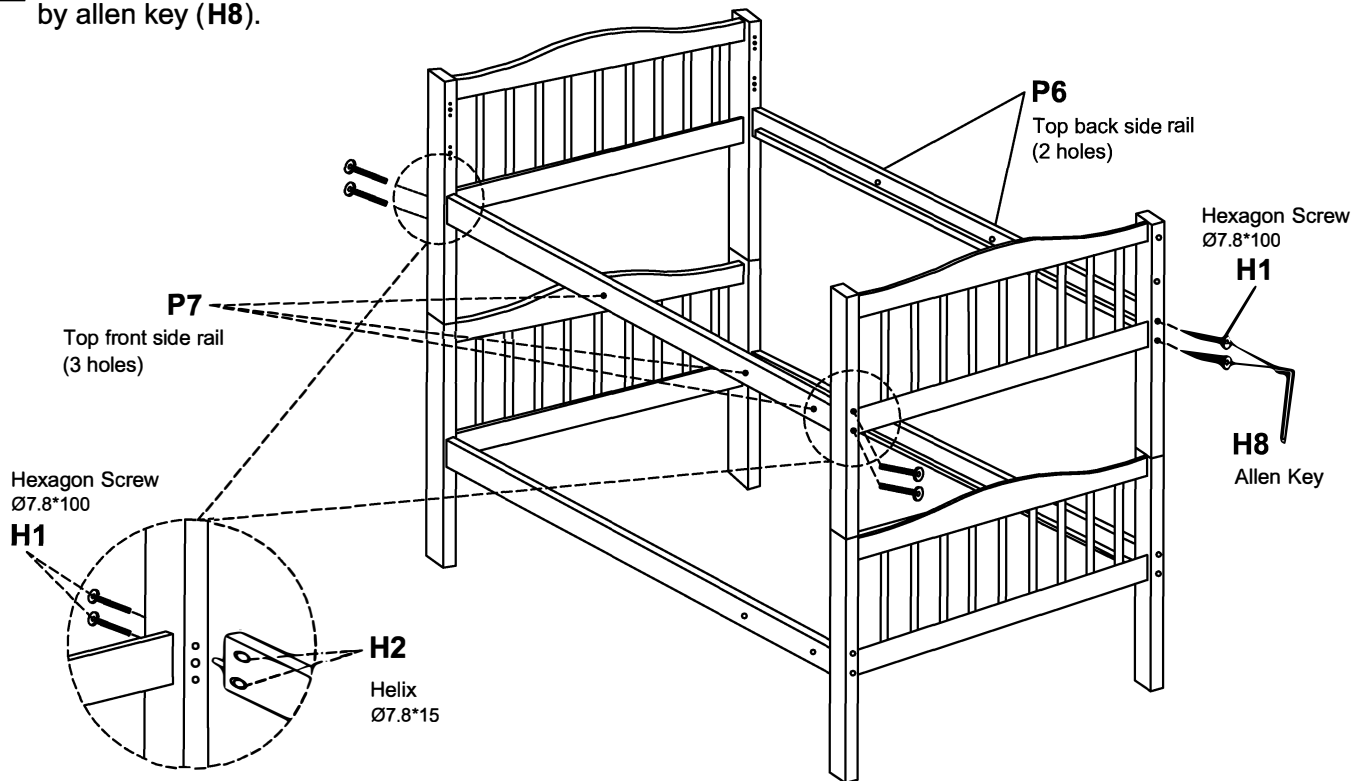
3

Join the side panel (18 holes) marked (P1) and side panel (12 holes) marked (P2) with lower bed as it below the picture.



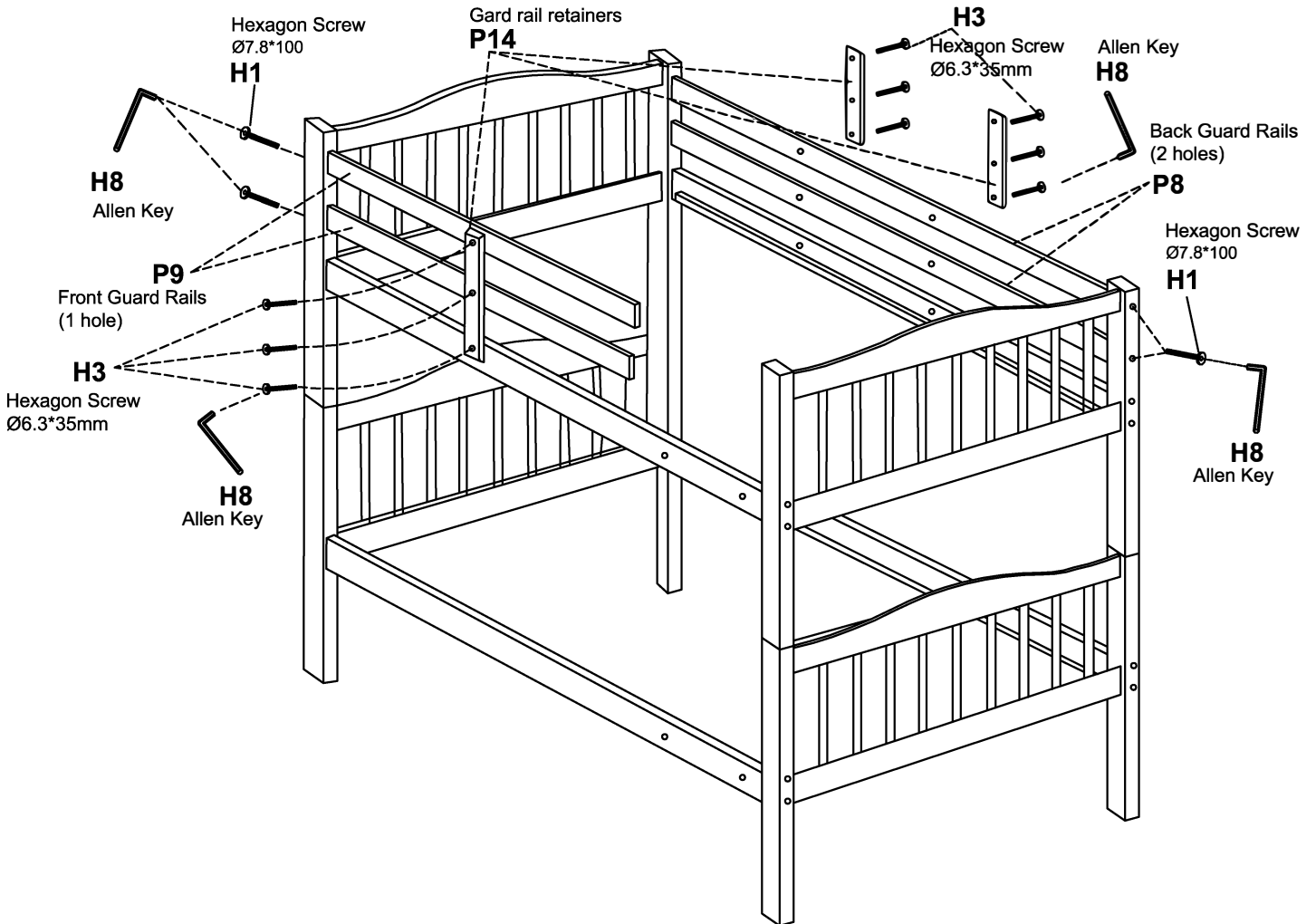
4

Attach the top back side rail (2 holes) marked (P6) and top front side rail (3 holes) (P7) with side panel (P1) and side panel (P2) by using screws (H1) and helix (H2) but do not fully tighten screws by allen key (H8).



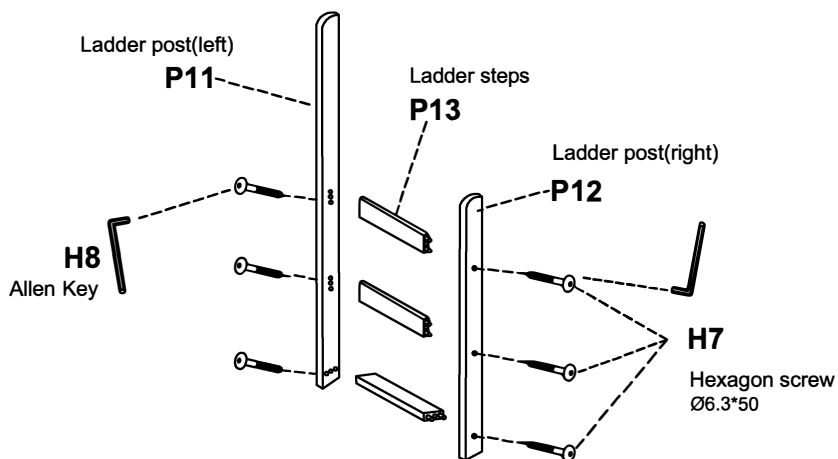
5

Attach the back guard rail (2 holes) marked (P8) and front guard rails (1 hole) marked (P9) with upper side panels by using screw (H1) and helix (H2) after that tighten screw by allen key (H8) and linking 3 guard rail retainers marked (P14) with together by screws (H3) and using allen key marked (H8).



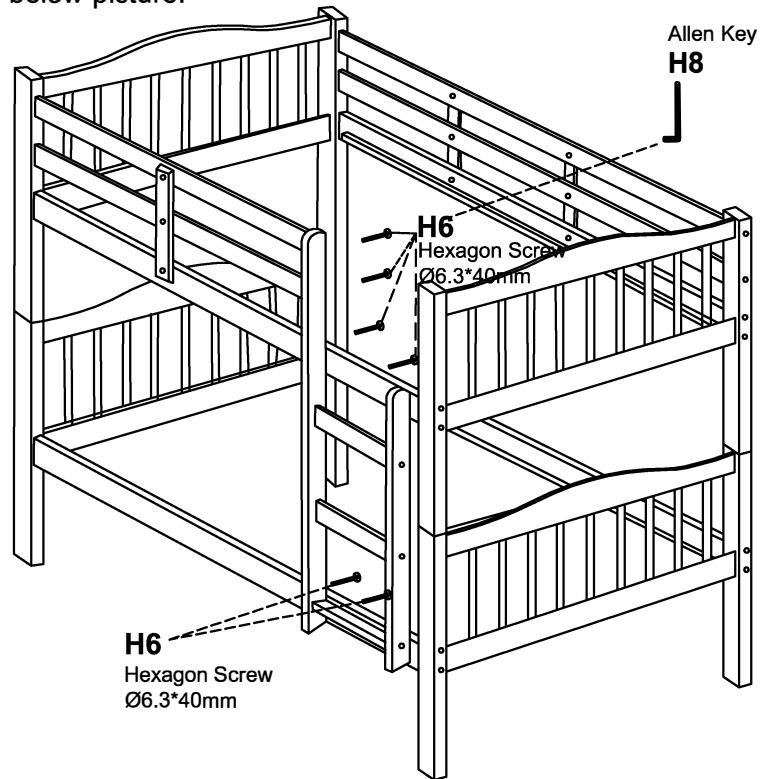
6

Set up the ladder according to instrution as the below picture and tighten screws by allen key .

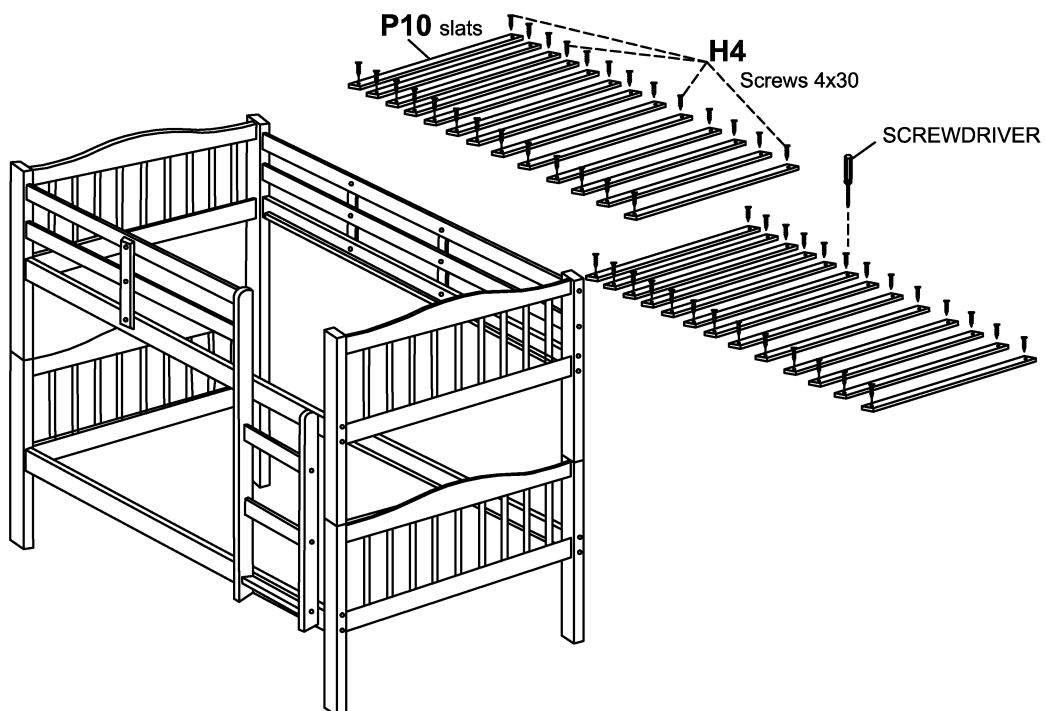


7

Attach the ladder with the bunk bed, with screws (H6) and tighten screws by allen key (H8) from inside of the bunk bed as the below picture.

**8**

Tighten all screws, put 13 slats for each of bed and use screws marked (H4) and tighten all slats by screwdriver (not provide) as the below picture.



Cleaning & Care

Treat surface with care. Surface is resistant to scratches but is not scratch resistant. Clean surfaces with a dry or damp soft cloth. Do not use abrasive cleaners. Hardware may loosen over time. Periodically check that all connections are tight.

IMPORTANT NOTICE

- Please only use Standard Twin Size Mattress -74"-75"long and 37 1/2"-38 1/2" wide
- Ensure thickness of mattress does not exceed7"and mattress is at least 5"below upper edge of guardrails

SAFETY WARNING

- Do Not remove warning label from bed
- Always use the recommended size mattress or mattress support,or both,to help prevent the likelihood of entrapment or falls
- Surface of mattress must be at least 5"(127mm)below the upper edge of guardrails
- Do not allow children under 6 years of age to use the upper bunk
- Periodically check and ensure that the guardrail, ladder,and other components are in their proper position,free from damage, and that all connectors are tight
- Do not allow horseplay on or under the bed and prohibit jumping on the bed
- Always use the ladder for entering and leaving the upper bunk
- Do not use substitute parts-Contact the manufacturer or dealer for replacement parts
- Use of night light may provide added safety precaution for a child using the upper bunk
- Always use guardrails on both long sides of the upper bunk.If the bunk bed will be placed next to the wall,the guardrail that runs the full length of the bed should be placed against the wall to prevent entrapment between the bed and wall
- The used of water or sleep flotation mattress is prohibited
- STRANGULATION HAZARD-Never attach or hang items to any part of the bunk bed that are not designed for use with the bed;for example,but not limited to,hooks,belts,and jump ropes
- Keep these instructions for future reference