

Installation Instructions

Intelligent Toilet

Record your model number:
Noter le numéro de modèle:
Anoté su número de modelo: _____

Français, page 11
Español, página 20






KOHLER®

Thank You for Choosing KOHLER

Need help? Contact our Customer Care Center.

- USA/Canada: 1-800-4KOHLER (1-800-456-4537)
- Mexico: 001-800-456-4537
- For service parts, visit kohler.com/serviceparts.
- For care and cleaning, visit kohler.com/clean.
- Patents: kohlercompany.com/patents

Important Information

-  **WARNING: Risk of electric shock.** Disconnect the power before servicing.
-  **WARNING: Risk of electric shock.** Connect only to a properly-grounded, grounding-type receptacle which is protected by a dedicated 120 V, 15 A minimum, 60 Hz Ground-Fault Circuit-Interrupter (GFCI)*. Do not remove the grounding pin or use a grounding adapter.
-  **CAUTION: Risk of personal injury.** This product is heavy. Lift the toilet with two people, using proper lifting technique.
-  **CAUTION: Risk of hazardous gases.** If the new toilet is not installed immediately, temporarily place a rag in the floor flange.
-  **CAUTION: Risk of property damage.** This product is not intended to be installed where temperatures will drop below 32°F (0°C). The design of the toilet makes it difficult to remove all water from the tank. If frozen, the water could damage the tank resulting in leaking.

IMPORTANT! This product requires a minimum static pressure of 30 psi (206.8 kPa) for satisfactory rim wash performance. Maximum static pressure is 80 psi (552 kPa).

IMPORTANT! Use the supply hose provided with the fixture. Do not reuse a previously installed hose.


Follow all local plumbing and electrical codes.

Installation of a water-hammer arrestor is required.

*Outside North America, this may be known as a Residual Current Device (RCD).

Grounding Instructions

This product should be grounded. In the event of an electrical short circuit, grounding reduces the risk of electric shock by providing an escape wire for the electric current. This product is equipped with a cord having a grounding wire with a grounding plug. The plug must be plugged into an outlet that is properly installed and grounded.

 **DANGER: Risk of electric shock.** Improper use of the grounding plug can result in a risk of electric shock.

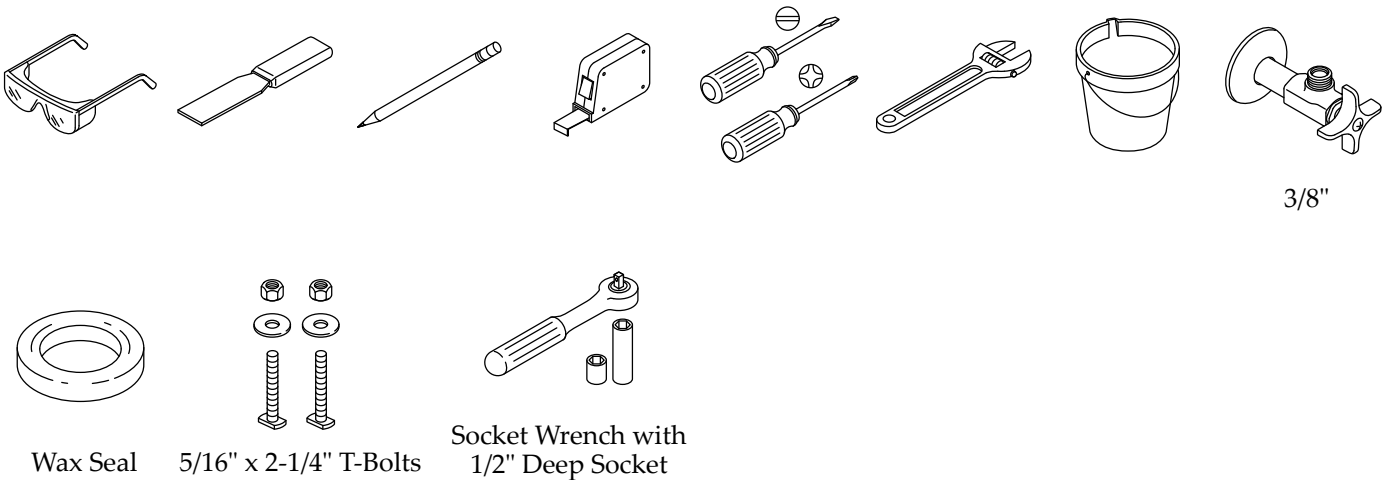
If repair or replacement of the cord or plug is necessary, do not connect the grounding wire to either flat blade terminal. The wire with insulation having an outer surface that is green with or without yellow stripes is the grounding wire.

Check with a qualified electrician or service personnel if the grounding instructions are not completely understood, or if in doubt whether the product is properly grounded.

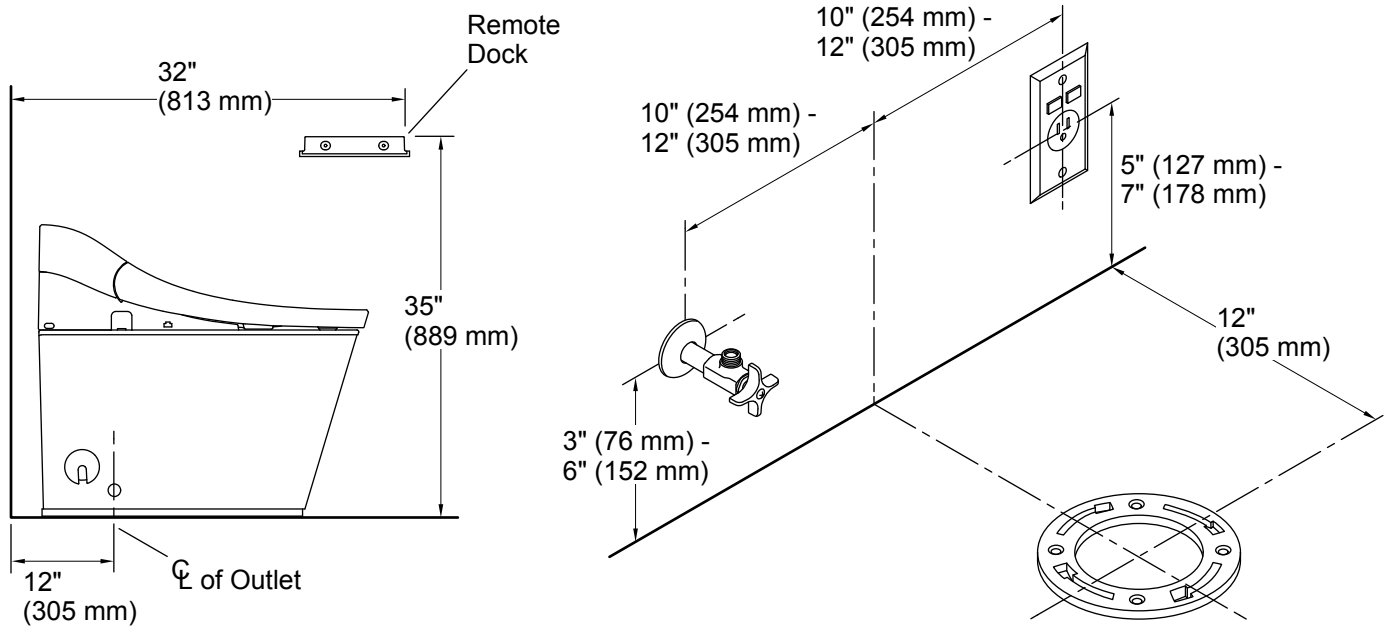
This product is factory equipped with a specific electric cord and plug to permit connection to a proper electric circuit. Make sure that the product is connected to an outlet having the same configuration as the plug. No adapter should be used with this product. Do not modify the plug provided — if it will not fit the outlet, have the proper outlet installed by a qualified electrician. If the product must be reconnected for use on a different type of electric circuit, the connection should be made by qualified service personnel.

Do not use an extension cord with the product.

Tools and Materials



1. Prepare the Site



⚠ WARNING: Risk of electric shock. Connect only to a properly-grounded, grounding-type receptacle which is protected by a dedicated 120 V, 15 A minimum, 60 Hz Ground-Fault Circuit-Interrupter (GFCI)*. Do not remove the grounding pin or use a grounding adapter.

NOTICE: Do not locate the supply stop or electrical outlet directly behind the toilet. The locations illustrated above are suggested. Make sure that all installations adhere to applicable codes.

The toilet is equipped with a motion sensor to automatically open the cover when movement is sensed. This sensor has a maximum range of 51-1/2" (1300 mm). Sensitivity can be adjusted or turned off using the remote control. Refer to the Homeowners Guide.

*Outside North America, this may be known as a Residual Current Device (RCD).

Install the Water Supply

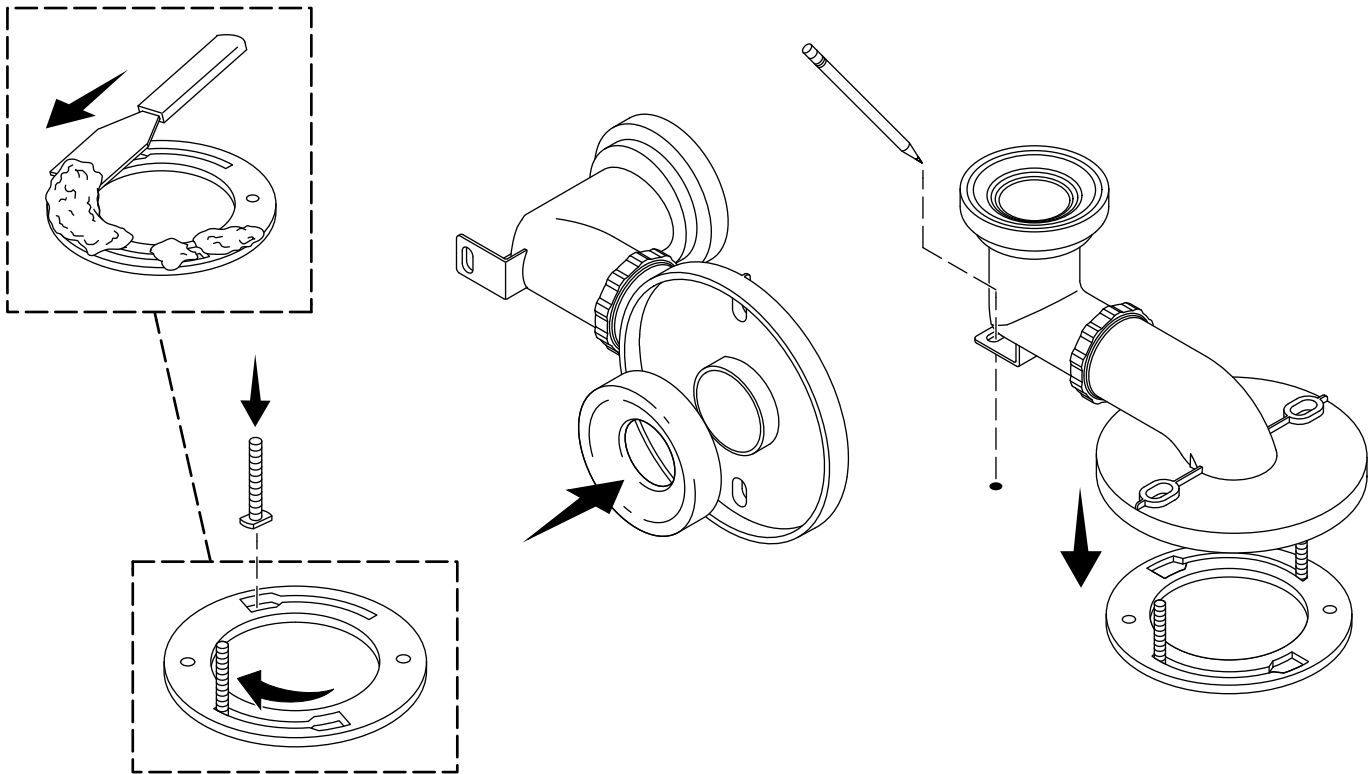
- Install the water supply stop.
- Flush the water supply line into a bucket or other container to remove debris.

Install the Electrical Service

NOTE: The toilet power cord is 56" (1422 mm) in length.

- Locate a dedicated 120 V, 15 A minimum, 60 Hz grounding-type receptacle, protected by a GFCI or RCD, within 56" (1422 mm) from the back of the toilet.

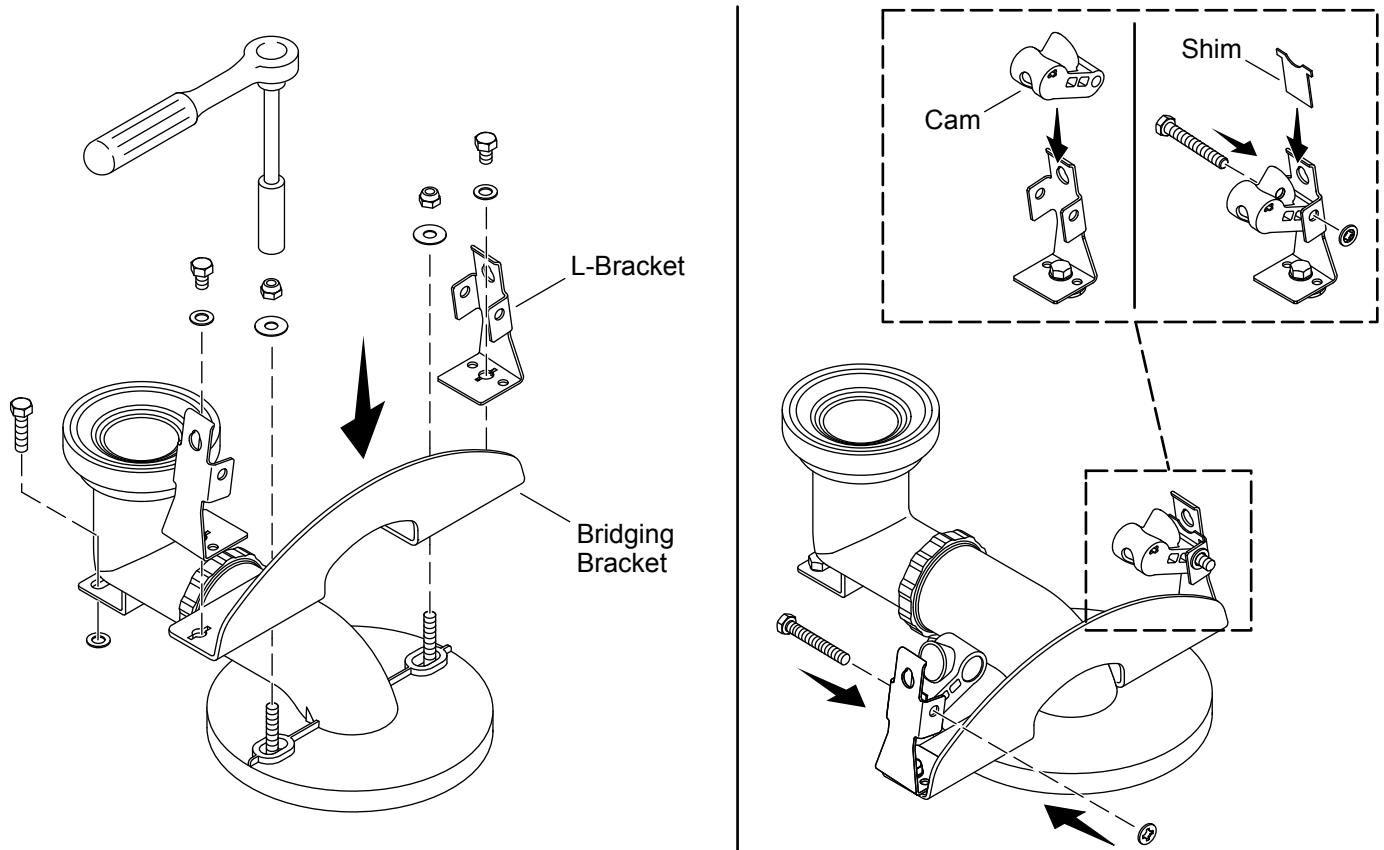
2. Position the Trapway



⚠ CAUTION: Risk of hazardous gases. If the new toilet is not installed immediately, temporarily place a rag in the floor flange.

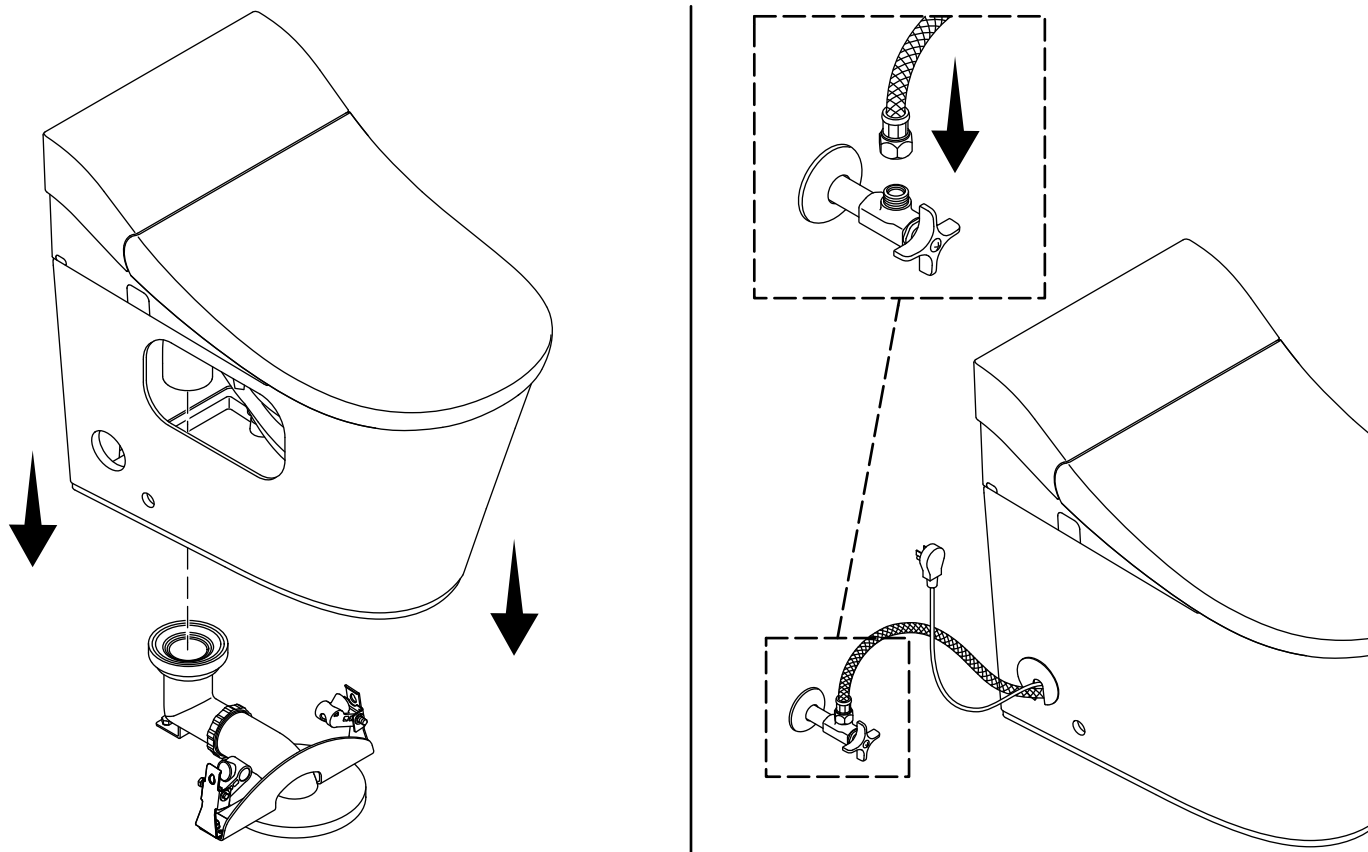
- If an existing toilet was removed, scrap away any remaining wax residue from the flange.
- Install the new wax ring to the trapway.
- Install two 5/16" diameter x 2-1/4" long T-bolts into the floor flange.
- Set the trapway in place over the flange.
- Mark the mounting hole at the back of the trapway.
- Remove the trapway from the flange and set aside.
- At the trapway hole location, drill a 3/16" (5 mm) pilot hole or a 1/2" (13 mm) hole if an anchor will be used.

3. Install the Bracket and Cams



- Install the L-brackets onto the outer holes of the bridging bracket using the hardware provided.
- Install the bridging bracket to the trapway.
- Verify that the bridging bracket is square to the wall.
- Secure the back of the trapway with the supplied lag bolt.
- Install the plastic cam onto the L-brackets using the washers and bolts.
- Insert the metal shim between the plastic cam and the L-bracket.

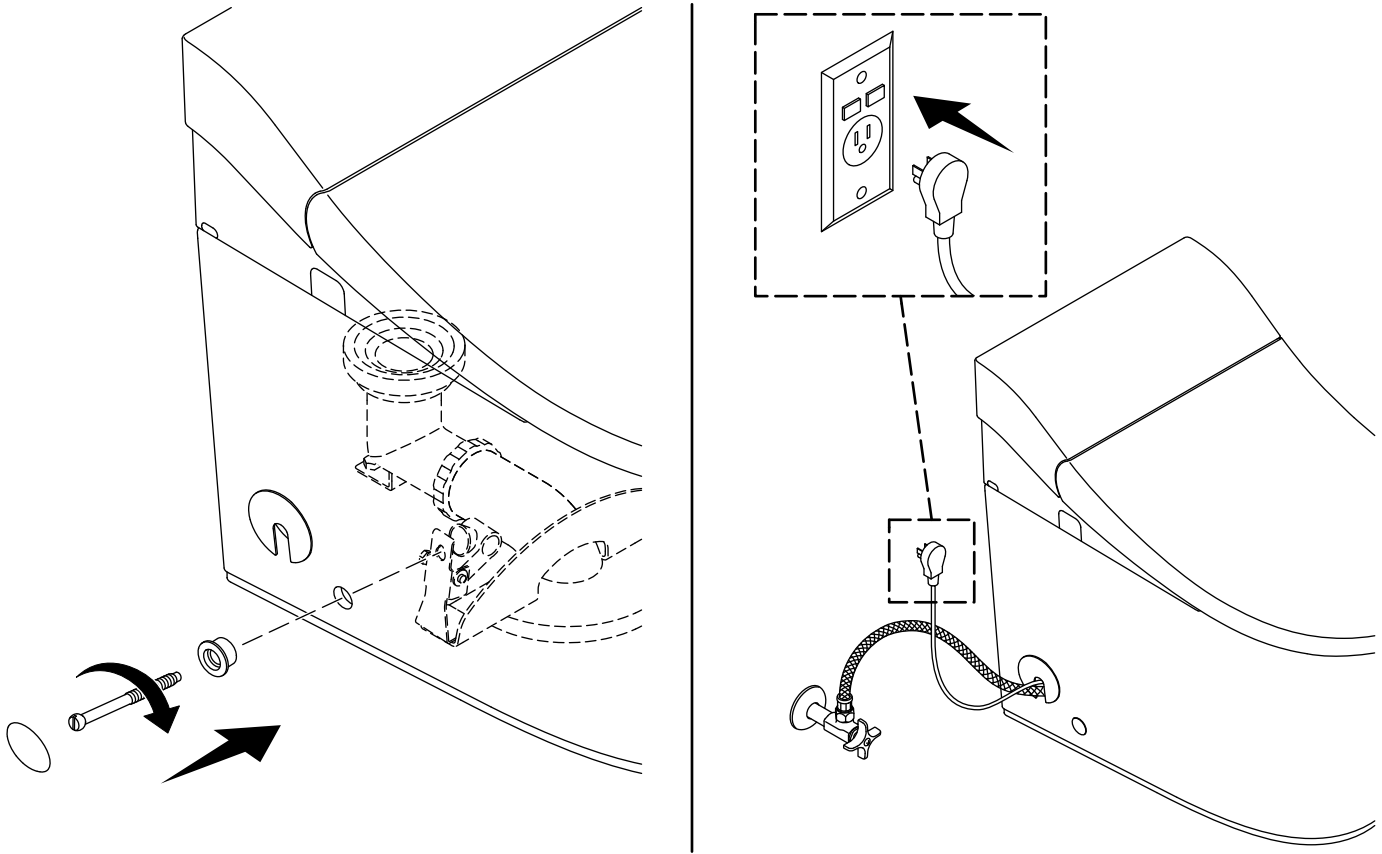
4. Install the Toilet



⚠ CAUTION: Risk of personal injury. This product is heavy. Lift the toilet with two people, using proper lifting technique.

- Route the water supply line and power cord out the back or the side of the toilet for your installation.
- With assistance, lift the toilet over the trapway and align the outlet tube over the trapway inlet.
- Carefully lower the toilet onto the trapway.
- Verify that the water supply line and electrical cord are not pinched under the toilet.
- Install the appropriate cap to the side of the toilet. Use the slotted cap to accommodate the supply line and cord routed out the side. Otherwise, use the solid cap.
- Connect the water supply hose to the supply stop.
- Turn ON the water supply.

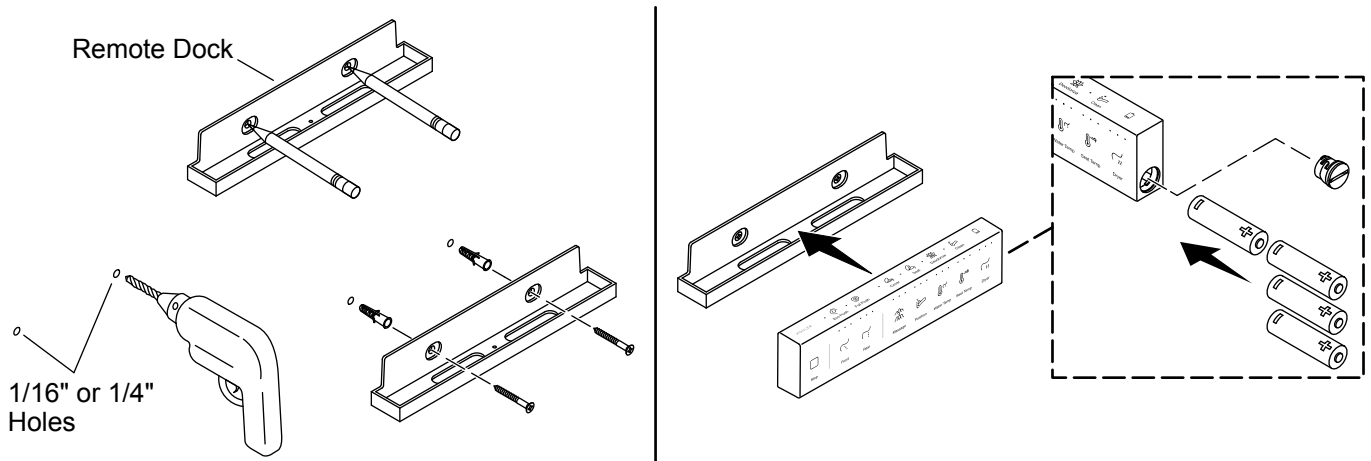
5. Secure the Toilet



⚠ CAUTION: Risk of product damage. Do not overtighten the screws. The vitreous shell may chip or break if the screws are overtightened.

- Insert a grommet into each of the holes on the side of the toilet.
- Insert a screw into each of the holes and tighten securely. **Do not overtighten!**
- Install a cap over each screw. The caps should be flush with the exterior of the toilet.
- Plug the power cord into the electrical outlet.
- Wait for the nightlight to stop blinking, indicating that the start-up procedure is complete.
- Press the flush button and let the toilet fully refill.
- Check all connections for leaks, and make adjustments as needed.

6. Install the Remote Dock



- Position the remote dock at the desired mounting location.
- Confirm that the remote dock is level.
- Using a pencil, mark the two mounting-hole locations. Set the remote dock aside.
- For installation into a stud or other wood surface:** Drill a 1/16" hole at each of the marked locations.
- For installation using wall anchors:** Drill a 1/4" hole at each of the marked locations. Install the provided wall anchors into the holes.
- Position the remote dock over the anchors or marks. Secure the remote dock with the provided screws.
- Remove and retain the cap to the battery compartment.
- Install the four provided AA batteries in the orientation shown.
- Reinstall the cap to the battery compartment.
- Place the remote control on the remote dock.

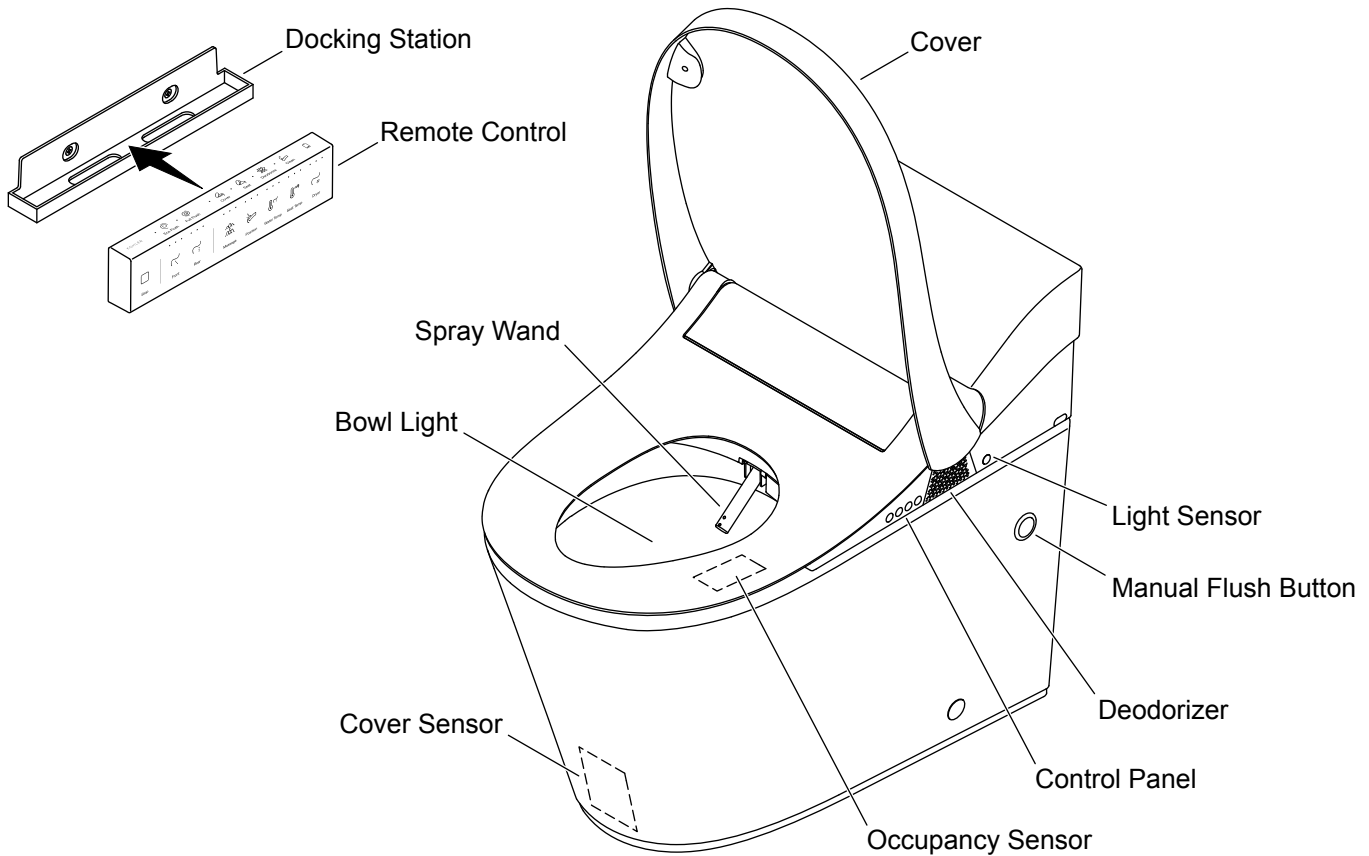
Pairing to the Toilet

NOTE: A remote control must be paired with the toilet seat before use. The included remote control should already be paired with your seat. If a replacement remote control is required, follow the instructions below to pair it with your seat.

NOTE: Only one remote control can be paired with the seat at a time.

- Bring the new remote control near the seat.
- Press and hold the **"Dryer"** icon on the remote control until all the icons flash twice.
- Simultaneously press and hold the **"Front"** and **"Rear"** icons on the toilet control panel until a beep is heard.
- When the icons on the remote control stop flashing, the remote control has been successfully paired.

7. Installation Checkout



NOTE: The toilet cleansing features will not function without an occupant. To test cleansing features, the occupancy sensor area must be covered.

NOTE: When testing the cleansing features, cover the seat with plastic wrap or cover the wand with your hand.

- Cover the cleansing wand with your hand or span plastic wrap across the seat.
- Use your hand or a wet cloth to apply pressure to the occupancy sensor area located on the front right side of the seat.

NOTE: The remote control must be charged to operate. When charging is needed, the battery indicator icon on the top of the remote control will flash. To charge, place the remote control on the remote dock.

- Use the remote control to test the toilet features.
- Refer to the Homeowners Guide packed with the product for general troubleshooting aid.