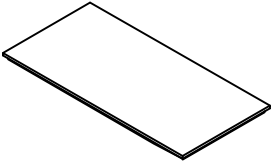
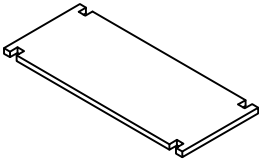
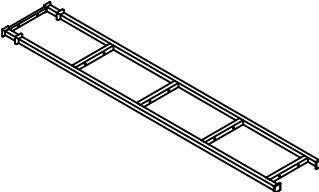
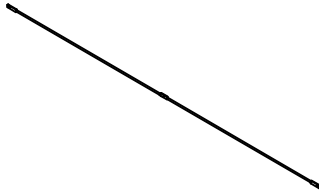
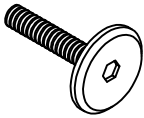
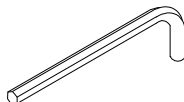
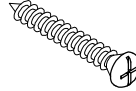
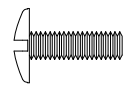
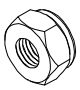

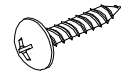
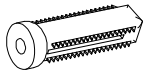



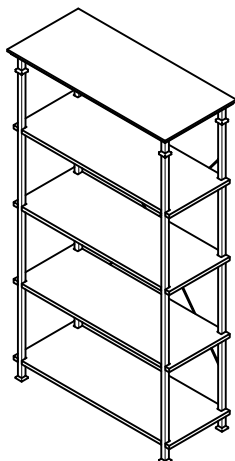


# ASSEMBLY INSTRUCTION

## 40"W BOOKCASE

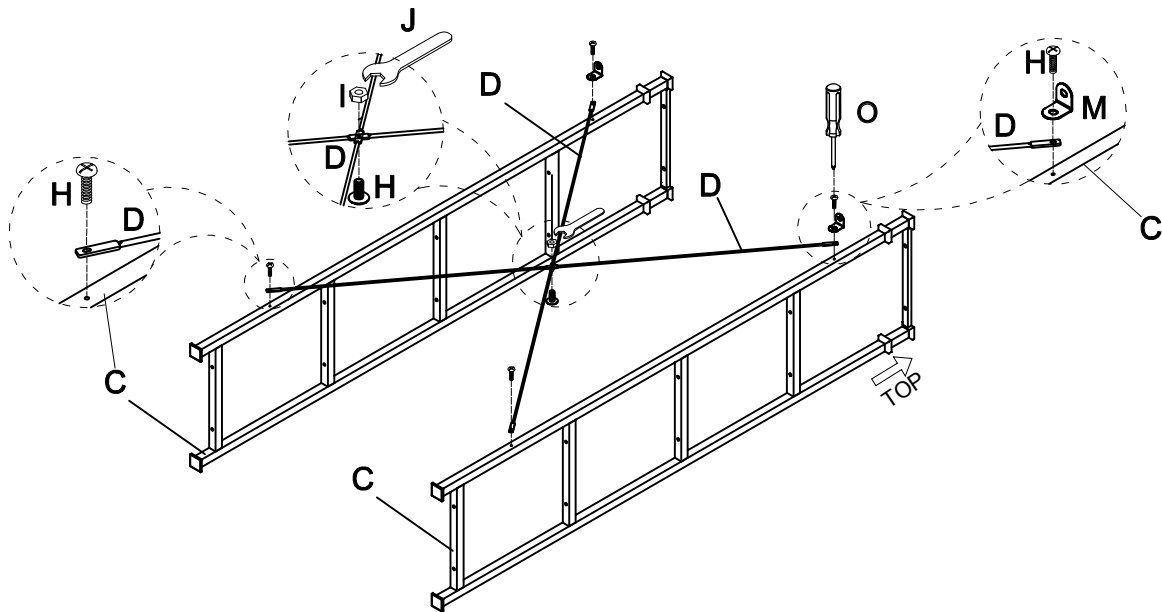
<b>A</b> Top Panel 	<b>B</b> Lower Panel 	<b>C</b> Side Frame 	<b>D</b> Tension Bar 
<b>E</b> Screw 1/4"X1"XØ16 	<b>F</b> Allen Wrench 1/4" 	<b>G</b> Wood Screw 4*39mm 	<b>H</b> Machine Screw 3/16"X 1/2" 
<b>I</b> Nut 3/16" 	<b>J</b> Spanner Wrench 3/16" 	<b>K</b> Wood Screw 4 X 25 X 6mm (For Anti-Tipping HW) 	<b>L</b> Wall Anchor (For Anti-Tipping HW) 
<b>M</b> Mounting Tab (For Anti-Tipping HW) 	<b>N</b> Plastic Mounting Strap (For Anti-Tipping HW) 	<b>O</b> Phillip Screwdriver (Not provided) 	
4PCS	2PCS	1PC	



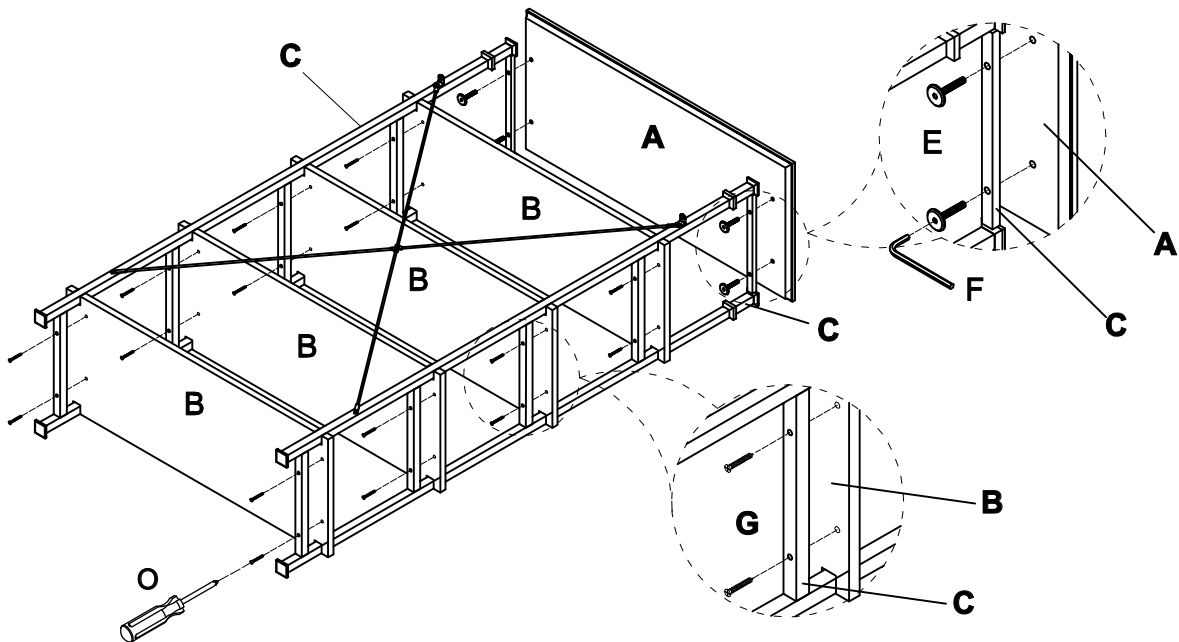
This page lists all the contents included in the box. Please take the time to identify the hardware as well as the individual components to this product. As you unpack and prepare for assembly, place the contents on a carpeted or padded area to protect them from damage.

\*\*\* Do not tighten screws & bolts until the entire unit is completely assembled.

- 1 Attach Tension Bar(D) to Side Frame(C) using Machine Screw(H) and a Phillip Screwdriver(O) as shown. Secure the top by aligning Mounting Tab(M) attaching Machine Screw(H) using Phillip Screwdriver(O). Then, secure the middle using Machine Screw(H) and Nut(I). While holding Nut(I) with supplied Spanner Wrench(J), but not tighten it.



- 2 Attach Side Frame(C) to Top Panel(A) using Screw(E) and Allen Wrench(F) as shown. Attach Side Frame(C) to Lower Panel(B) using Wood Screw(G) and a Phillip Screwdriver(O) as shown. Tight all screws and carefully turn the assembled unit upright.

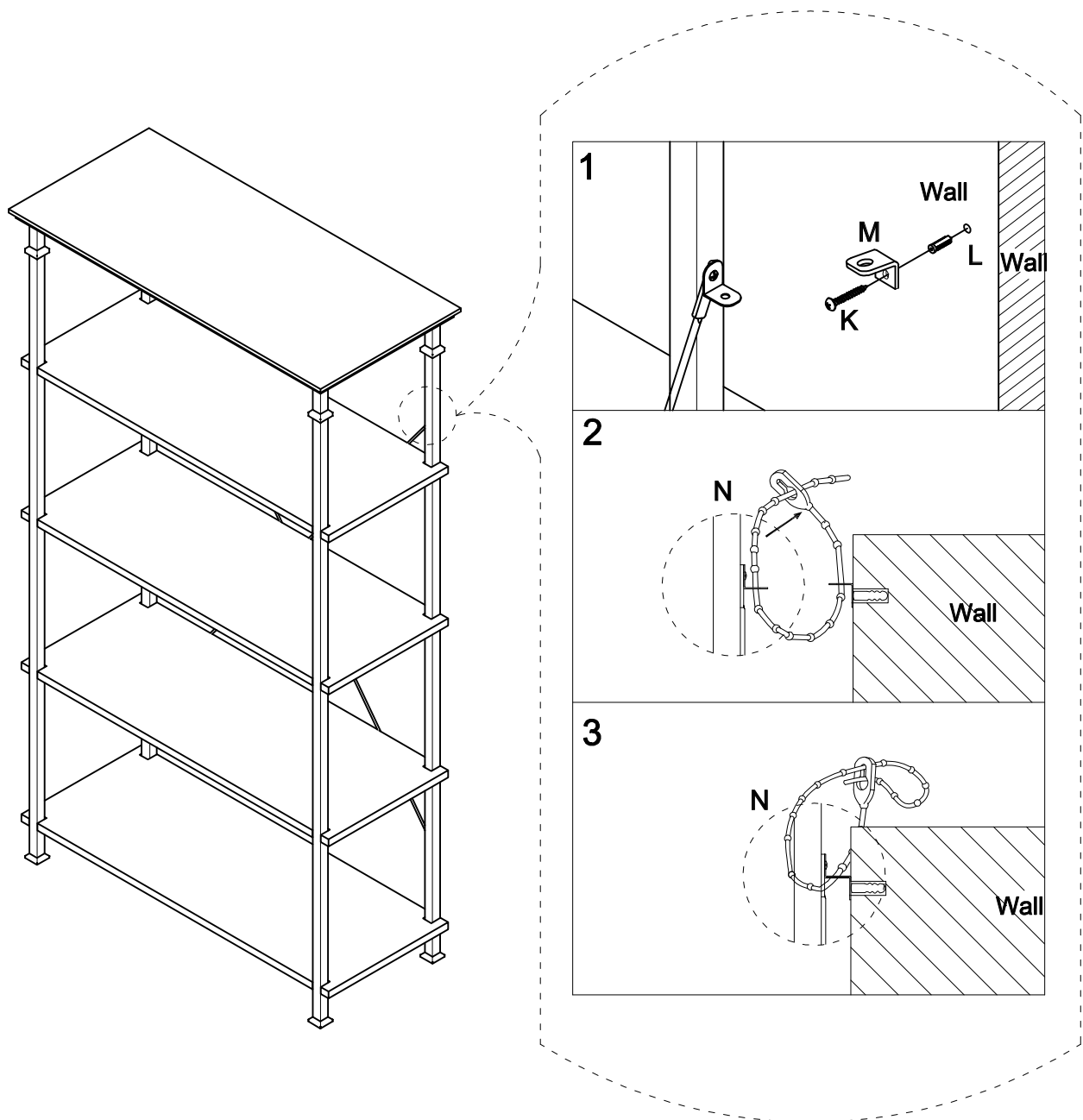


**3** \*Note: We recommend that you attach the product to your wall as a safety precaution.  
Drill 2 (Two) holes in your wall approximately 2" (Two inches) below the corresponding positions of Mounting Tabs(M) and insert Wall Anchor(L) as shown.

\*Note: You may need to tap lightly with a rubber mallet.

Attach Mounting Tabs(M) to Plastic Mounting Straps(N) with Wood Screws(K), making sure the tabs extend upward.

Now connect the corresponding Mounting Tabs(M) with Plastic Mounting Straps(N) and tighten as desired before locking in place.



### Cleaning & Care

Treat surface with care. Surface is resistant to scratches but is not scratch resistant. Clean surfaces with a dry or damp soft cloth. Do not use abrasive cleaners. Hardware may loosen over time. Periodically check that all connections are tight.