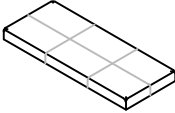

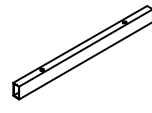
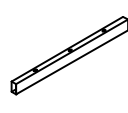



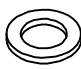



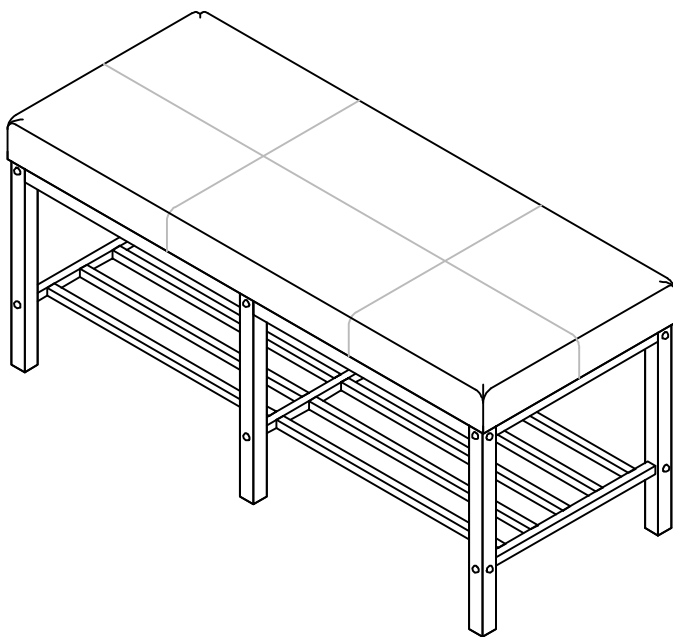


# ASSEMBLY INSTRUCTION

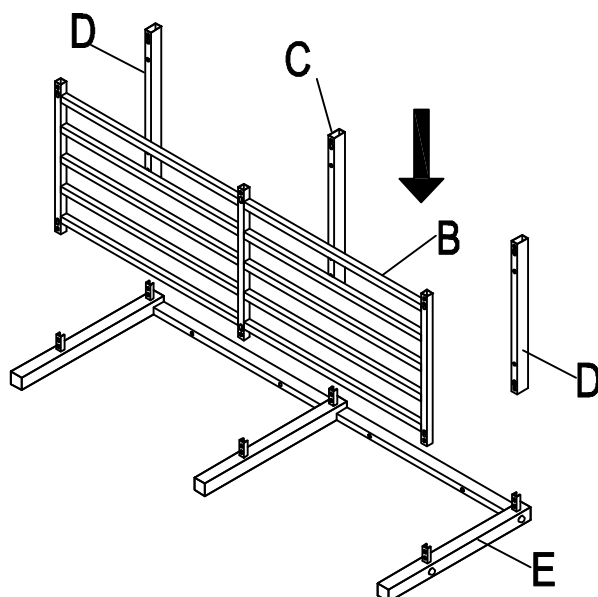
## 3228-13(3A) BENCH

<b>A</b> Top Panel  1PC	<b>B</b> Bottom Frame  1PC	<b>C</b> Middle Top Iron Stretcher  1PC	<b>D</b> Two Sides Top Iron Stretcher  2PCS
<b>E</b> Front Frame  2PCS	<b>F</b> Bolt 1/4"X1/2"  12PCS	<b>G</b> Lock Washer 1/4"  12PCS	<b>H</b> Flat Washer 1/4"X13mm  12PCS
<b>I</b> Allen Key 4mm  1PC	<b>J</b> Screw #8X1-3/4"  14PCS	<b>K</b> Wooden Dowel Ø8X40  2PCS	

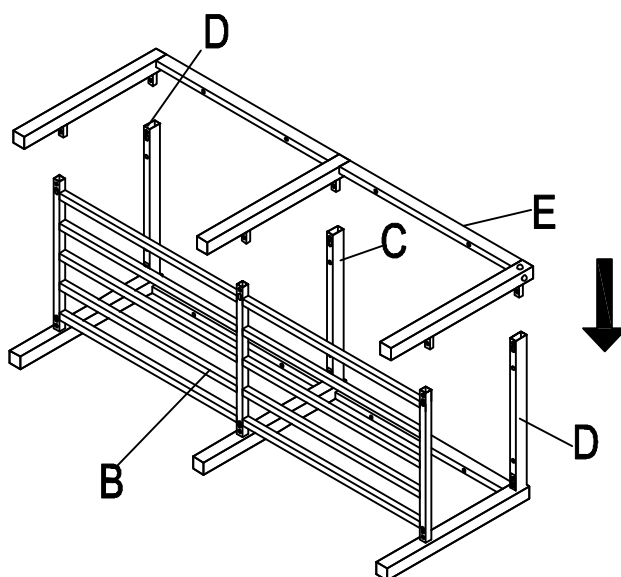


This page lists all the contents included in the box. Please take the time to identify the hardware as well as the individual components to this product. AS you unpack and prepare for assembly, place the contents on a carpeted or padded area to protect them from damage.

- 1** Attach the Bottom Frame (B), Middle Top Iron Stretcher (C) and Two Sides Top Iron Stretcher (D) to the Front Frame (E).

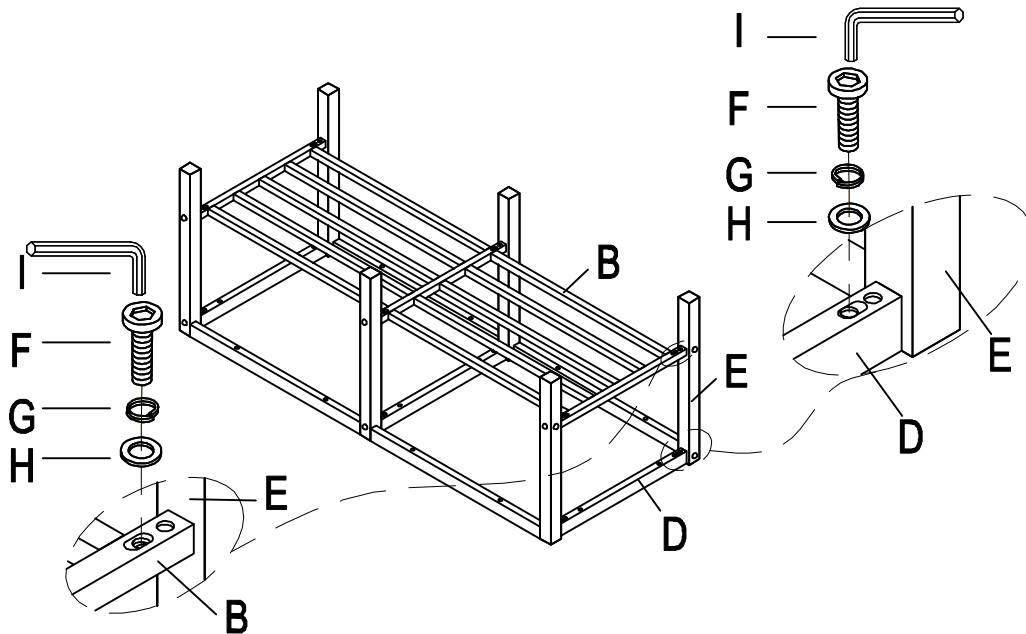


- 2** Attach the Front Frame (E) to the Middle Top Iron Stretcher (C), Two Sides Top Iron Stretcher (D) and Bottom Frame (B).

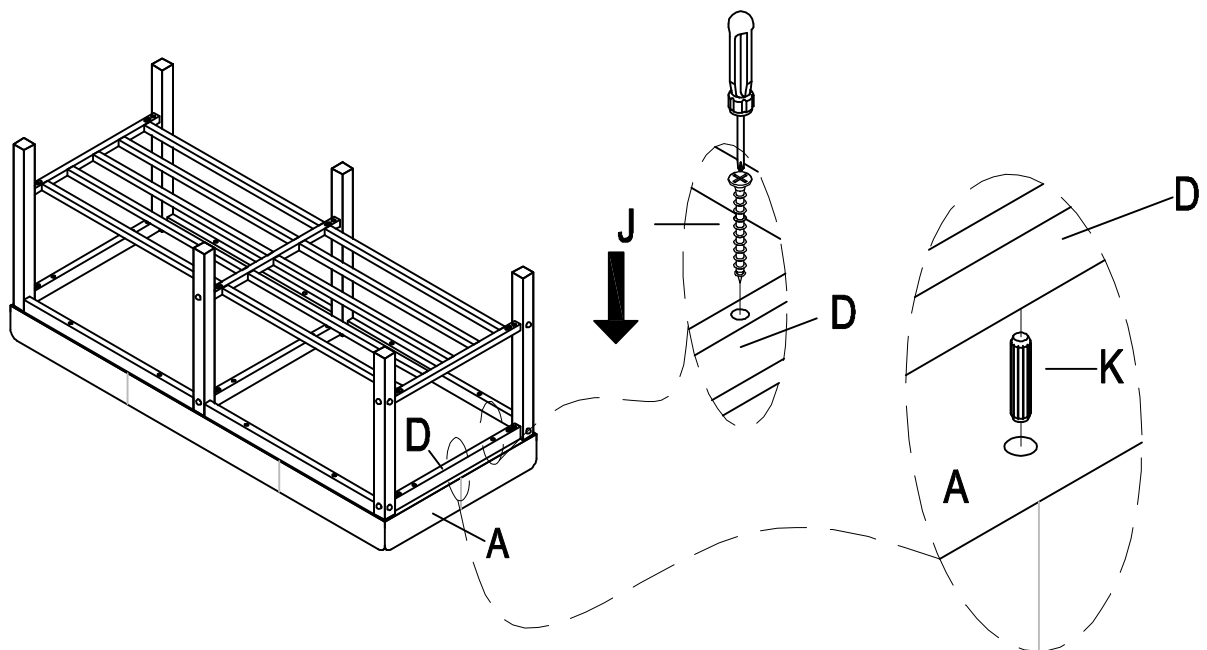


**3**

Attach the Bottom Frame (B) and Two Sides Top Iron Stretcher (D) to the Front Frame (E) by using Flat Washer (H), Lock Washer (G) and Bolt (F) with Allen Key (I).

**4**

Attach Wooden Dowel (K) to the Two Sides Top Iron Stretcher (D) and Top Panel (A), and then attach assembled Two Sides Top Iron Stretcher (D) to Top Panel (A) by using Screw (J).



#### Cleaning & Care

Treat surface with care. Surface is resistant to scratches but is not scratch resistant. Clean surfaces with a dry or damp soft cloth. Do not use abrasive cleaners. Hardware may loosen over time. Periodically check that all connections are tight.