



# Tresham® | K-3950-RA

Two-piece elongated toilet, 1.28 gpf

## Features

- Two-piece design
- Elongated bowl offers added room and comfort
- Comfort Height® feature offers chair-height seating that makes sitting down and standing up easier for most adults
- Right-hand Polished Chrome trip lever
- Combination consists of toilet bowl and tank
- Coordinates with other products in the Tresham collection
- Easy-to-flush canister design requires less force to actuate than a 3" (76 mm) flapper, and has 90% less exposed seal material which resists conditions that cause wear, tear, shrinkage and swelling
- Eligible for consumer rebates in some municipalities
- 1.28 gpf (4.8 lpf)
- 2-1/8" (54 mm) fully glazed trapway



## Sustainability



## Available Colors/Finishes

*Color tiles intended for reference only.*

- 0 White



1-800-4KOHLER (1-800-456-4537)  
Kohler Co. reserves the right to make revisions without notice to product specifications.  
For the most current specification sheet, go to [www.kohler.com](http://www.kohler.com) USA or [www.kohler.ca](http://www.kohler.ca) Canada.  
4-15-2026 3:54 - US-CA

THE BOLD LOOK  
OF **KOHLER**®

## Codes/Standards

ADA, OBC, CSA B651 compliant when installed to the specific requirements of these regulations.

Accessibility standards may require controls to be located on the open side of the toilet.

Plumbing codes may require elongated toilets and elongated, open-front seats in public bathrooms.



ASME A112.19.2/CSA B45.1  
DOE - Energy Policy Act 1992  
EPA WaterSense®  
California Energy Commission (CEC)  
ADA  
ICC/ANSI A117.1  
CSA B651  
OBC

## Warranty

See website for detailed warranty information.

KOHLER® Toilets and Seats Limited Warranty

## Technical Information

Rough-in:	Standard 12" (305mm)
Flush Type:	AquaPiston
Flush Rate:	1.28 gpf (4.8 lpf)
Bowl Shape:	Elongated
Waste Outlet:	Floor
Trapway Size:	2-1/8" (54 mm)
Trapway Type:	Exposed
Rim to Water Surface:	5-3/8" (137 mm)

## Included Combo Skus

- K-4799 Elongated toilet bowl
- K-4899-RA Toilet tank, 1.28 gpf

## Recommended Products/Accessories

1023457 Toilet Wax Ring And Hardware Kit

1265114 12" Toilet Supply Line

K-23726 Drain treatment

K-4636-RL ReadyLatch® Quiet-Close™ elongated toilet seat

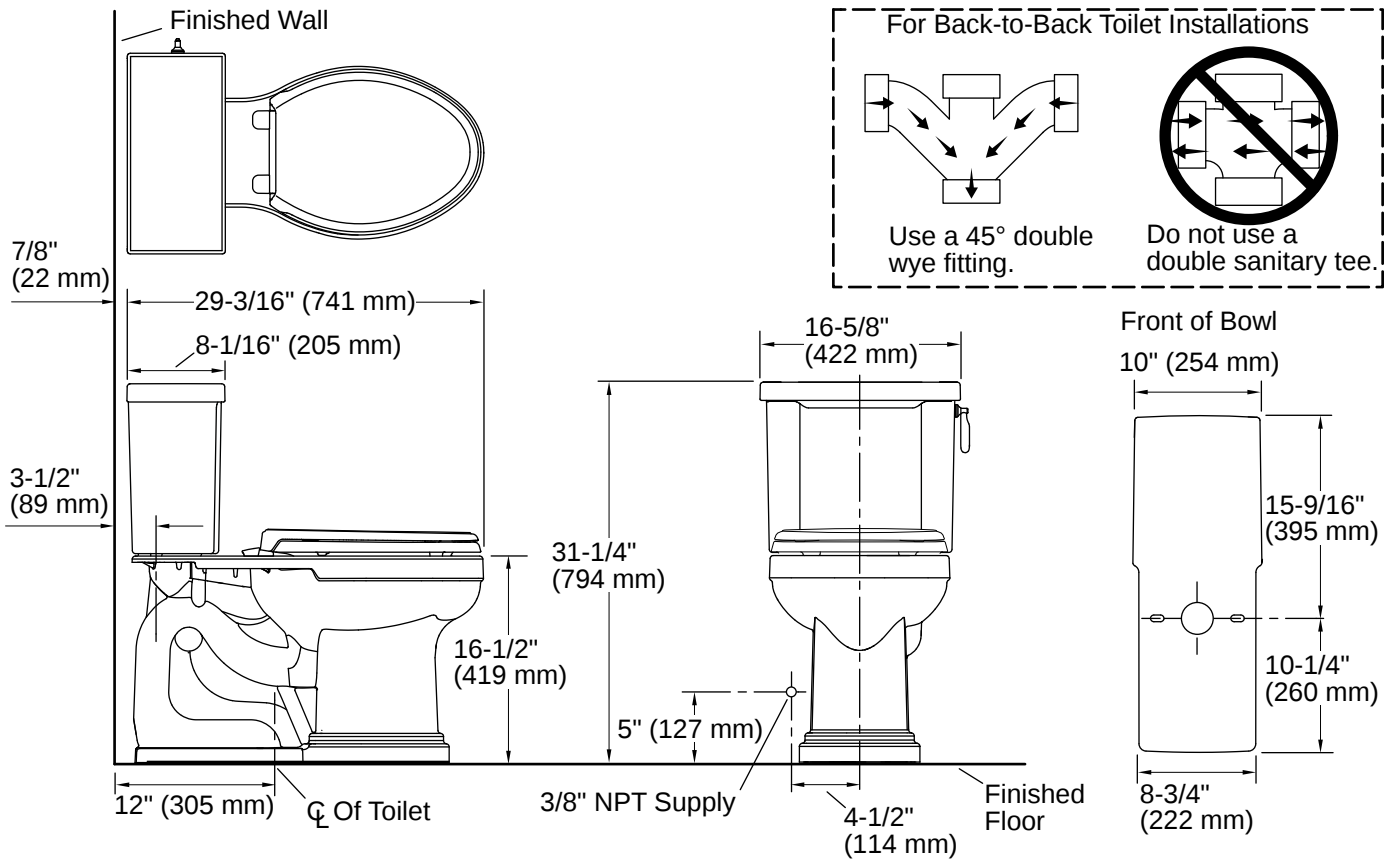


1-800-4KOHLER (1-800-456-4537)

Kohler Co. reserves the right to make revisions without notice to product specifications.

For the most current specification sheet, go to [www.kohler.com](http://www.kohler.com) USA or [www.kohler.ca](http://www.kohler.ca) Canada.

4-15-2026 3:54 - US-CA



## Installation

- Standard 12" (305 mm) rough-in
- Three-bolt quick-connect installation
- Seat and supply line sold separately

## Installation Notes

*Install this product according to the installation instructions.*

For back-to-back toilet installations: Use only a 45° double wye fitting.

Product dimensions are nominal and may vary per ASME A112.19.2 tolerances.

ADA, OBC, CSA B651 compliant when installed to the specific requirements of these regulations.

Plumbing codes may require elongated toilets and elongated, open-front seats in public bathrooms.

Accessibility standards may require controls to be located on the open side of the toilet.

