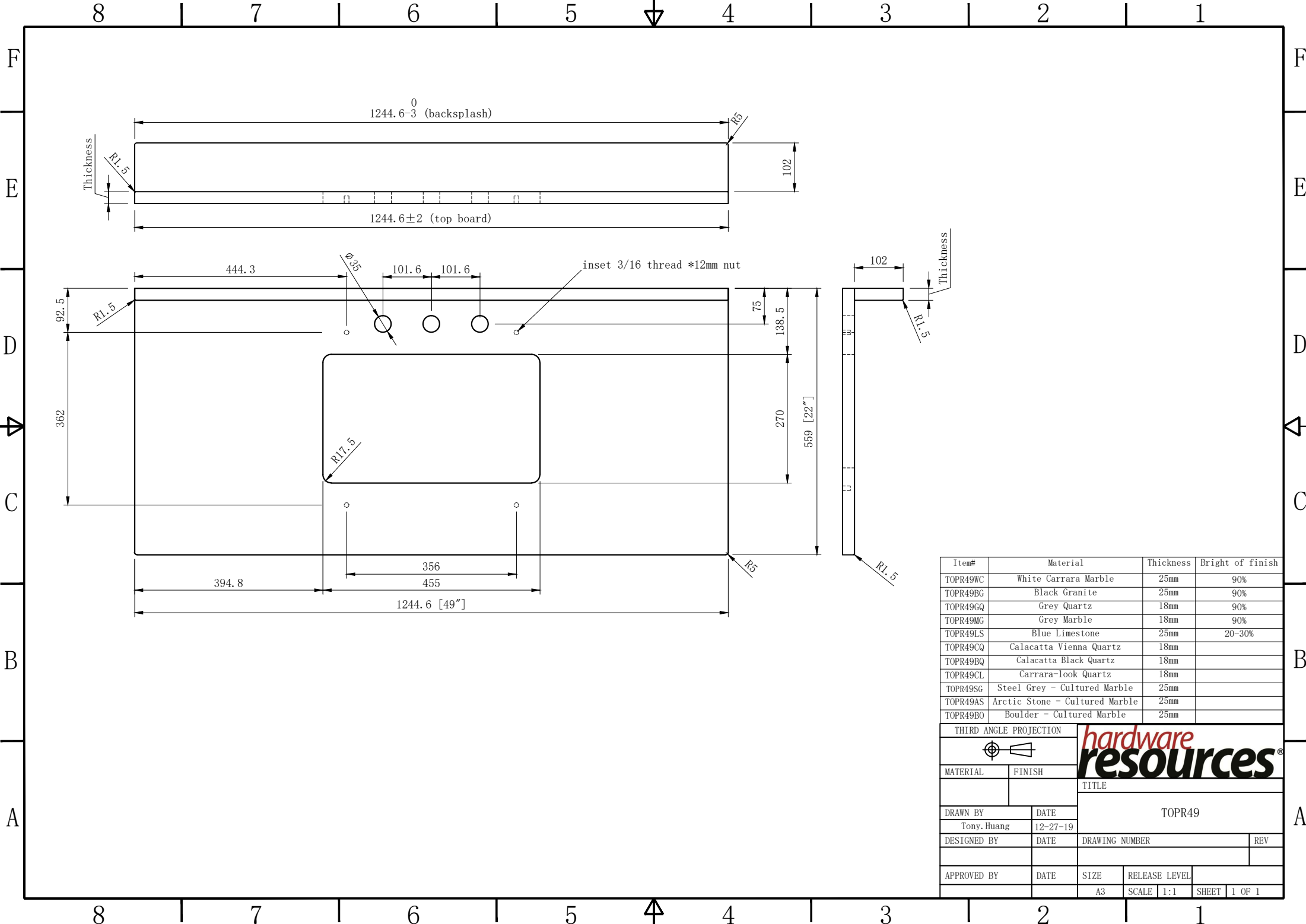


Item#	Material	Thickness	Bright of finish
TOP049WC	White Carrara Marble	25mm	90%
TOP049BG	Black Granite	25mm	90%
TOP049GQ	Grey Quartz	18mm	90%
TOP049MG	Grey Marble	18mm	90%
TOP049LS	Blue Limestone	25mm	20-30%
TOP049CQ	Calacatta Vienna Quartz	18mm	
TOP049BQ	Calacatta Black Quartz	18mm	
TOP049CL	Carrara-look Quartz	18mm	
TOP049SG	Steel Grey - Cultured Marble	25mm	
TOP049AS	Arctic Stone - Cultured Marble	25mm	
TOP049BO	Boulder - Cultured Marble	25mm	

THIRD ANGLE PROJECTION

**hardware resources**

MATERIAL	FINISH	TITLE	
		TOP049	
DRAWN BY	DATE	DRAWING NUMBER	REV
Tony.Huang	12-27-19		
APPROVED BY	DATE	SIZE	RELEASE LEVEL
		A3	SCALE 1:1 SHEET 1 OF 1

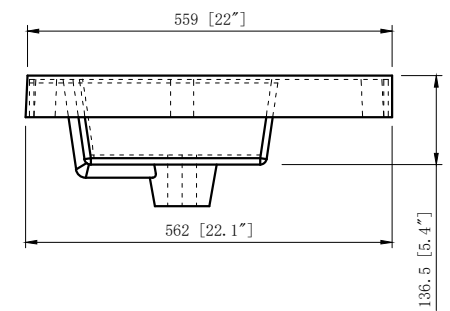
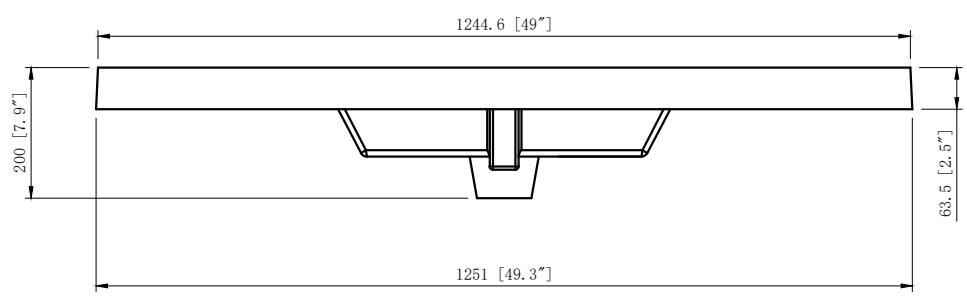
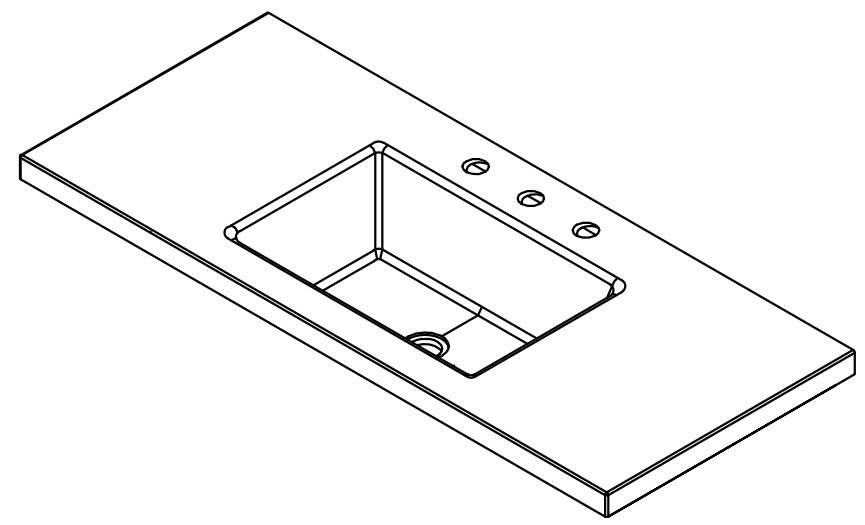
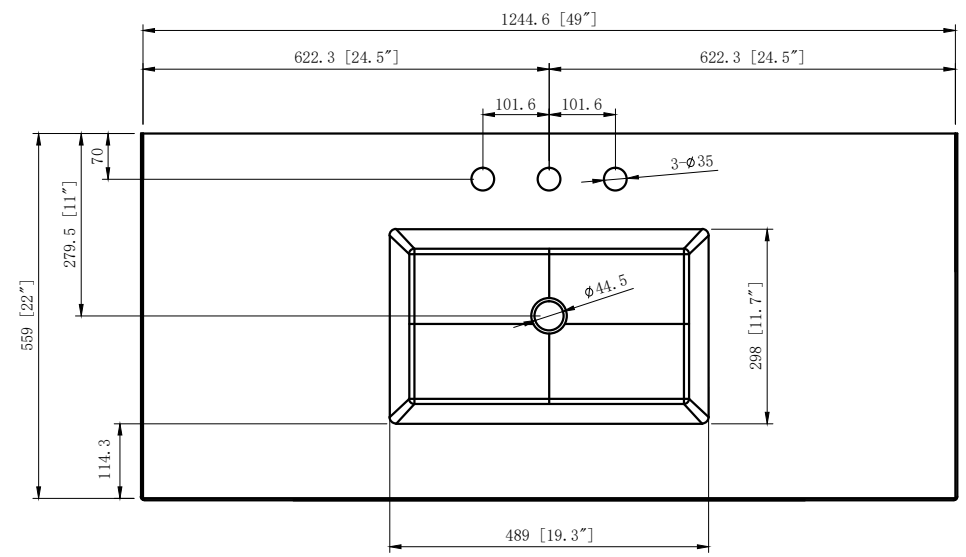


Item#	Material	Thickness	Bright of finish
TOPR49WC	White Carrara Marble	25mm	90%
TOPR49BG	Black Granite	25mm	90%
TOPR49GQ	Grey Quartz	18mm	90%
TOPR49MG	Grey Marble	18mm	90%
TOPR49LS	Blue Limestone	25mm	20-30%
TOPR49CQ	Calacatta Vienna Quartz	18mm	
TOPR49BQ	Calacatta Black Quartz	18mm	
TOPR49CL	Carrara-look Quartz	18mm	
TOPR49SG	Steel Grey - Cultured Marble	25mm	
TOPR49AS	Arctic Stone - Cultured Marble	25mm	
TOPR49BO	Boulder - Cultured Marble	25mm	

THIRD ANGLE PROJECTION

**hardware resources**

MATERIAL	FINISH	TITLE	
		TOPR49	
DRAWN BY	DATE	DRAWING NUMBER	REV
Tony. Huang	12-27-19		
DESIGNED BY	DATE	SIZE	RELEASE LEVEL
		A3	SCALE 1:1 SHEET 1 OF 1



Material :Lavante - Cultured Marble

THIRD ANGLE PROJECTION							
MATERIAL		FINISH		TITLE			
				TOPR49LA			
DRAWN BY		DATE		DRAWING NUMBER		REV	
Tony. Huang		04-28-20					
DESIGNED BY		DATE		DRAWING NUMBER		REV	
APPROVED BY		DATE		SIZE		RELEASE LEVEL	
				A3		SCALE 1:1 SHEET 1 OF 1	

**hardware resources**