

Series LF009 / 009

Reduced Pressure Zone Assemblies

Sizes: 1/4" – 3" (8 – 80mm)



LF009QT



009M2QT

Features

- Single access cover and modular check construction for ease of maintenance
- Top entry - all internals immediately accessible
- Captured springs for safe maintenance
- Internal relief valve for reduced installation clearances
- Replaceable seats for economical repair
- Lead Free* cast copper silicon alloy body construction for durability 1/4" – 2"
- Fused epoxy coated cast iron body 2 1/2" and 3"
- Ball valve test cocks — screwdriver slotted 1/4" – 2"
- Large body passages provides low pressure drop
- Compact, space saving design
- No special tools required for servicing

Pressure-Temperature

Series LF009: 1/4" - 2" (8 – 50mm)

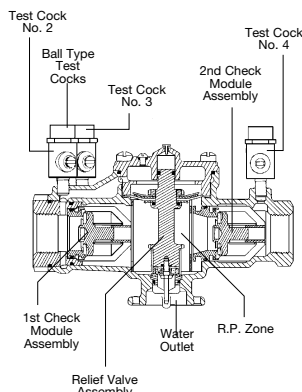
Suitable for supply pressure up to 175psi (12 bar). Water temperature: 33°F – 180°F (0.5° – 75°C).

Series 009: 1/4" - 2" (8 – 50mm)

Suitable for supply pressure up to 175psi (12 bar). Water temperature: 33°F – 180°F (0.5° – 75°C).

Sizes: 2 1/2" and 3" (65 – 80mm)

are suitable for supply pressures up to 175psi (12.1 bar) and water temperature at 110°F (43°C) continuous, 140°F (60°C) intermittent.



LF009

LEAD FREE

Series LF009 Reduced Pressure Zone Assemblies are designed to protect potable water supplies in accordance with national plumbing codes and water authority requirements. This series can be used in a variety of installations, including the prevention of health hazard cross-connections in piping systems or for containment at the service line entrance. The LF009 features Lead Free* construction to comply with Lead Free* installation requirements.

This series features two in-line, independent check valves, captured springs and replaceable check seats with an intermediate relief valve. Its compact modular design facilitates easy maintenance and assembly access. Sizes 1/4" – 1" shutoffs have tee handles.

Materials

1/4" – 2" (8 – 50mm)

- Lead Free* cast copper silicon alloy body construction, silicone rubber disc material in the first and second check plus the relief valve. Replaceable polymer check seats for first and second checks. Removable stainless steel relief valve seat. Stainless steel cover bolts.
- Standardly furnished with NPT body connections. Model LF009QT furnished with quarter-turn, full port, resilient seated, Lead Free* cast copper silicon alloy body ball valve shutoffs.

2 1/2" and 3" (65 – 80mm)

- FDA approved) Epoxy coated cast iron unibody with plastic seats
- Relief valve with stainless steel seat and trim
- Lead Free cast copper silicon alloy body ball valve test cocks

Models

Sizes: 1/4" – 2" (8 – 50mm)

Suffix:

- QT – quarter-turn ball valves
- S – strainer
- LF – without shutoff valves
- PC – internal polymer coating

Prefix:

- U – union connections

Approvals



ASSE, AWWA, CSA, IAPMO

Approved by the Foundation for Cross-Connection Control and Hydraulic Research at the University of Southern California.

Approval models QT, PC, NRS, OSY.

UL Classified

2 1/2" and 3" with OSY gate valves.

3/4" - 2" without shutoff valves (-LF) (except LF009M3LF)

*The wetted surface of this product contacted by consumable water contains less than 0.25% of lead by weight.

Sizes: 2 1/2" – 3" (65 – 80mm)

Suffix:

- NRS – non-rising stem resilient seated gate valves
- OSY – UL/FM outside stem and yoke resilient seated gate valves
- S-FDA – FDA epoxy coated strainer
- QT-FDA – FDA epoxy coated quarter-turn ball valves
- LF – without shutoff valves

009

For Use in Non-Potable Applications

Series 009 Reduced Pressure Zone Assemblies are designed to protect drinking water supplies from dangerous cross-connections in accordance with national plumbing codes and water authority requirements for non-potable service applications such as irrigation, fireline, or industrial processing.

This series features two in-line, independent check valves, captured springs and replaceable check seats with an intermediate relief valve. Its compact modular design facilitates easy maintenance and assembly access. Sizes 1/4" – 1" shutoffs have tee handles.

Materials

Size: 1/4" – 2" (8 – 50mm)

- Bronze body construction, silicone rubber disc material in the first and second check plus the relief valve. Replaceable polymer check seats for first and second checks. Removable stainless steel relief valve seat. Stainless steel cover bolts.
- Standardly furnished with NPT body connections. For optional bronze union inlet and outlet connections, specify prefix U (1/2" – 2"). Series 009QT furnished with quarter turn, full port, resilient seated, bronze ball valve shutoffs

Approvals



ASSE, AWWA, CSA, IAPMO
 Approved by the Foundation for Cross-Connection Control and Hydraulic Research at the University of Southern California.
 UL Classified 1/4" – 2"
 (LF models only except 009M3LF)

Models

Size: 1/4" – 2" (8 – 50mm)

Suffix:

QT – quarter-turn ball valves

S – bronze strainer

LF – without shutoff valves

AQT – elbow fittings for 360° rotation
 3/4" – 2" only

PC – internal Polymer Coating

SH – stainless steel ball valve handles

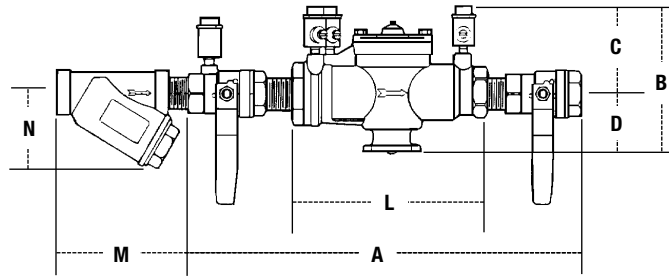
HC – 2 1/2" inlet/outlet fire hydrant fitting
 (2" valve)

Prefix:

C – clean and check strainer 3/4" – 1" only

U – union connections

Dimensions and Weights



LF009 / 009 1/4" – 2" (8 – 50mm)

SIZE	DIMENSIONS (APPROX.)														WEIGHT	
	A		B		C		D		L		M		N		lbs.	kgs.
in.	in.	mm	in.	mm	in.	mm	in.	mm	in.	mm	in.	mm	in.	mm		
1/4	10	250	4 5/8	117	3 3/8	86	1 1/4	32	5 1/2	140	2 3/8	60	2 1/2	64	5	2
3/8	10	250	4 5/8	117	3 3/8	86	1 1/4	32	5 1/2	140	2 3/8	60	2 1/2	64	5	2
1/2	10	250	4 5/8	117	3 3/8	86	1 1/4	32	5 1/2	140	2 3/4	70	2 1/4	57	5	2
3/4	10 3/4	273	5	127	3 1/2	89	1 1/2	38	6 3/4	171	3 1/16	81	2 3/4	70	6	3
1	16 3/4	425	5 1/2	140	3	76	2 1/2	64	9 1/2	241	3 3/4	95	3	76	12	5
1 1/4	17 3/8	441	6	150	3 1/2	89	2 1/2	64	11 3/8	289	4 7/16	113	3 1/2	89	15	6
1 1/2	17 7/8	454	6	150	3 1/2	89	2 1/2	64	11 3/8	283	4 7/8	124	4	102	16	7
2	21 1/8	543	7 3/4	197	4 1/2	114	3 3/4	83	13 1/2	343	5 15/16	151	5	127	30	13