



bestchoiceproducts



# INSTRUCTION MANUAL

---

Mobile Kitchen Island Cart



bestchoiceproducts

---

As shoppers, we're always trying to find the perfect balance between quality & value. At BCP, we believe we've achieved that. Our diverse catalog of everyday essentials is tailored especially to our customers & guaranteed to hit that sweet spot of high quality & low price.

— Always. —

## ! NOTICE

Please retain these instructions for future reference.

- Please do not exceed the weight limitations of this item.
- Do not stand on or use any part of this item as a step ladder.
- Firmly secure all bolts, screws, and knobs before use.
- Reconfirm that all bolts, screws, and knobs are secure every 90 days.
- Do not use or store this item in the proximity of open flame or flammable/combustible chemicals.
- If any parts are missing, broken, damaged, or worn, stop using this item until repairs are made and/or factory replacement parts are installed.
- Do not use this item in a way inconsistent with the manufacturer's instructions as this could void the product warranty.

## TOOLS REQUIRED



PHILLIPS  
SCREWDRIVER



FLAT HEAD  
SCREWDRIVER



300 LBS  
CAPACITY



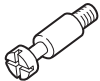
1 PERSON  
ASSEMBLY



UP TO 60 MIN.  
ASSEMBLY

## HARDWARE

### A CAM BOLT



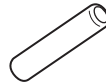
15 PCS

### B CAM LOCK



15 PCS

### C DOWEL



18 PCS

### D M6 X 60MM BOLT



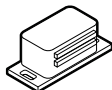
12 PCS

### E ANCHOR NUT



12 PCS

### F MAGNETIC CATCH



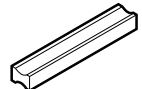
1 PC

### G M4 X 8MM SCREW



4 PCS

### H HANDLE



2 PCS

### I LOCKING CASTER



2 PCS

### J CASTER



2 PCS

### K M4 X 35MM SCREW



2 PCS

### L M4 X 30MM SCREW



4 PCS

### M M3 X 12MM SCREW



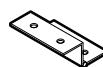
19 PCS

### N METAL PLATE



1 PC

### O HINGE



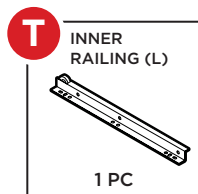
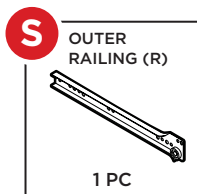
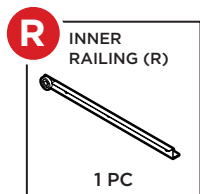
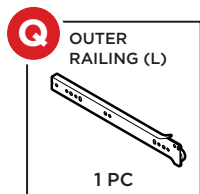
2 PCS

### P SHELF PEG

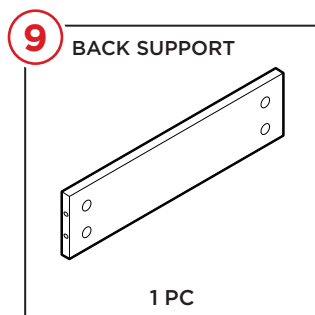
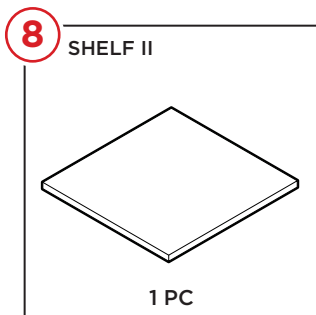
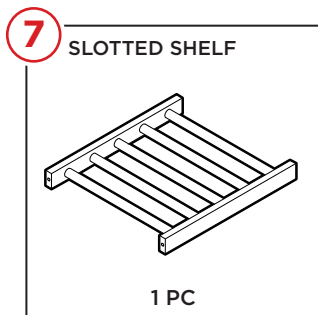
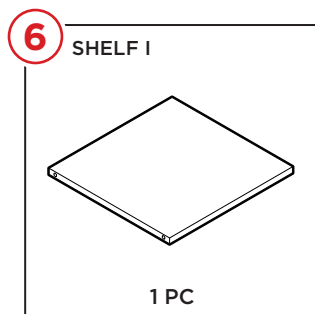
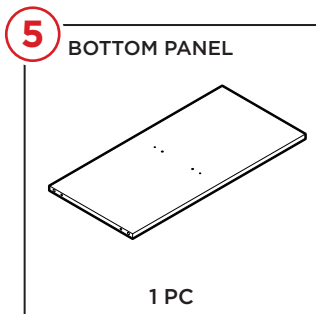
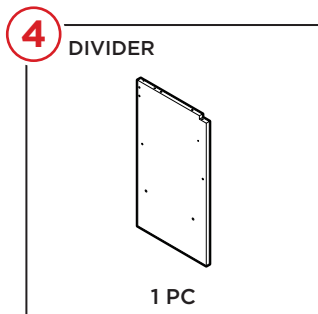
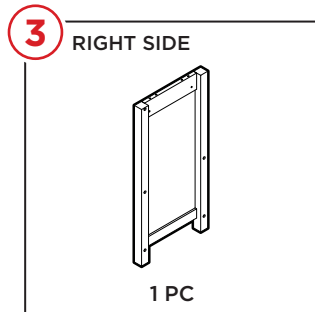
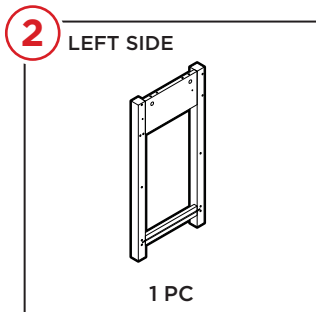
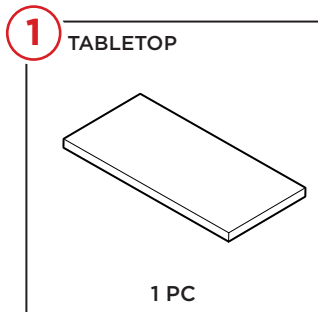


4 PCS

## HARDWARE



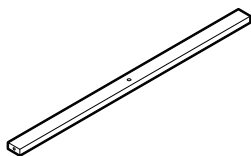
## PARTS



## PARTS

10

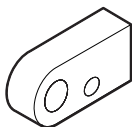
FRONT SUPPORT



1 PC

11

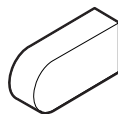
LEFT ARM



1 PC

12

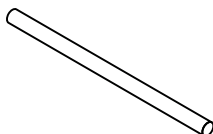
RIGHT ARM



1 PC

13

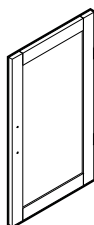
TOWEL RACK



1 PC

14

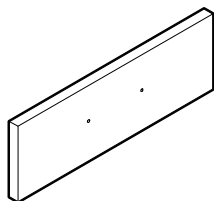
DOOR



1 PC

15

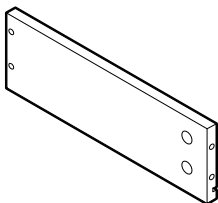
DRAWER FRONT



1 PC

16

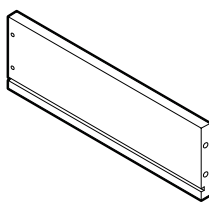
DRAWER LEFT



1 PC

17

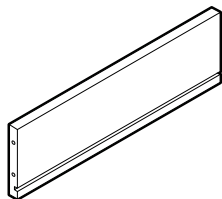
DRAWER RIGHT



1 PC

18

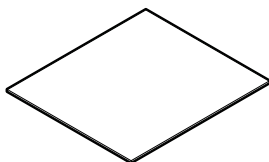
DRAWER BACK



1 PC

19

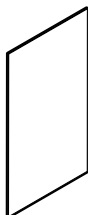
DRAWER BOTTOM



1 PC

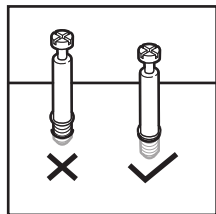
20

BACK PANEL

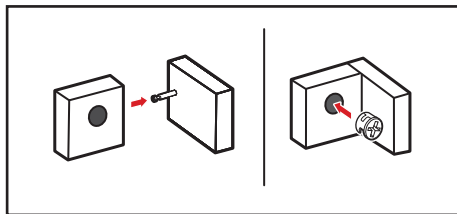


1 PC

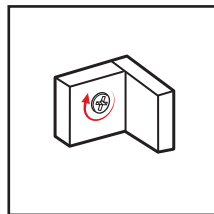
## TIGHTENING CAMLOCKS



1. Screw cam bolt in completely.



2. Insert cam bolt and cam lock into designated holes.

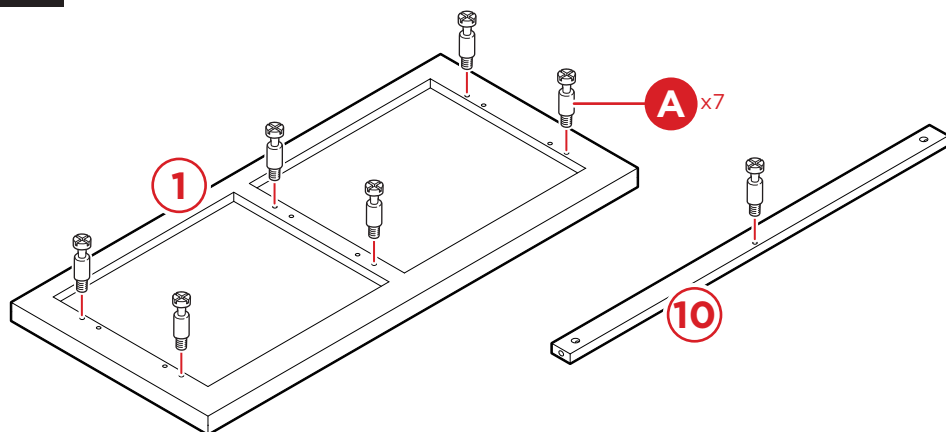


3. Screw cam lock clockwise to secure cam bolt.

## PRODUCT ASSEMBLY

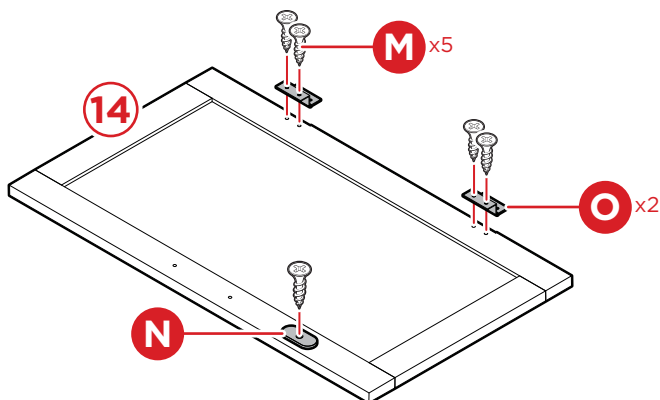
1

Screw six part A cam bolts into the part 1 tabletop. Screw a cam bolt into the part 10 front support.



2

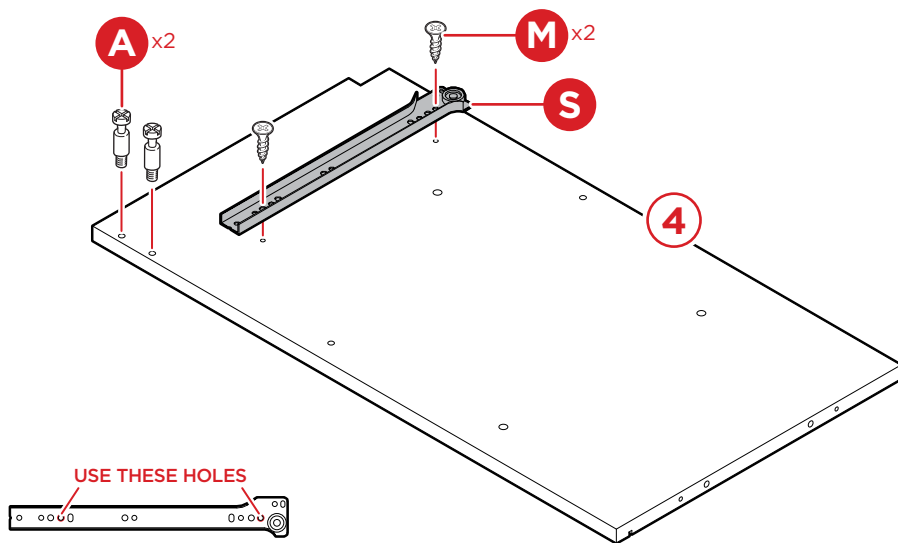
Attach two part O hinges to part 14 door with four part M screws. Attach part N metal plate with a part M screw.



## PRODUCT ASSEMBLY

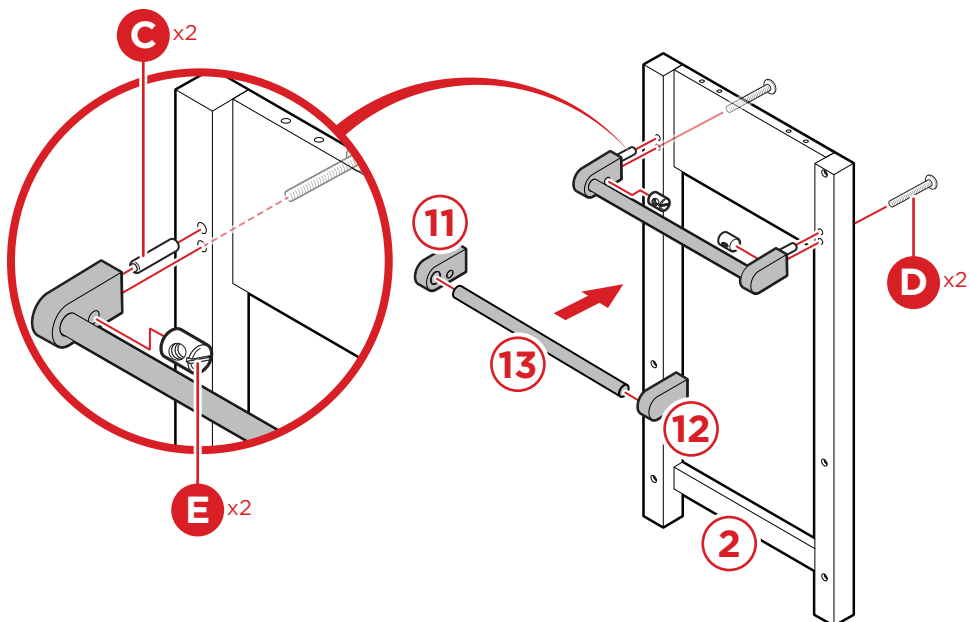
3

Screw two part A cam bolts into the part 4 divider. Attach part S outer railing (right) with two part M screws.



4

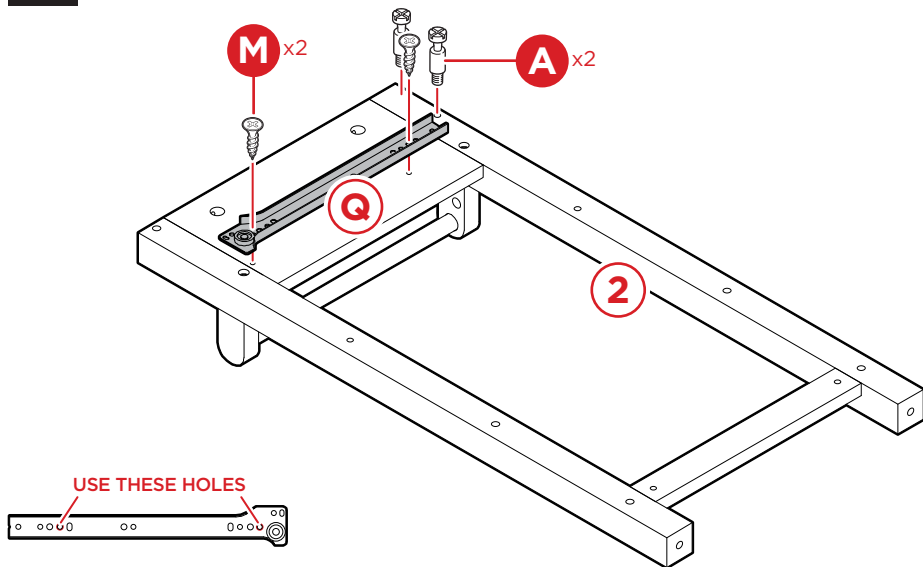
Place the part 13 towel rack between the part 11 and 12 arms. Attach the arms to the part 2 left side with two part C dowels, two part D bolts, and two part E anchor nuts.



## PRODUCT ASSEMBLY

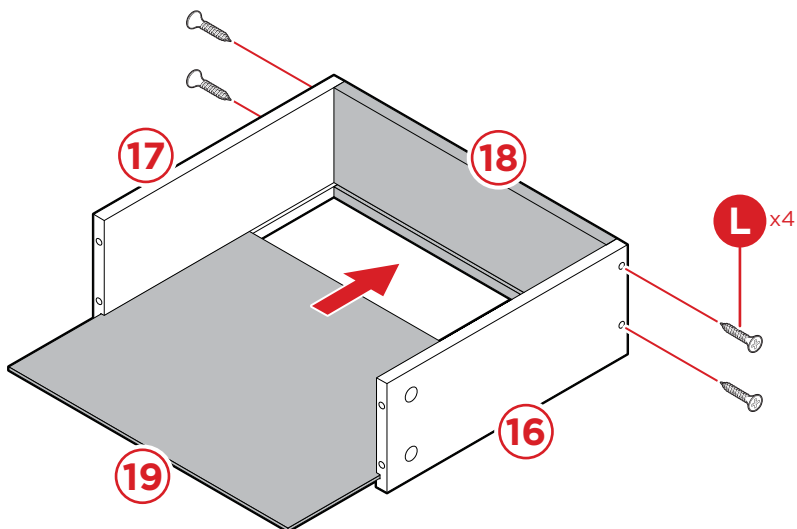
5

Flip the part 2 left side over. Screw two part A cam bolts into the left side. Attach part Q outer railing (left) with two part M screws.



6

Attach the part 16 and part 17 drawer sides to part 18 drawer back with four part L screws. Slide in part 19 drawer bottom.

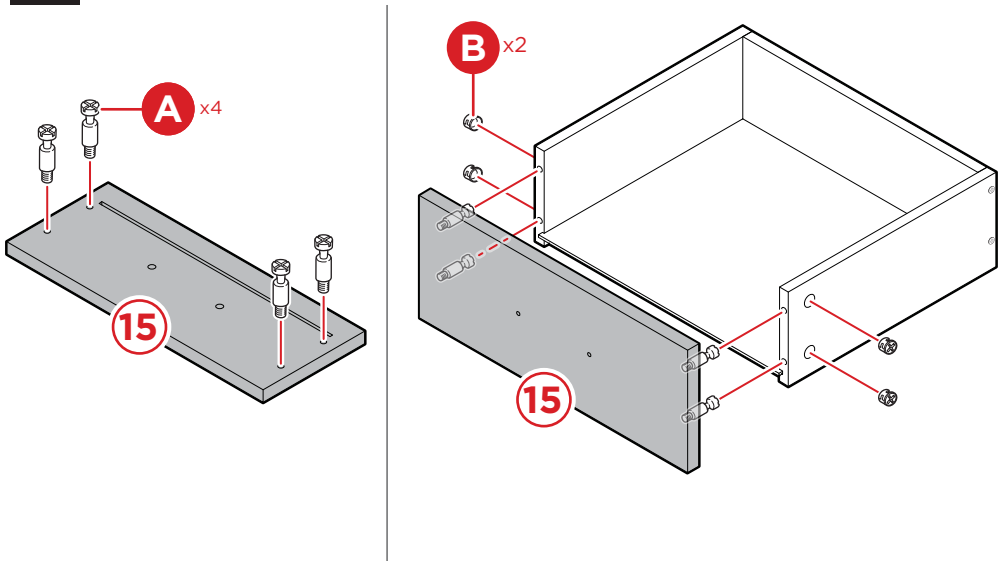




## PRODUCT ASSEMBLY

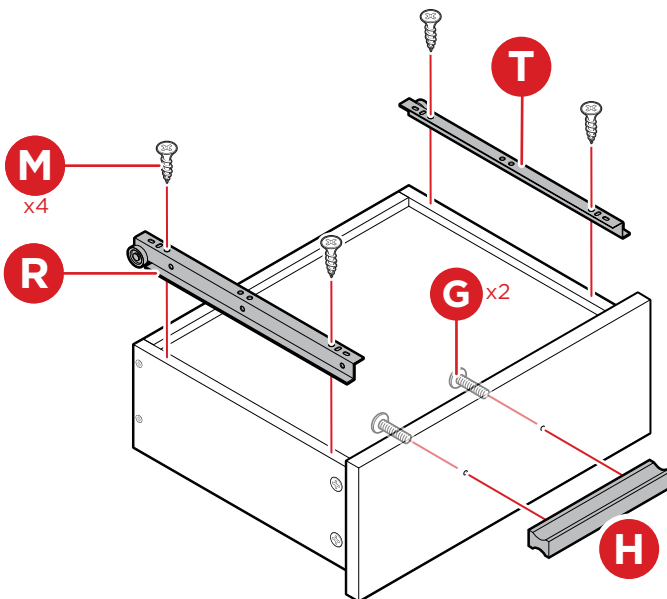
7

Screw four part A cam bolts into part 15 drawer front. Attach the drawer front with four part B cam locks.



8

Attach a part H handle with two part G screws. Attach part R and part T inner railings with four part M screws.

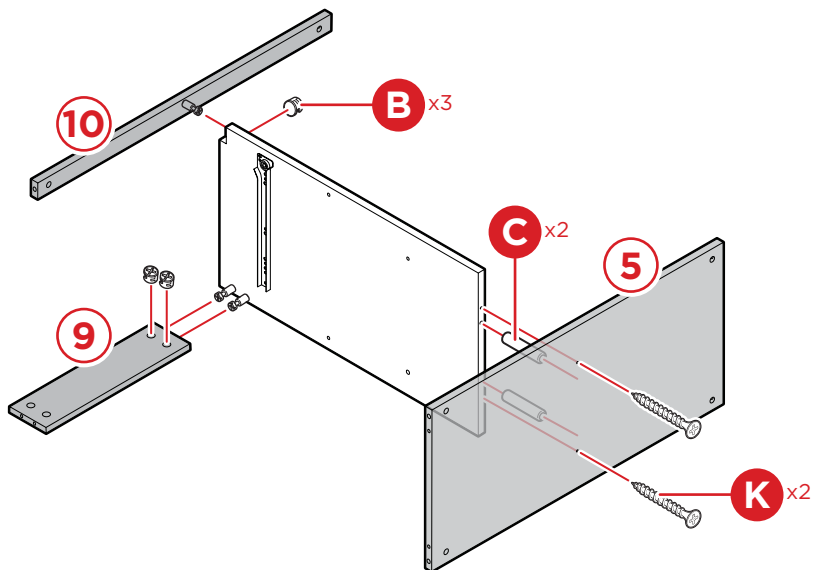


Flip drawer over to attach railings.

## PRODUCT ASSEMBLY

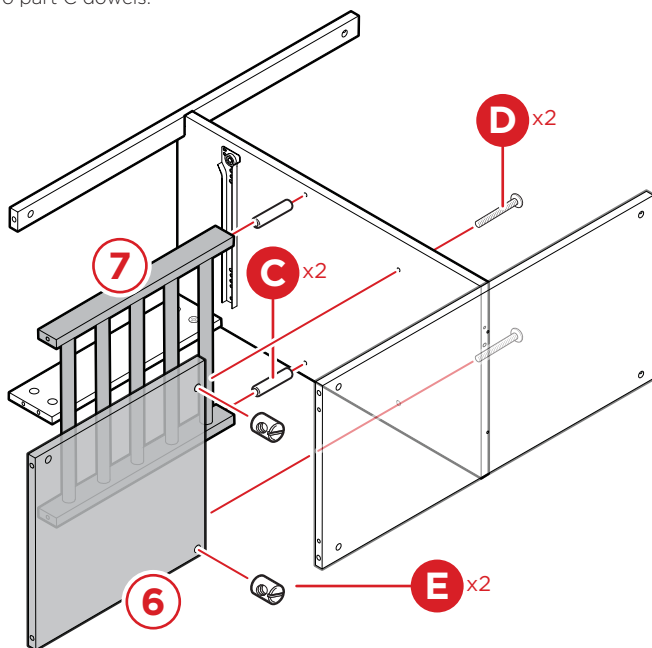
9

Attach part 9 back support and part 10 front support with three part B cam locks. Attach part 5 bottom panel with two part C dowels and two part K screws.



10

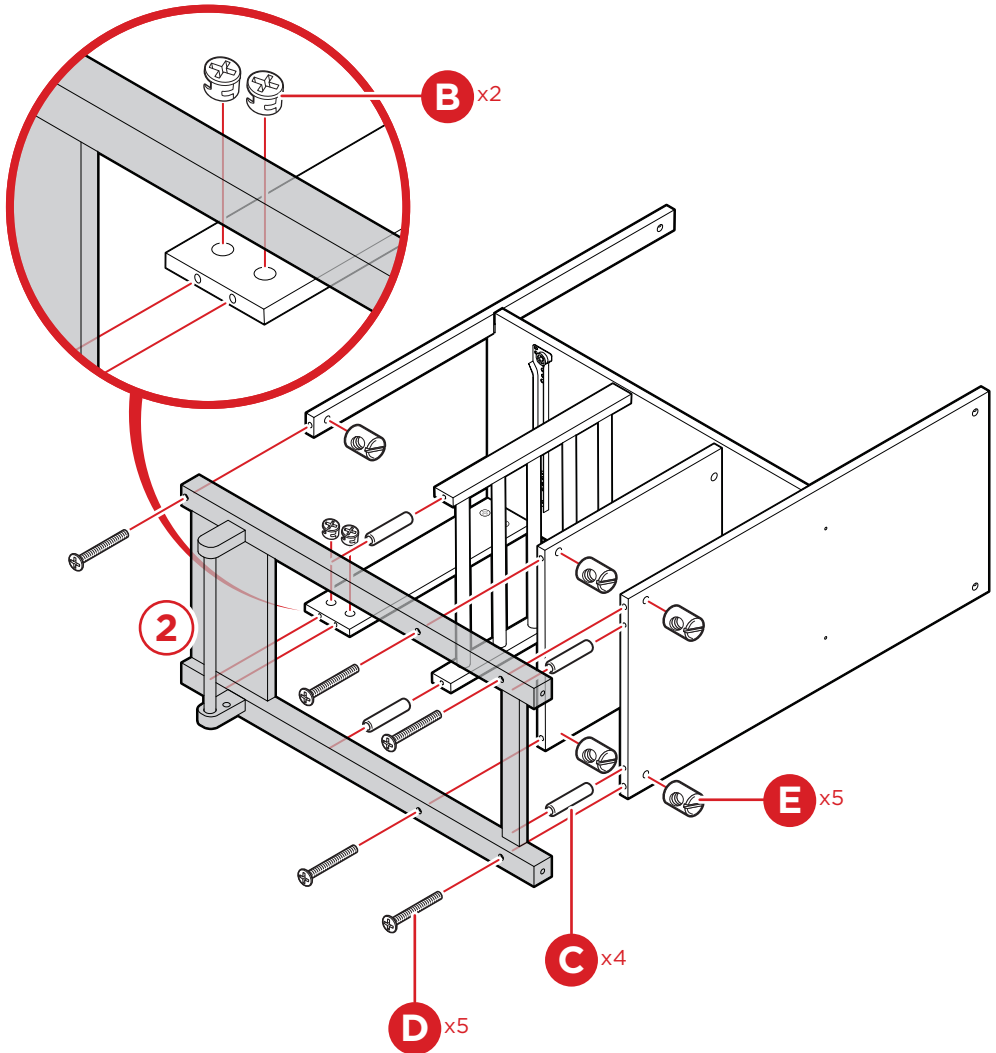
Attach part 6 shelf with two part D bolts and two part E anchor nuts. Attach part 7 slotted shelf with two part C dowels.



## PRODUCT ASSEMBLY

11

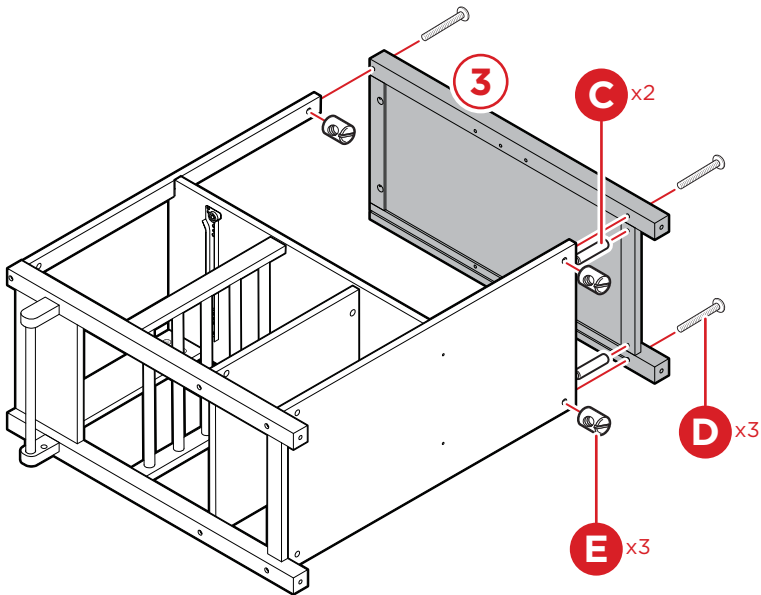
Attach part 2 left side with two part B cam locks, four part C dowels, five part D bolts, and five part E anchor nuts.



## PRODUCT ASSEMBLY

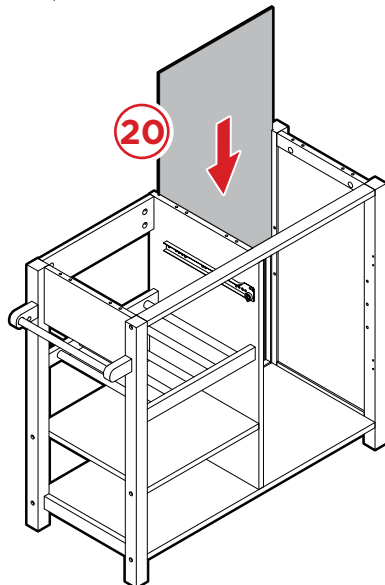
12

Attach part 3 right side with two part C dowels, three part D bolts, and three part E anchor nuts.



13

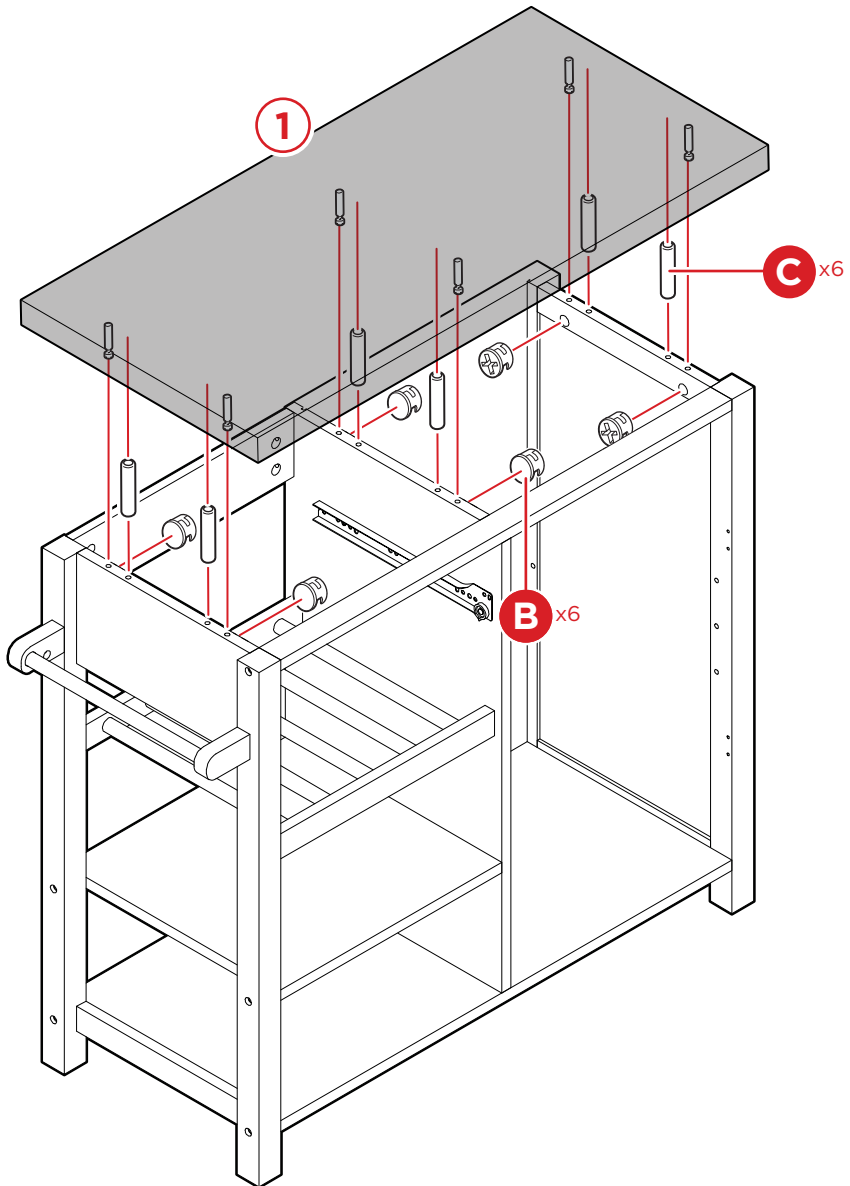
Slide in the part 20 back panel.



## PRODUCT ASSEMBLY

14

Attach the part 1 tabletop with six part C dowels and six part B cam locks.

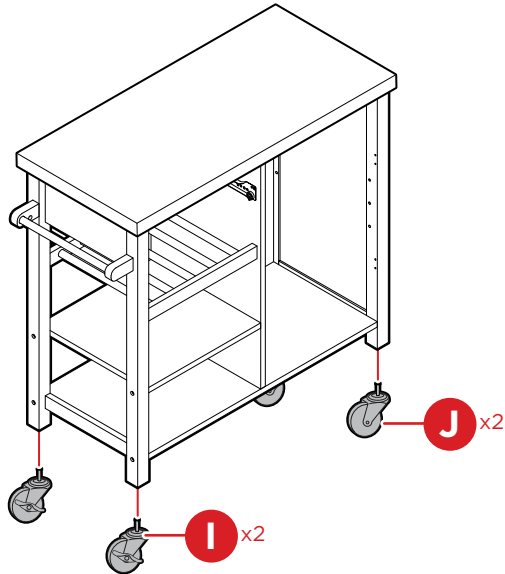


## PRODUCT ASSEMBLY

16

Screw in two part I locking casters and two part J casters.

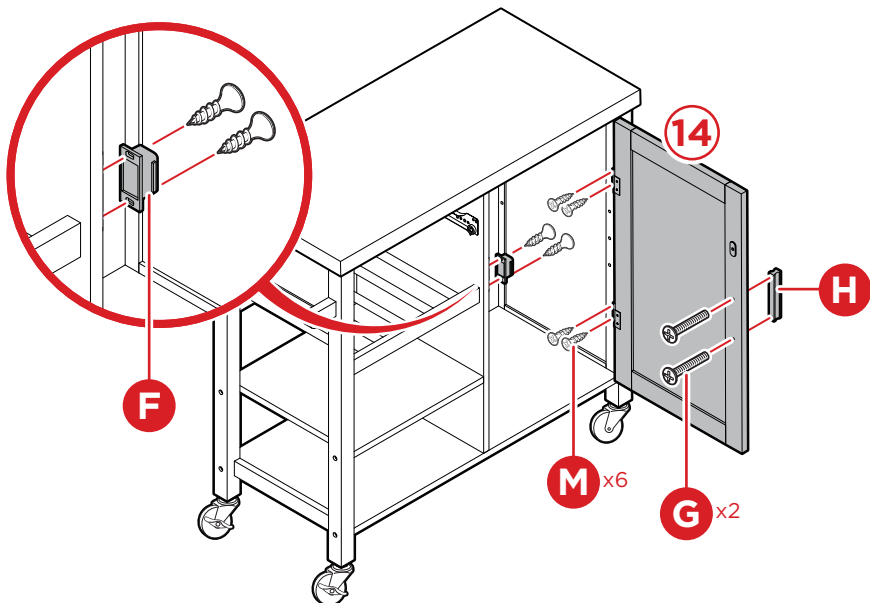
**NOTE:** If necessary, carefully flip cart over to install casters.



15

Attach part F magnetic catch with two part M screws. Attach part H handle to part 14 door with two part G screws.

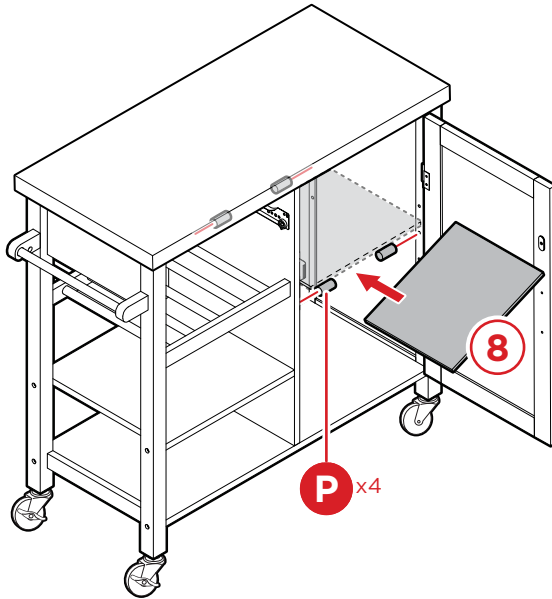
Attach the hinges on the door with four part M screws.



## PRODUCT ASSEMBLY

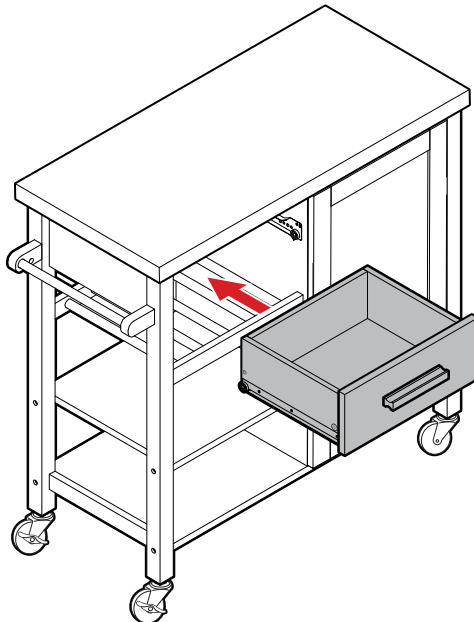
17

Insert four part P shelf pegs. Angle the part 8 shelf onto the pegs.



18

Insert the drawer by lining up the railings.





# HELP CENTER



Question about your product? We're here to help. Visit us at:

[help.bestchoiceproducts.com](http://help.bestchoiceproducts.com)



Chat Support



Product Inquiry



Orders FAQ



Product Assembly



Returns & Refunds

## PRODUCT WARRANTY INFORMATION

All items can be returned for any reason within 60 days of the receipt and will receive a full refund as long as the item is returned in its original product packaging and all accessories from its original shipment are included. All returned items will receive a full refund back to the original payment method. All returned items will not be charged a re-stocking fee.

All returned items require an RA (Return Authorization) number, which can only be provided by a Best Choice Products Customer Service Representative when the return request is submitted. Items received without an RA may not be accepted or may increase your return processing time. Once an item has been received by Best Choice Products, refunds or replacements will be processed within 5 business days.

All returns must be shipped back to the Best Choice Products Return Center at the customer's expense. If the reason for return is a result of an error by Best Choice Products then Best Choice Products will provide a pre-paid shipping label via email. Boxes for return shipping will not be provided by Best Choice Products, and is the customer's responsibility to either use the original shipping boxes or purchase new boxes.

Pictures may be required for some returns to ensure an item is not damaged prior to its return. Items returned are not considered undamaged until they are received by Best Choice Products and verified as such. All damages to items are the customer's responsibility until the item has been received by and acknowledge by Best Choice Products as undamaged.

## WARNING

Manufacturer and seller expressly disclaim any and all liability for personal injury, property damage or loss, whether direct, indirect, or incidental, resulting from the incorrect attachment, improper use, inadequate maintenance, or neglect of this product.