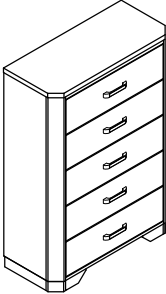




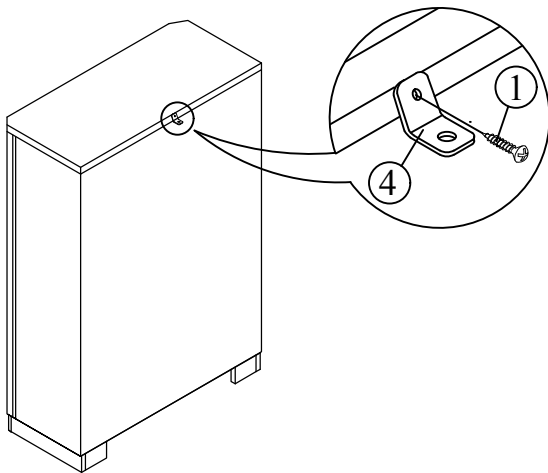


PARTS IDENTIFICATION IDENTIFICATION DES PIÈCES		HARDWARE IDENTIFICATION IDENTIFICATION DE LA QUINCAILLERIE			
A. CHEST COMMUNE 	1 SET 1 ENSEMBLE	1.		16MM SCREW VIS COURTE	1 PC. 1 PCE.
		2.		50MM SCREW VIS LONGUE	1 PC. 1 PCE.
		3.		TIE STRAP COURROIE	1 PC. 1 PCE.
		4.		L BRACKET ÉQUERRE	2 PCS. 2 PCES.

This tip restraint must be attached to a wall stud using 50mm screw enclosed.

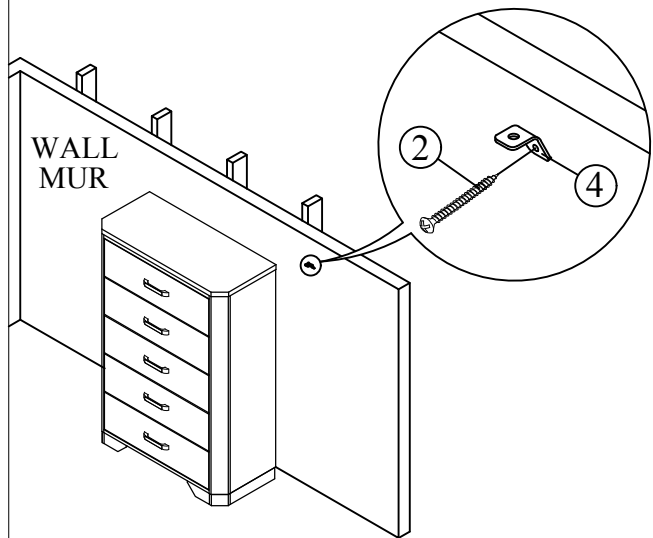
STEP 1 / Etape 1

Attach the bracket securely to the back top rail of the dresser using 16mm screw provided, through the smaller hole.



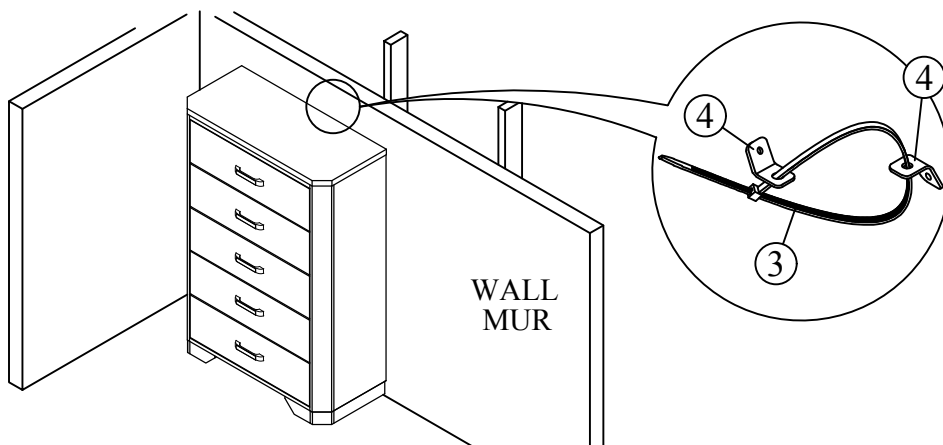
STEP 2 / Etape 2

Locate the other bracket on the wall over a wall stud and two inches below the mounting bracket secured to the back of chest. Attached to the wall stud using the 50mm screw provided, through the smaller hole.



STEP 3 / Etape 3

Place the chest into position so both mounting brackets are vertically in line. Pull the end of the restraint strap through the larger hole in each mounting bracket. Bring both ends together and slide the flat end through the locking end and draw it through until all slack is removed. Check that the strap is securely laced and locked.



It is recommended to install protective pads under all legs and supports to avoid damage or scratches when placing furniture on a wood floor or other hard surface, and to limit indentation and prevent discoloration if placing on carpet.



Il est recommandé de placer des coussins protecteurs sous tous les pieds et toutes les bases des meubles pour éviter d'endommager ou d'égratigner les planchers en bois ou autres surfaces dures, et pour limiter l'empreinte et empêcher la décoloration quand les meubles reposent sur la moquette.