

ASSEMBLY INSTRUCTION

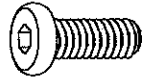
END TABLE

A Allen Wrench



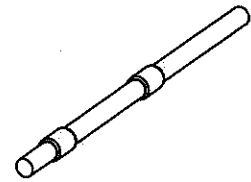
1PC

B Bolt



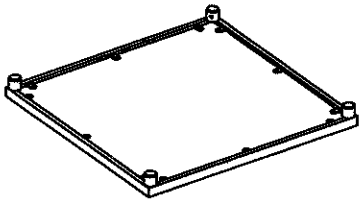
12PCS

C Leg



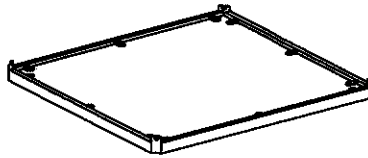
4PCS

D Top Panel



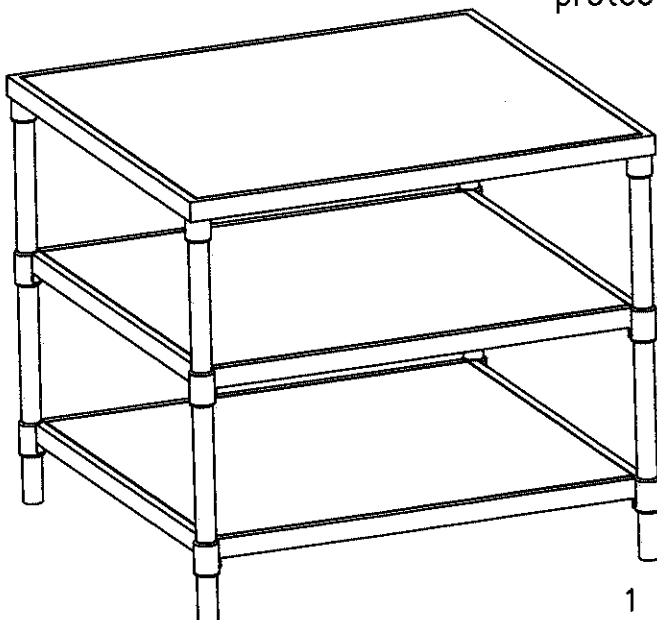
1PC

E Shelf Panel

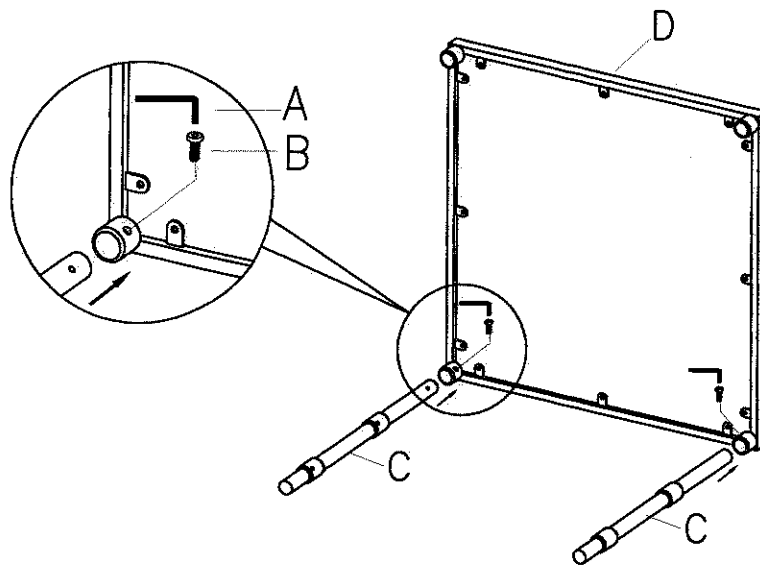


2PCS

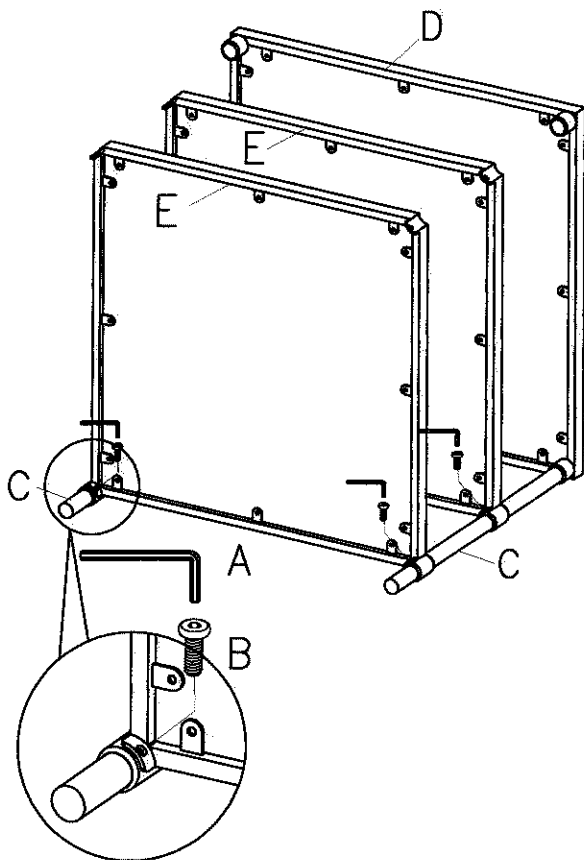
This page lists all the contents included in the box. Please take the time to identify the hardware as well as the individual components to this product. As you unpack and prepare for assembly, place the contents on a carpeted or padded area to protect them from damage.



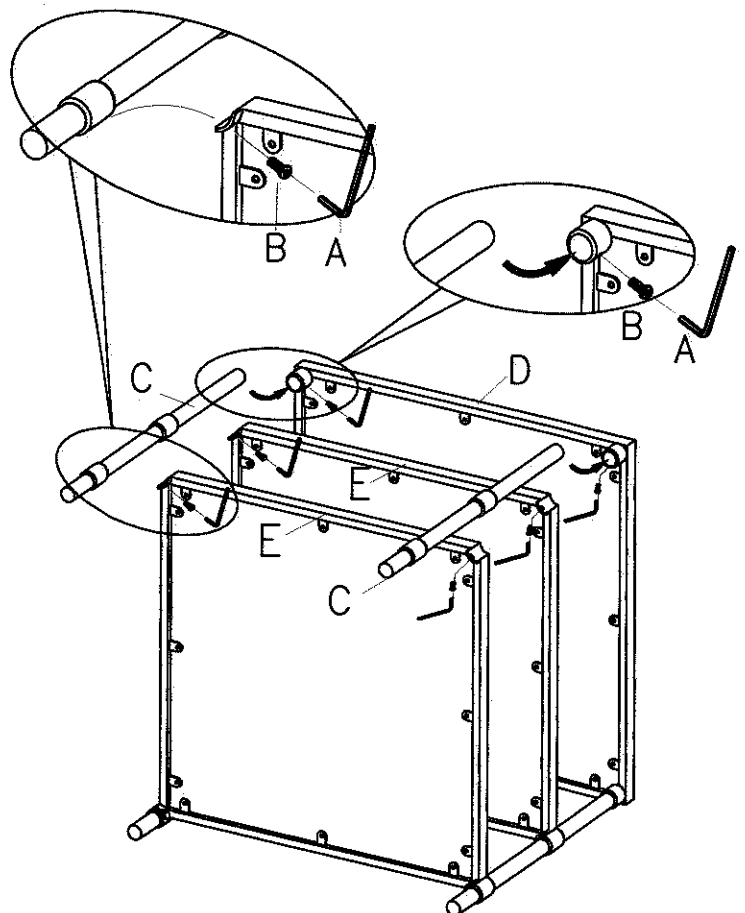
- 1** Assembly the Leg(C) onto the Top Panel(D), then using the Bolt(B) by Allen Wrench(A).



- 2** Assembly the Shelf Panel(E) onto the Leg(C), then using the Bolt(B) by Allen Wrench(A).



- 3** Assembly the Leg(C) onto the Top Panel(D) and Shelf Panel(E), then using the Bolt(B) by Allen Wrench(A).



Cleaning & Care

Treat surface with care. Surface is resistant to scratches but is not scratch resistant. Clean surfaces with a dry or damp soft cloth. Do not use abrasive cleaners. Hardware may loosen over time. Periodically check that all connections are tight.