

ARDEN 84/102 EXTENDABLE TABLE

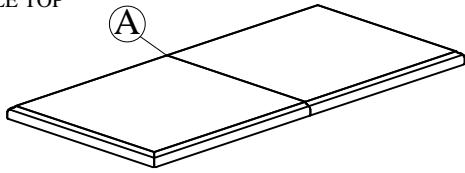
ASSEMBLY INSTRUCTIONS



PARTS PACKING CONFIGURATIONS

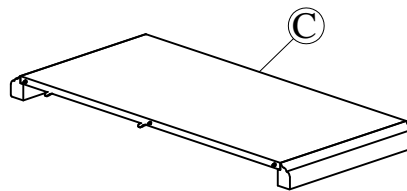
A. TABLE TOP

1 PC



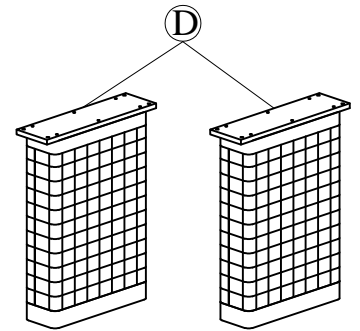
C. EXTENSION LEAF

1 PC



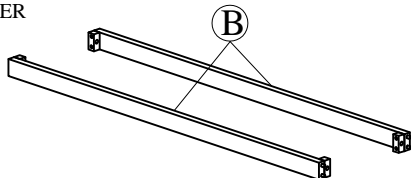
D. LEG

2 PCS

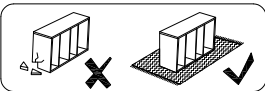
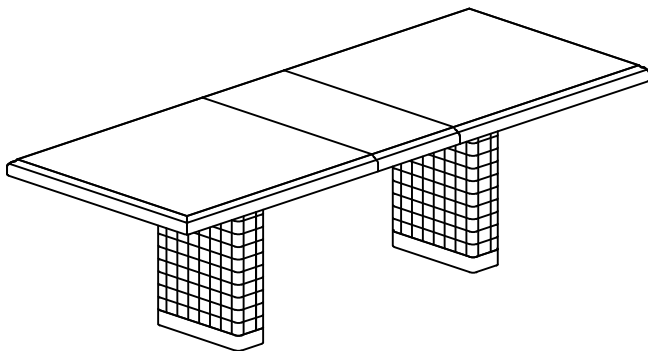


B. STRETCHER

2 PCS



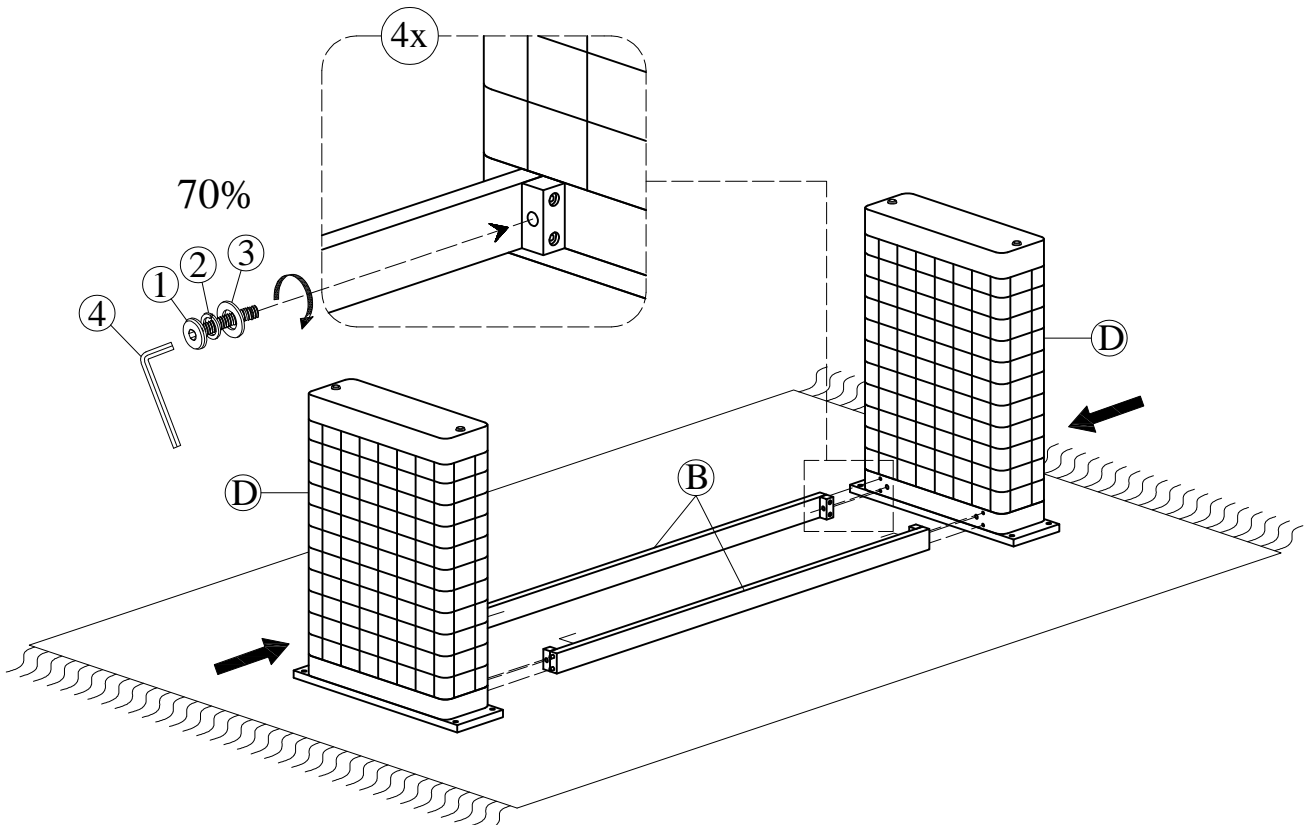
FULLY ASSEMBLED



HARDWARE KIT PACKED IN BOX

No.	Description	Image	Quantity
1	ALLEN BOLT (8x45mm)		12 PCS
2	SPRING WASHER (M8)		12 PCS
3	FLAT WASHER (M8)		12 PCS
4	ALLEN KEY (4mm)		1 PC

STEP 1:

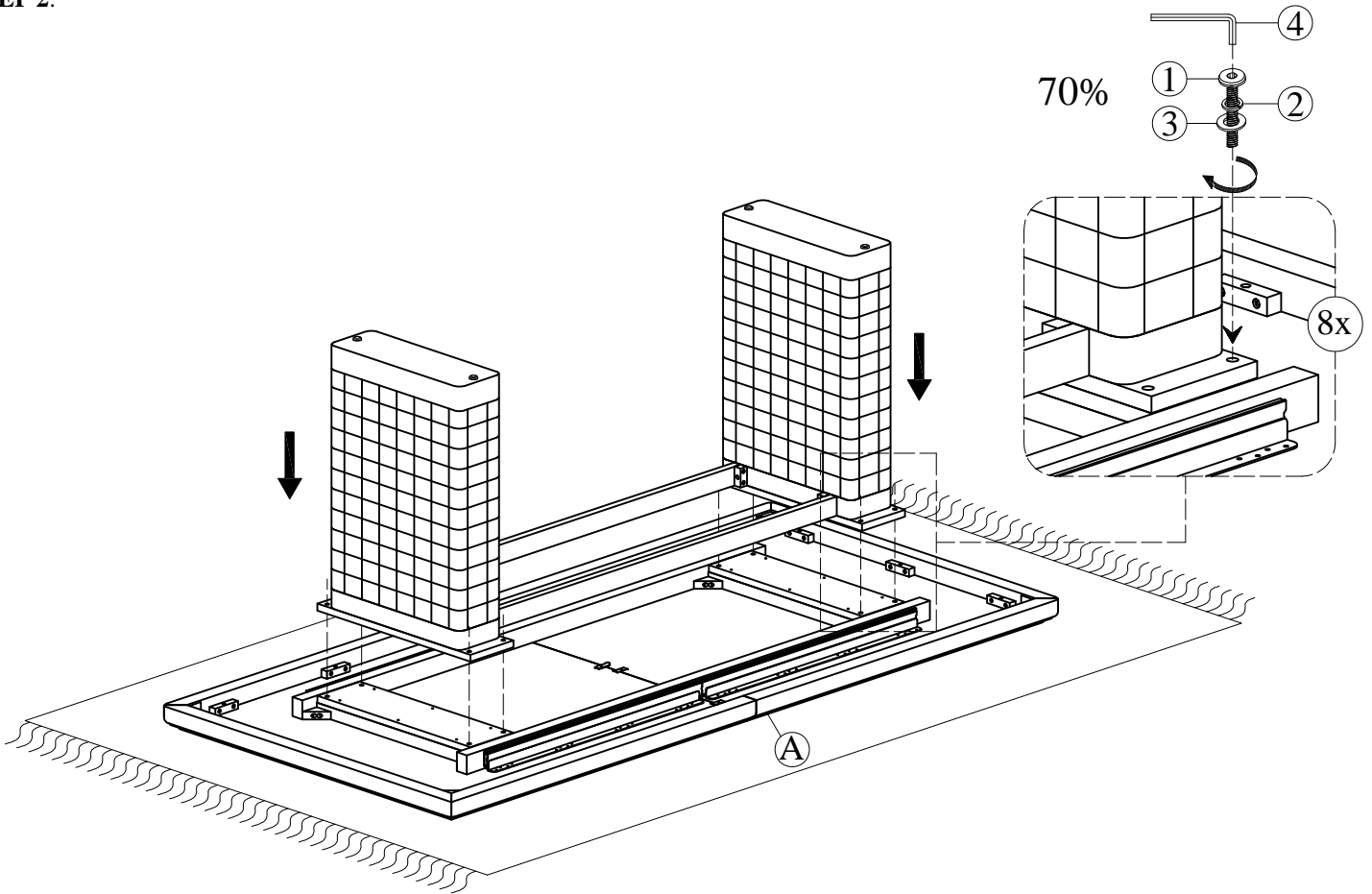


ARDEN 84/102 EXTENDABLE TABLE

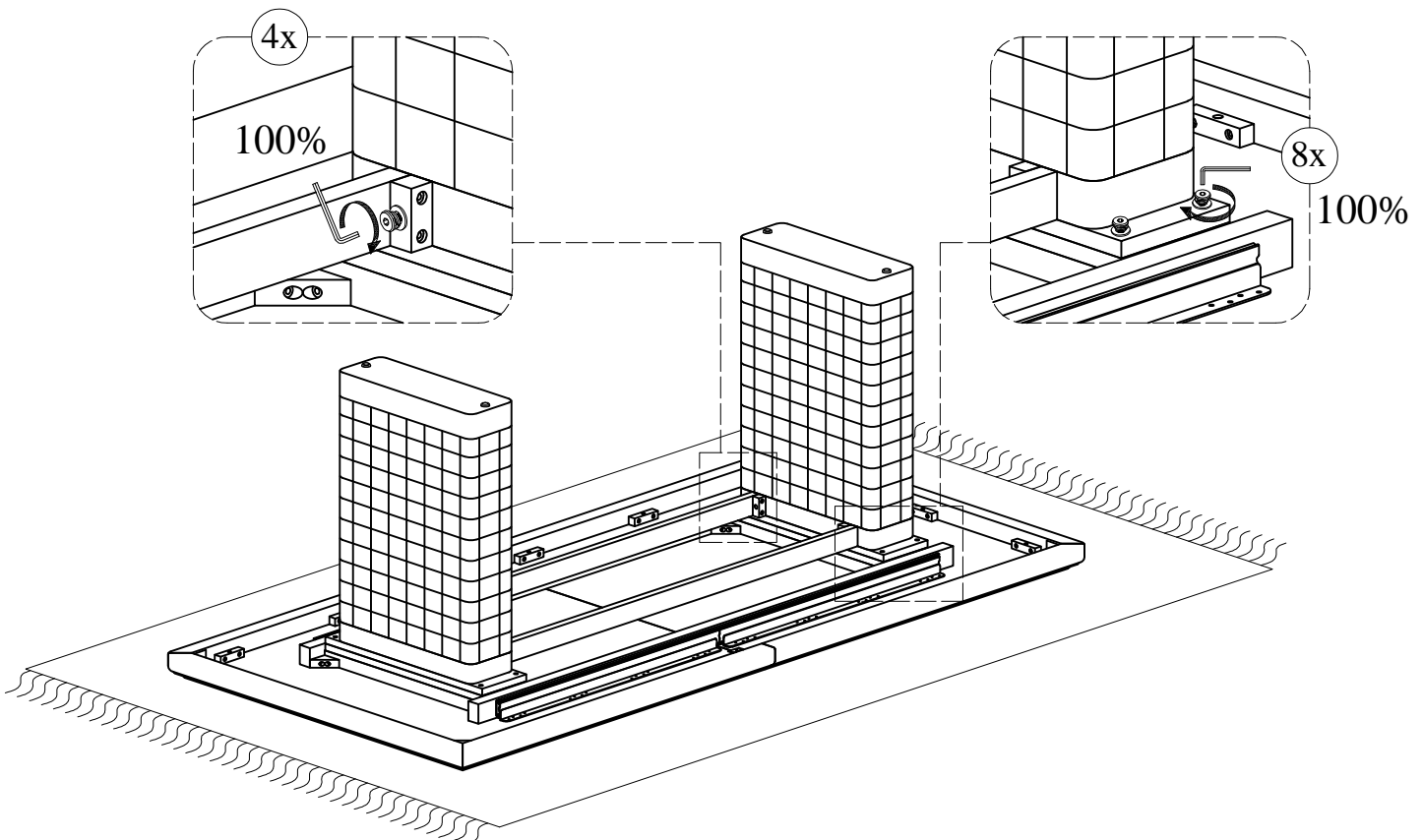
ASSEMBLY INSTRUCTIONS



STEP 2:



STEP 3:

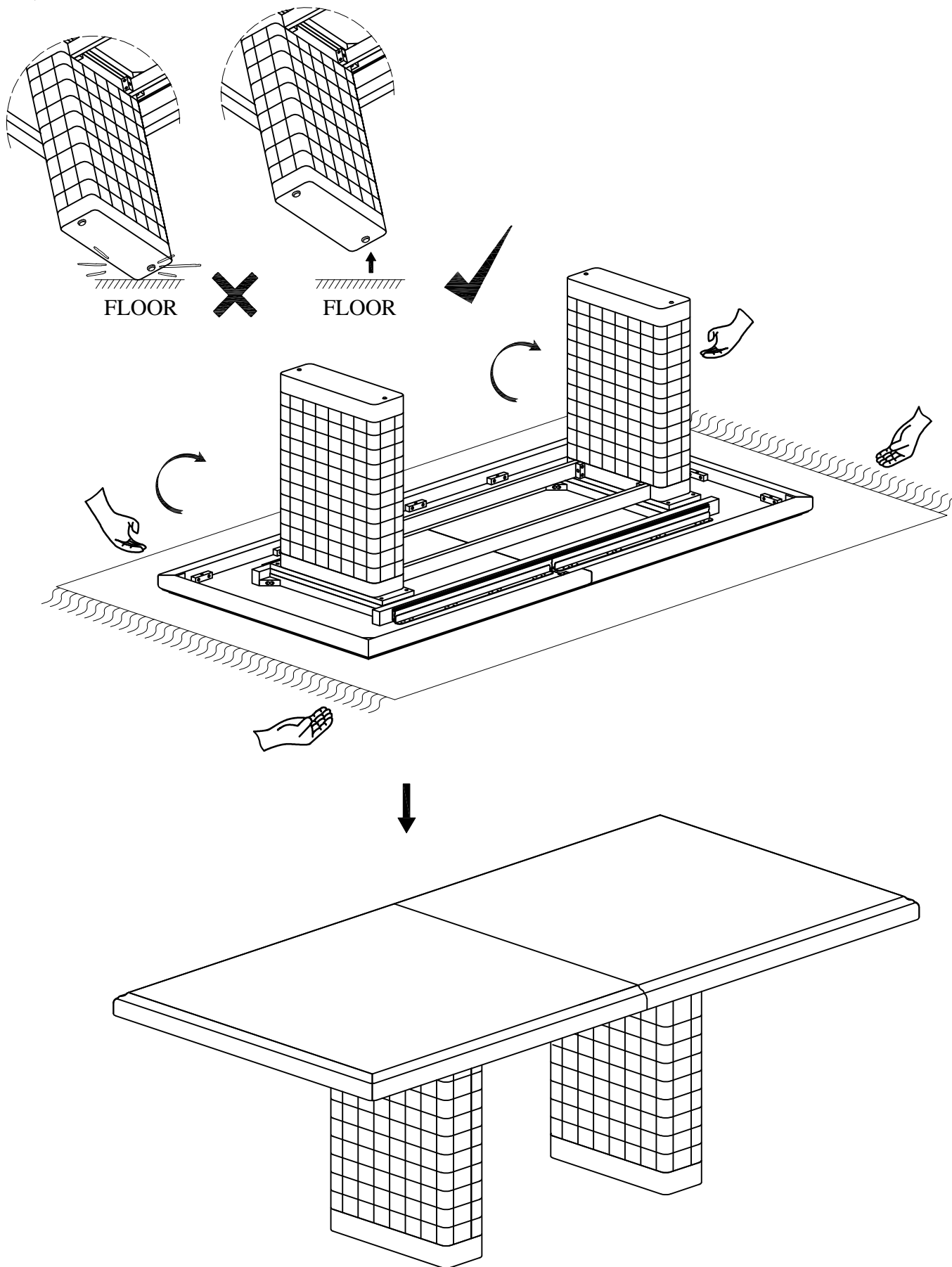


ARDEN 84/102 EXTENDABLE TABLE

ASSEMBLY INSTRUCTIONS



STEP 4:

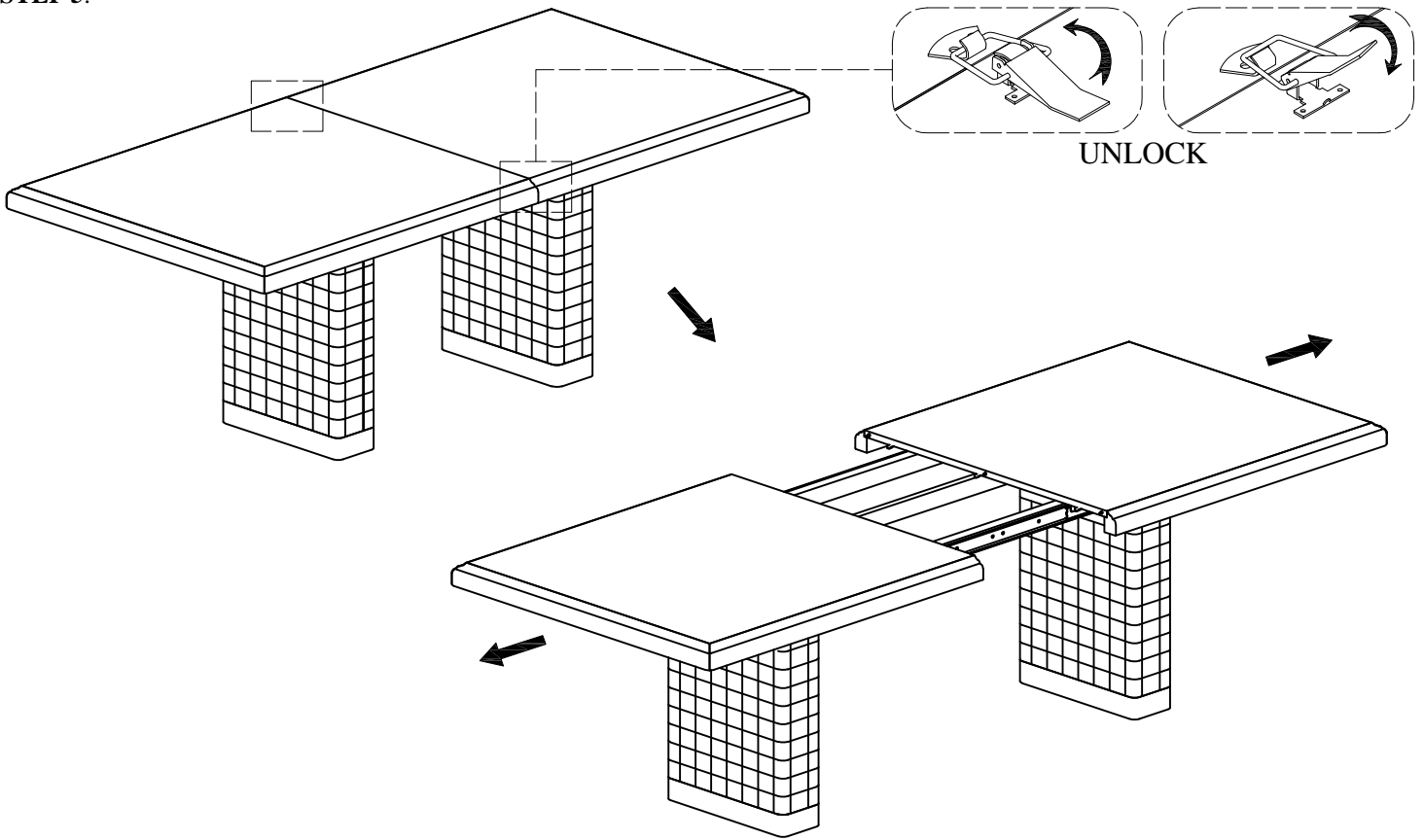


ARDEN 84/102 EXTENDABLE TABLE

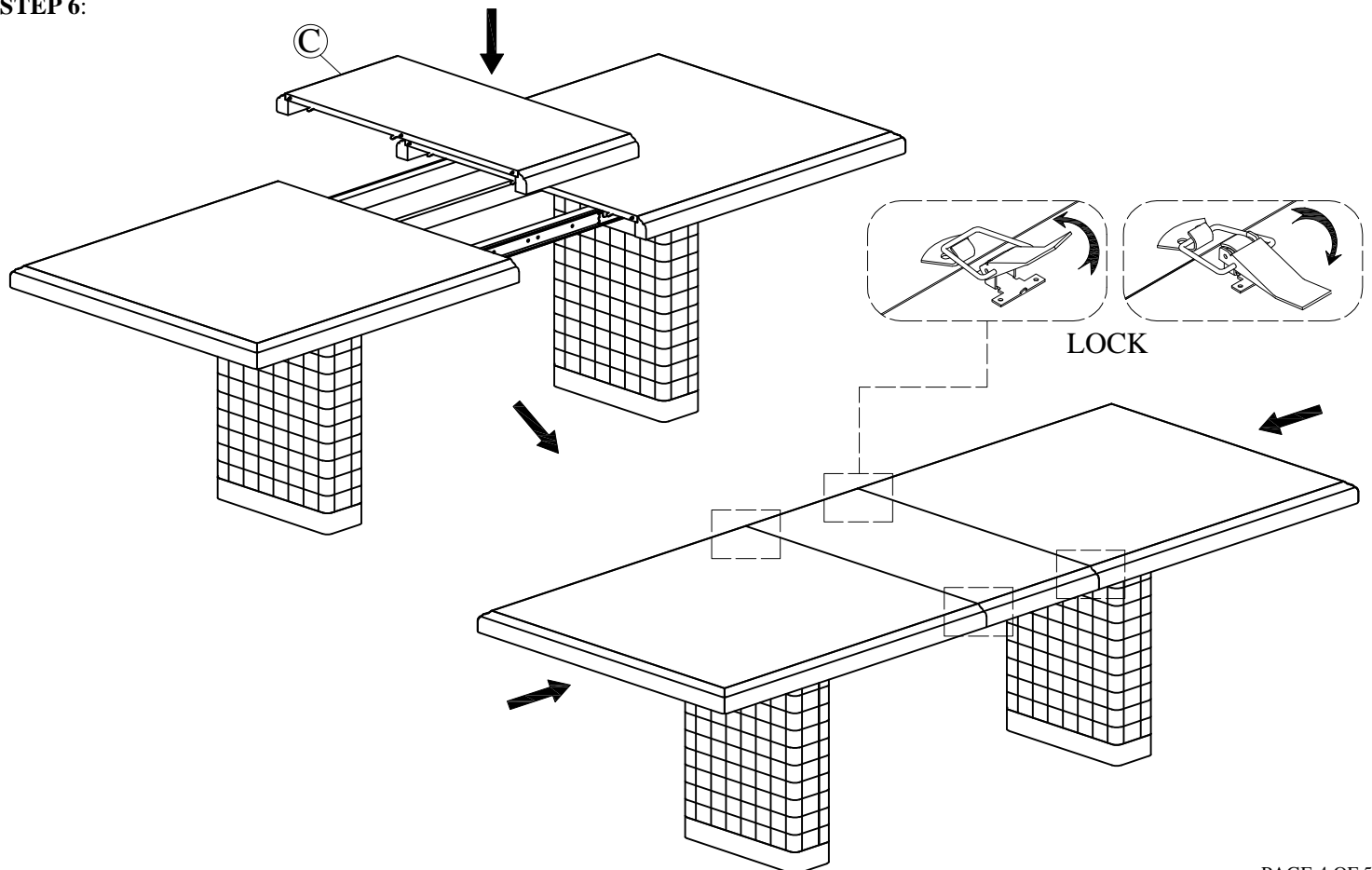
ASSEMBLY INSTRUCTIONS



STEP 5:



STEP 6:



ARDEN 84/102 EXTENDABLE TABLE

ASSEMBLY INSTRUCTIONS



STEP 7:

