

ASSEMBLY INSTRUCTION

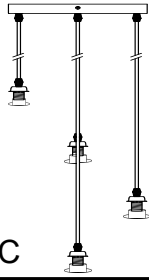
E281LT-4 4-LIGHT ROUND CRYSTAL G9 LED CHANDELIER

A Crossbar

B Lamp Body

C Crystal

D Anchor
Ø6 x 30mm



2PCS

1PC

3PCS

8PCS

E Cord Buckle
30 x 17mm

F Round Head Screw
Ø5/32 x 12mm

G Flat Head Screw
Ø5/32 x 19mm

H Self-Tapping Screw
Ø4 x 35mm



3PCS

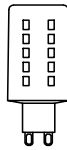
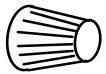
6PCS

4PCS

8PCS

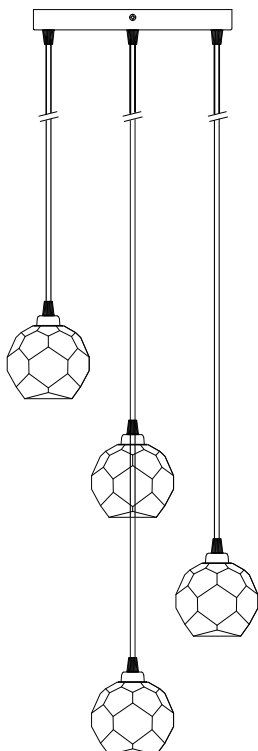
I Connector
Ø12 x 22mm

F LED Bulb
G9, 5W, 3000K



3PCS

4PCS



This page lists all the contents included in the box. Please take the time to identify the hardware as well as the individual components to this product. As you unpack and prepare for assembly, place the contents on a carpeted or padded area to protect them from damage.

NOTE : If the fixture does not work properly, consult a licensed electrician.

- 1 Shut off power at the fuse box or circuit breaker box and remove the old fixture including the mounting hardware.

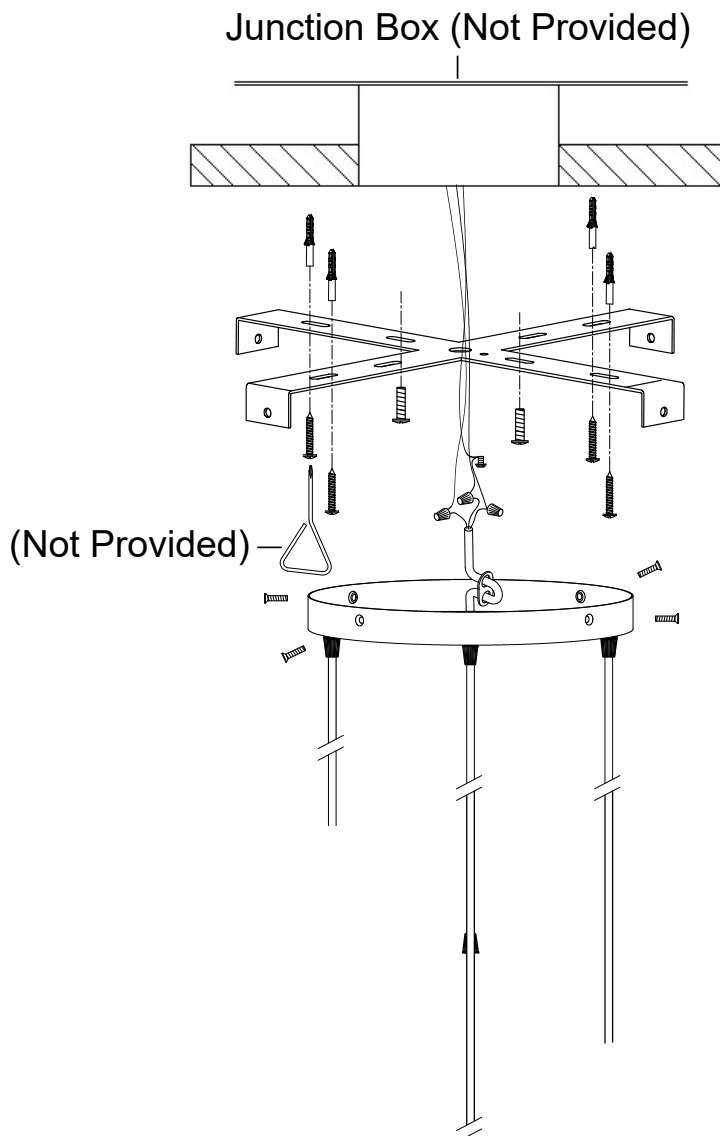
Carefully unpack your new fixture and lay out all the parts in a clear area. Take care not to misplace any small parts necessary for installation.

Use Crossbar (A) as a template, insert Anchor (D) along the junction box, then enter Self-tapping Screw (H) into Anchor (D) and attach Crossbar (A) to the junction box using Mounting screw (H). The side of Crossbar (A) marked "GND" must face down. **The junction box is not included.**

Run the cord through Cord Buckle (E), then connect the fixture wires using Connector (I).

- White wire to white (neutral) wire
- Black wire to black (live) wire
- Green wire to ground screw terminal

Tuck these wire connections neatly into the junction box.

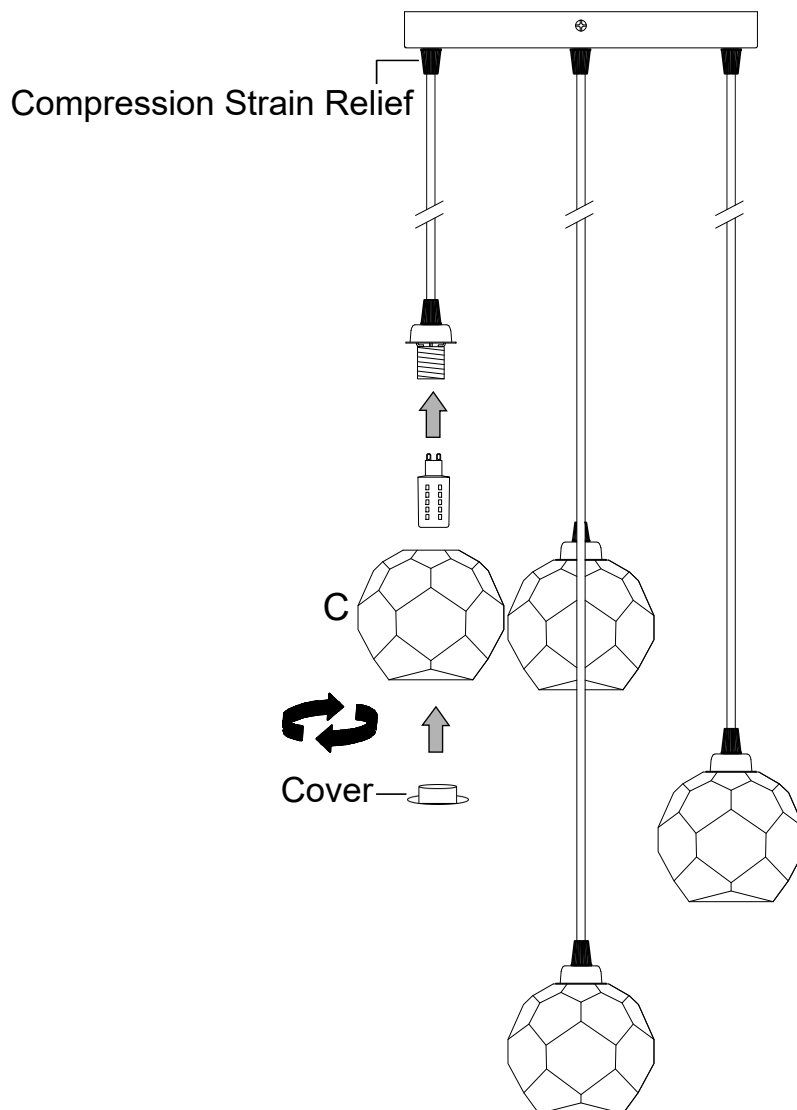


-
- 2** Attach Lamp Body (B) to Crossbar (A) using Flat Head Screw (G) with screwdriver (not provided).

Taken the cover from Lamp Body (B) then tightening Crystal (C) and Lamp Body (B) with the cover.

Determine the desired hanging height by loosening and tightening the compression strain relief of Lamp Body (B).

Your installation is now complete. Return power to the junction box and test the fixture.



Cleaning & Care

Treat surfaces with care. Surfaces are resistant to scratches but are not scratch resistant. Clean surfaces with a dry or damp soft cloth. Do not use abrasive cleaners. Hardware may loosen over time. Periodically check that all connections are tight.