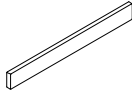
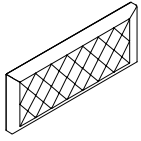


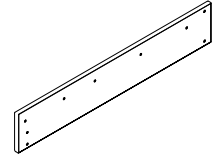
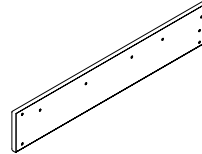
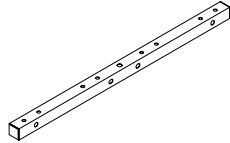
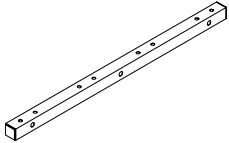
# ASSEMBLY INSTRUCTION

## PLATFORM FULL BED / PLATFORM QUEEN BED

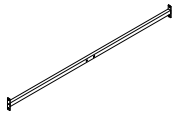
**A** Headboard      **B** Footboard      **C** Lsf Headboard Post      **D** Rsf Headboard Post



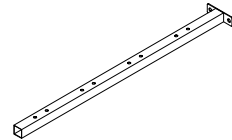
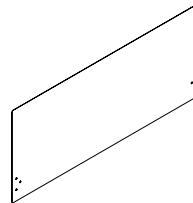
**E** Rail Cleat - Front / Rear      **F** Rail Cleat - Center      **G** Rail Section - Front      **H** Rail Section - Rear



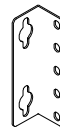
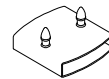
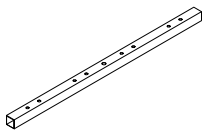
**I** Center Support Bar      **J** Headboard Support Bar      **K** Rail Support Leg      **L** Leg



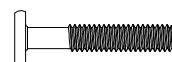
**M** Side Slat Connector      **N** Slat      **O** Fabric Cover      **P** Center Rail - Front / Rear



**Q** Center Rail - Center      **R** Center Support Leg      **S** Center Slat Connector      **T** Bracket 150\*40\*40mm



**U** Bolt 5/16"\*19mm      **V** Bolt 1/4"\*45mm      **W** Bolt 1/4"\*40mm      **X** Bolt 5/16"\*54mm



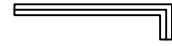
12PCS      3PCS      20PCS      8PCS

**Y** Bolt  
1/4"\*19mm

**Z** Washer  
Ø20\*Ø8.5\*2.0mm

**AA** Nut  
1/4"

**AB** L-Allen Key  
4mm



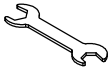
24PCS

22PCS

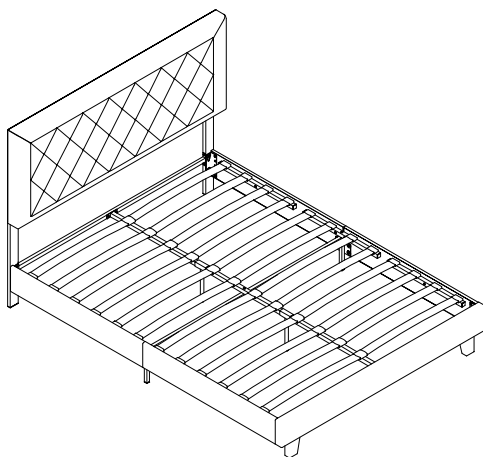
3PCS

1PC

**AC** Wrench  
1/4"



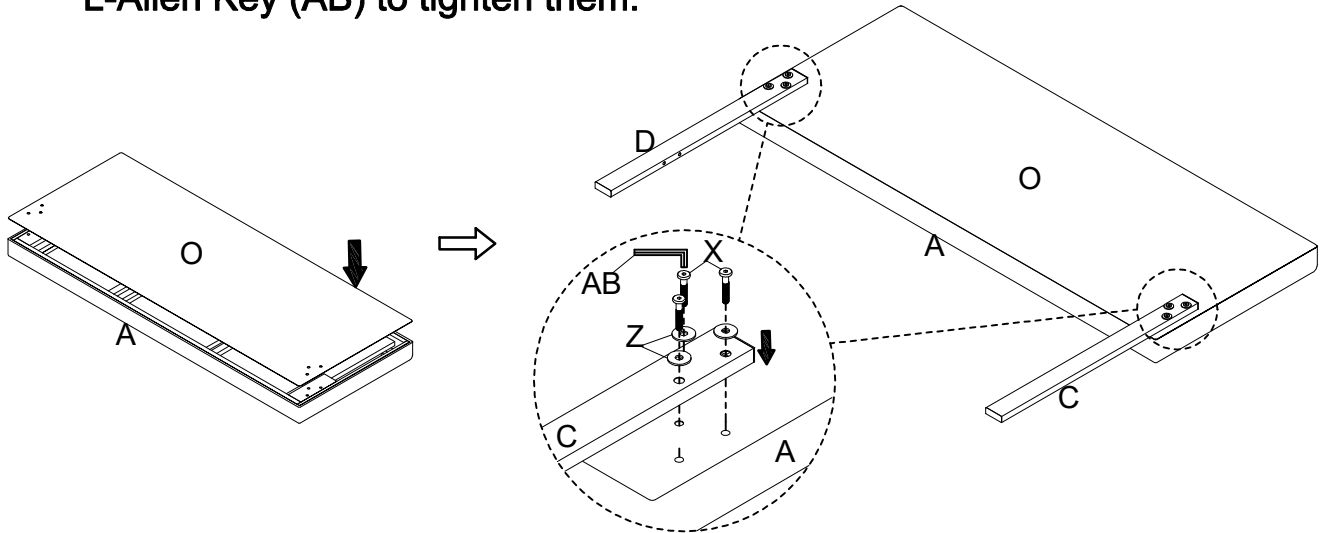
1PC



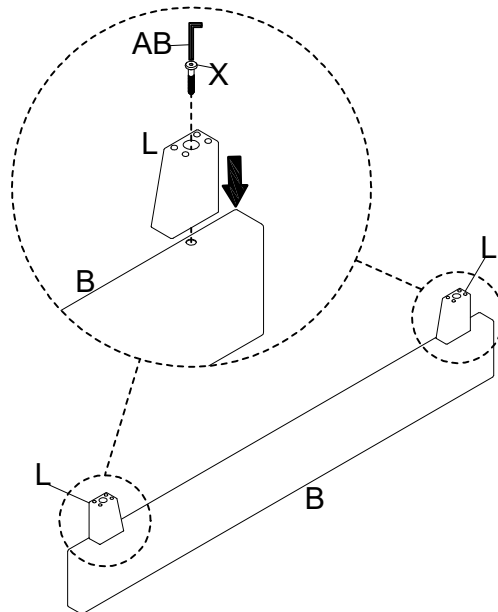
This page lists all the contents included in the box. Please take the time to identify the hardware as well as the individual components to this product. As you unpack and prepare for assembly, place the contents on a carpeted or padded area to protect them from damage.

**1**

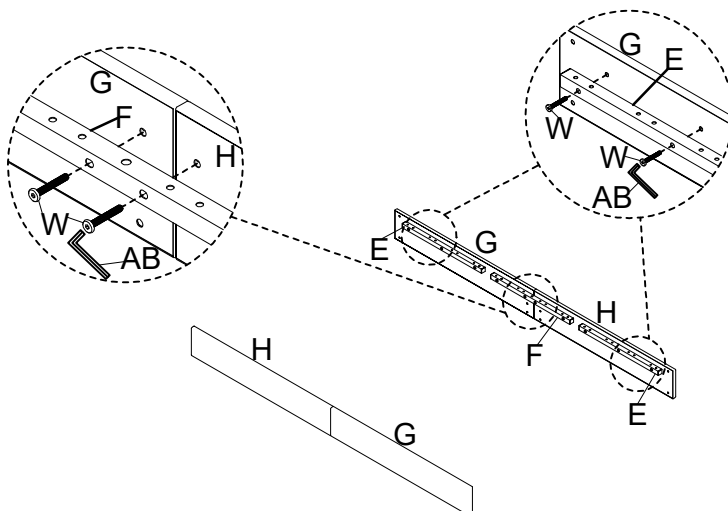
Cover the Fabric Cover (O) to the back of Headboard (A). Attach the Lsf Headboard Post (C) and Rsf Headboard Post (D) to Fabric Cover (O) and the Headboard (A), insert the Bolt (X) and the Washer (Z), turn the L-Allen Key (AB) to tighten them.

**2**

Attach Leg (L) to the Footboard (B), insert the Bolt (X), turn the L-Allen Key (AB) to tighten them.

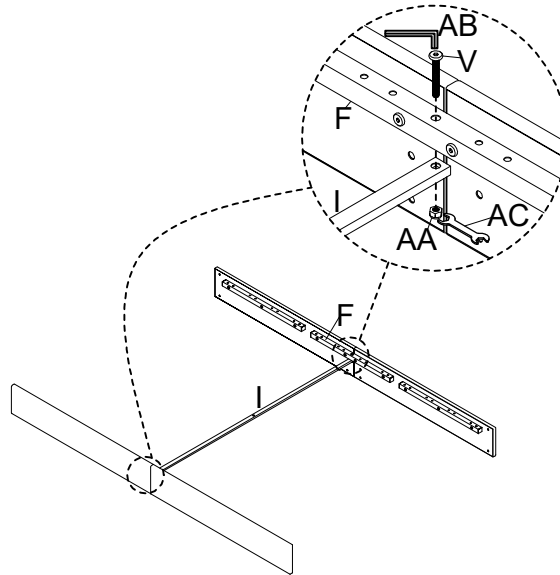
**3**

Attach the Rail Cleats (E) & (F) to the Rail Sections (G) & (H), insert the Bolt (W), turn the L-Allen Key (AB) to tighten them.

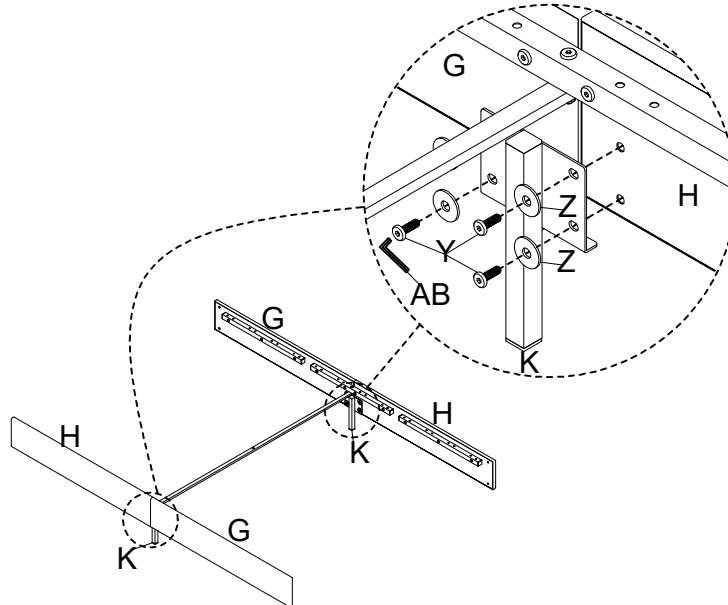


**4**

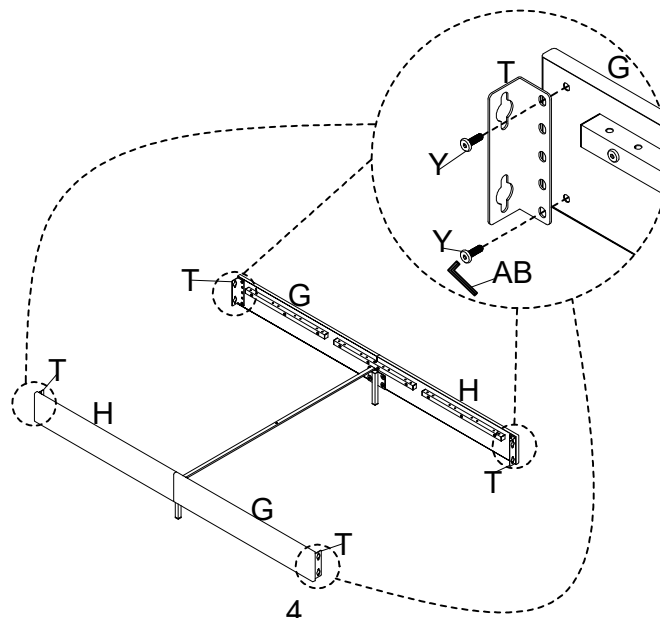
Attach the Center Support Bar (I) to the Rail Cleat - Center (F), insert the Bolt (V) and Nut (AA), turn the L-Allen Key (AB) and Wrench (AC) to tighten them.

**5**

Attach the Rail Support Leg (K) to the Rail Sections (G) & (H), insert the Bolt (Y) and Washer (Z), turn the L-Allen Key (AB) to tighten them.

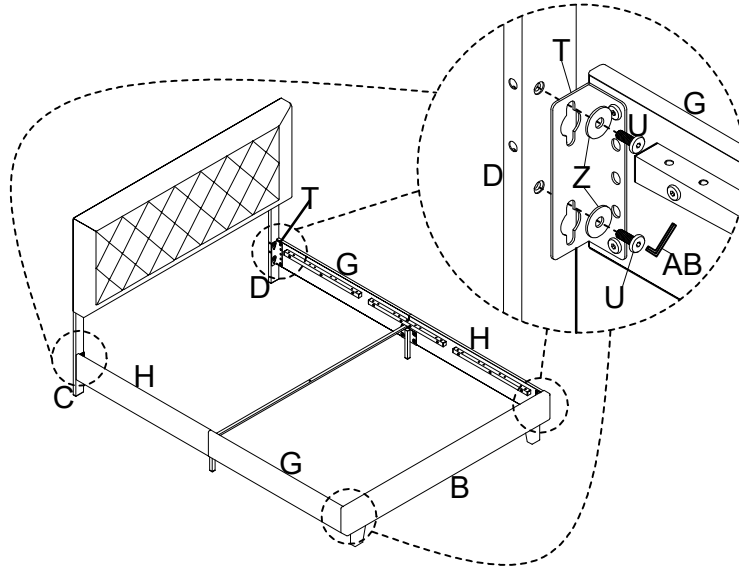
**6**

Attach the Bracket (T) to the Rail Sections (G) & (H), insert the Bolt (Y), turn the L-Allen Key (AB) to tighten them.

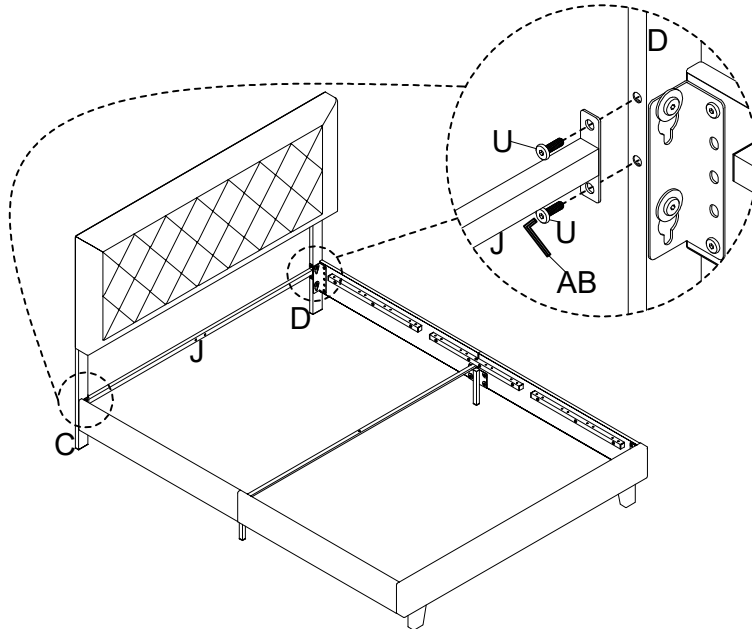


**7**

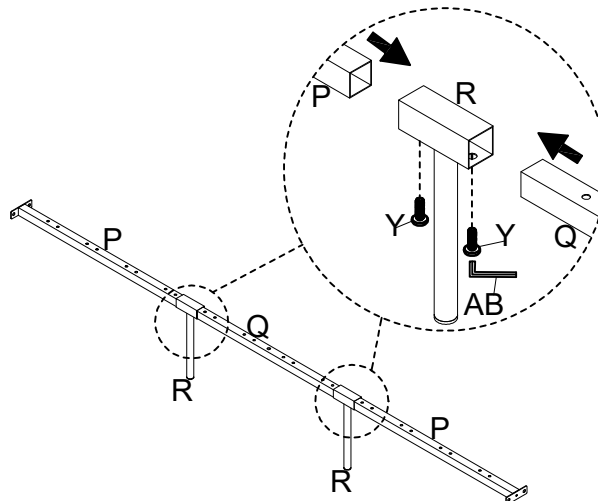
Attach the Bracket (T) to the Headboard Posts (C) & (D) and the Footboard (B), insert the Bolt (U) and Washer (Z), turn the L-Allen Key (AB) to tighten them.

**8**

Attach the Headboard Support Bar (J) to the Headboard Posts (C) & (D), insert the Bolt (U), turn the L-Allen Key (AB) to tighten them.

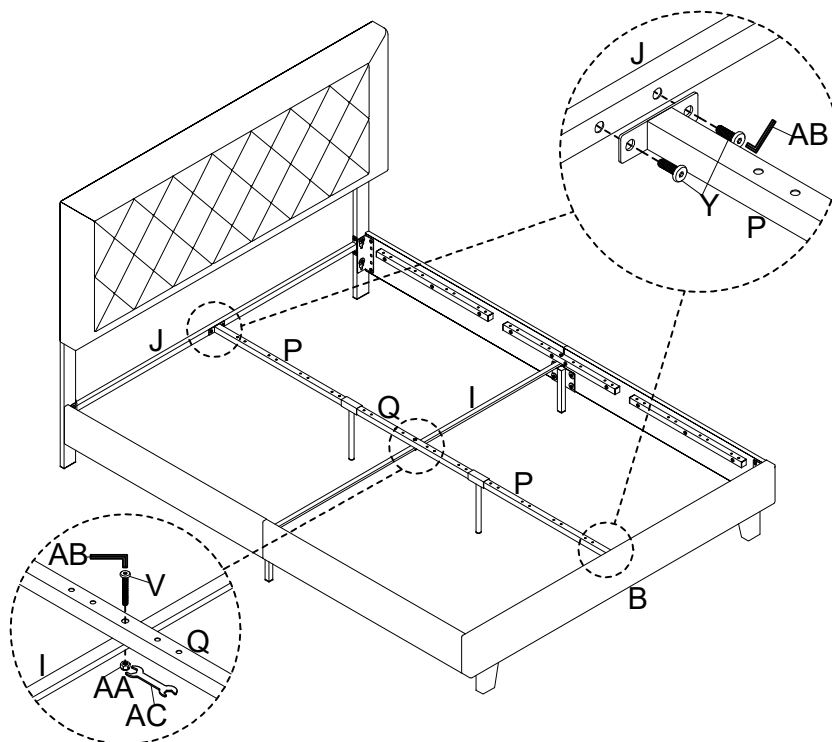
**9**

Attach the Center Support Leg (R) to the Center Rails (P) & (Q), insert the Bolt (Y), turn the L-Allen Key (AB) to tighten them.

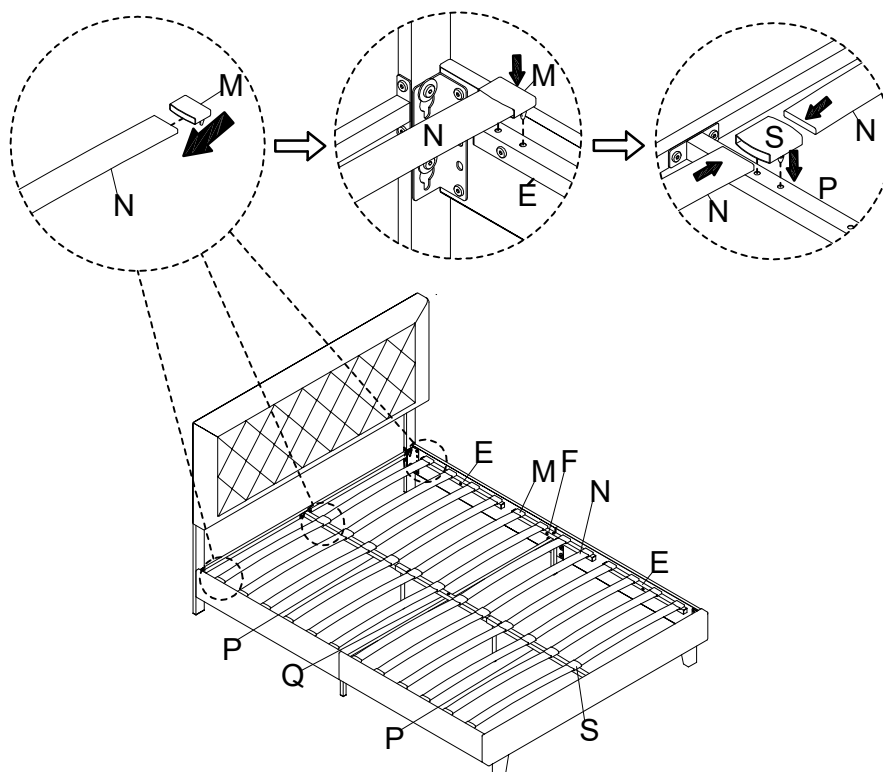


**10**

Attach the Center Rails (P) & (Q) to the Headboard Support Bar (J), the Footboard (B), and Center Support Bar (I), insert the Bolt (Y), Bolt (V) and Nut (AA), turn the L-Allen Key (AB) and Wrench (AC) to tighten them.

**11**

Insert the Side Slat Connector (M) to the Slat (N). Press the Side Slat Connector (M) to the holes of Rail Cleats (E) & (F). Insert another side of Slat (N) to the Center Slat Connector (S), press the Center Slat Connector (S) to the holes of Center Rails (P) & (Q).



## Cleaning & Care

Treat surface with care. Surface is resistant to scratches but is not scratch resistant. Clean surfaces with a dry or damp soft cloth. Do not use abrasive cleaners. Hardware may loosen over time. Periodically check that all connections are tight.