

TROPIC AIR

901952FMB-NWD

TROPIC AIR 52" FAN

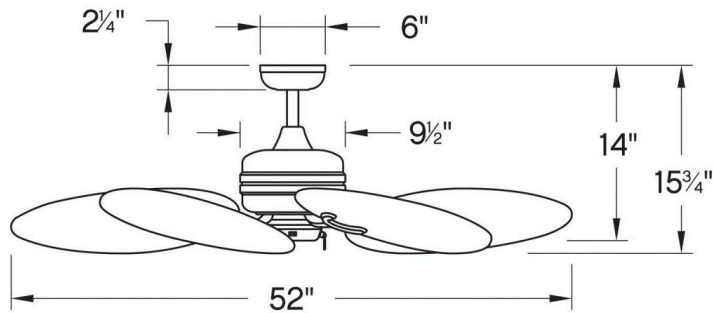
DETAILS	
FAN FINISH:	Matte Black
BLADE COUNT:	5
SLOPE DEGREE:	33

DIMENSIONS	
WIDTH:	52"
HEIGHT:	17"

LIGHT SOURCE	
VOLTAGE:	120v

MOUNTING	
CANOPY:	6" Dia.
LEAD WIRE:	1 X 76"

SHIPPING	
CARTON LENGTH:	13.9
CARTON WIDTH:	13.8
CARTON HEIGHT:	12.1



Tropic Air offers a bold, streamlined silhouette with a coastal edge. Available in Metallic Matte Bronze, Graphite, Matte White or Matte Black, its unique design has powerful DC motor technology to deliver excellent energy efficiency. Tropic Air is so versatile; it can be used for both indoor and outdoor spaces. Blades are included with every fan.

PRODUCT DETAILS:

- Can be hung on a sloped ceiling
- This item includes a 6" down rod (other lengths of down rods are available)
- Control your fan's power, light, speed, direction, and so much more from the Hinkley Home Automation app
- Pull chain manual reverse, accessory controls available
- An optional light kit is available
- Motor carries a lifetime warranty
- Blades, controls, switches, capacitors and hardware carry a 1-year warranty
- Crisp, minimal design with elegant details make a fresh, modern impact

HINKLEY

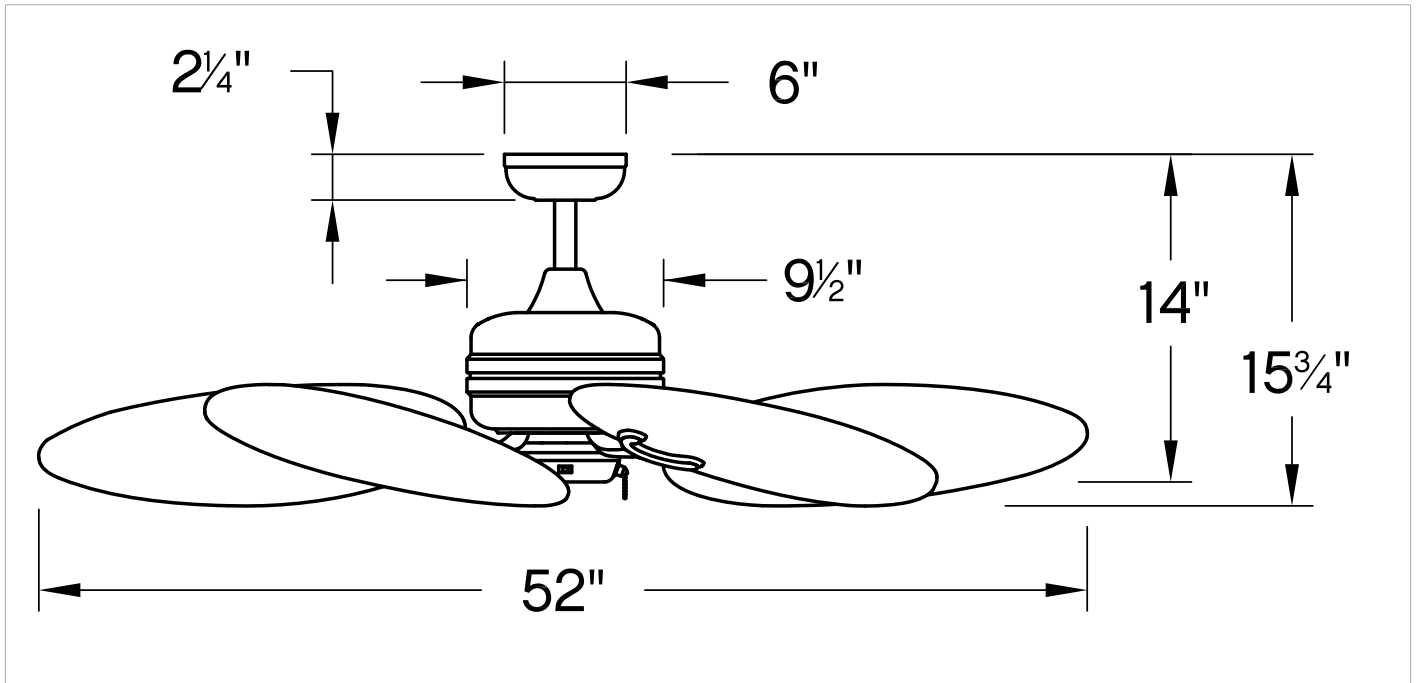
HINKLEY
33000 Pin Oak Parkway
Avon Lake, OH 44012

PHONE: (440) 653-5500
Toll Free: 1 (800) 446-5539

hinkley.com

TROPIC AIR 52" FAN

901952FMB-NWD



PERFORMANCE SPECIFICATIONS	STANDARD	
	HIGH SPEED	AVERAGE SPEED
Airflow	6345	4523
EnergyUse	29.9	19.5
EnergyCost	8	5
Efficiency	212	232
AMPS	0.39	0.24
RPMS	141	97