

I & 2 Light Flood Light

8560701, 8560702 | 1.0

GENERATION LIGHTING

GENERAL PRODUCT INFORMATION:

These fixtures are intended to be installed utilizing NEC compliant junction boxes.

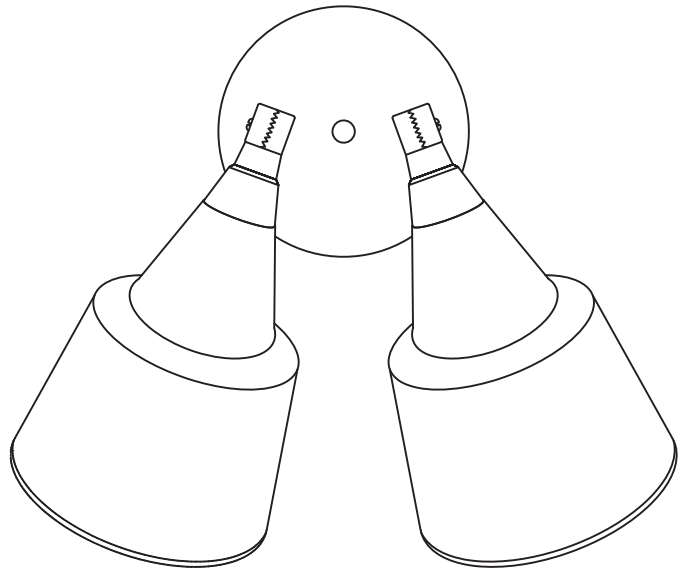
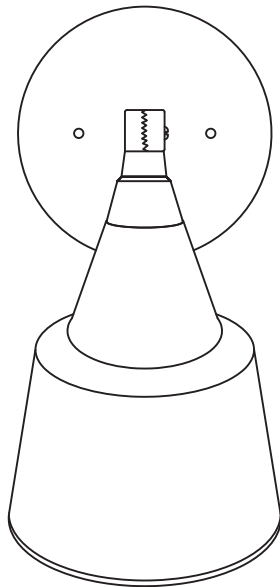
This product is safety listed for wet locations.

Incandescent version may be dimmed with a standard incandescent dimmer. LED version may be dimmed with a LED dimmer. Consult lamp manufacturer for additional information.

This instruction shows a typical installation.

SAVE THESE INSTRUCTIONS!

CAUTION - RISK OF FIRE
This product must be installed in accordance with the applicable installation code by a person familiar with the construction and operation of the product and the hazards involved.
Use minimum 90°C supply conductors.



GENERATION LIGHTING

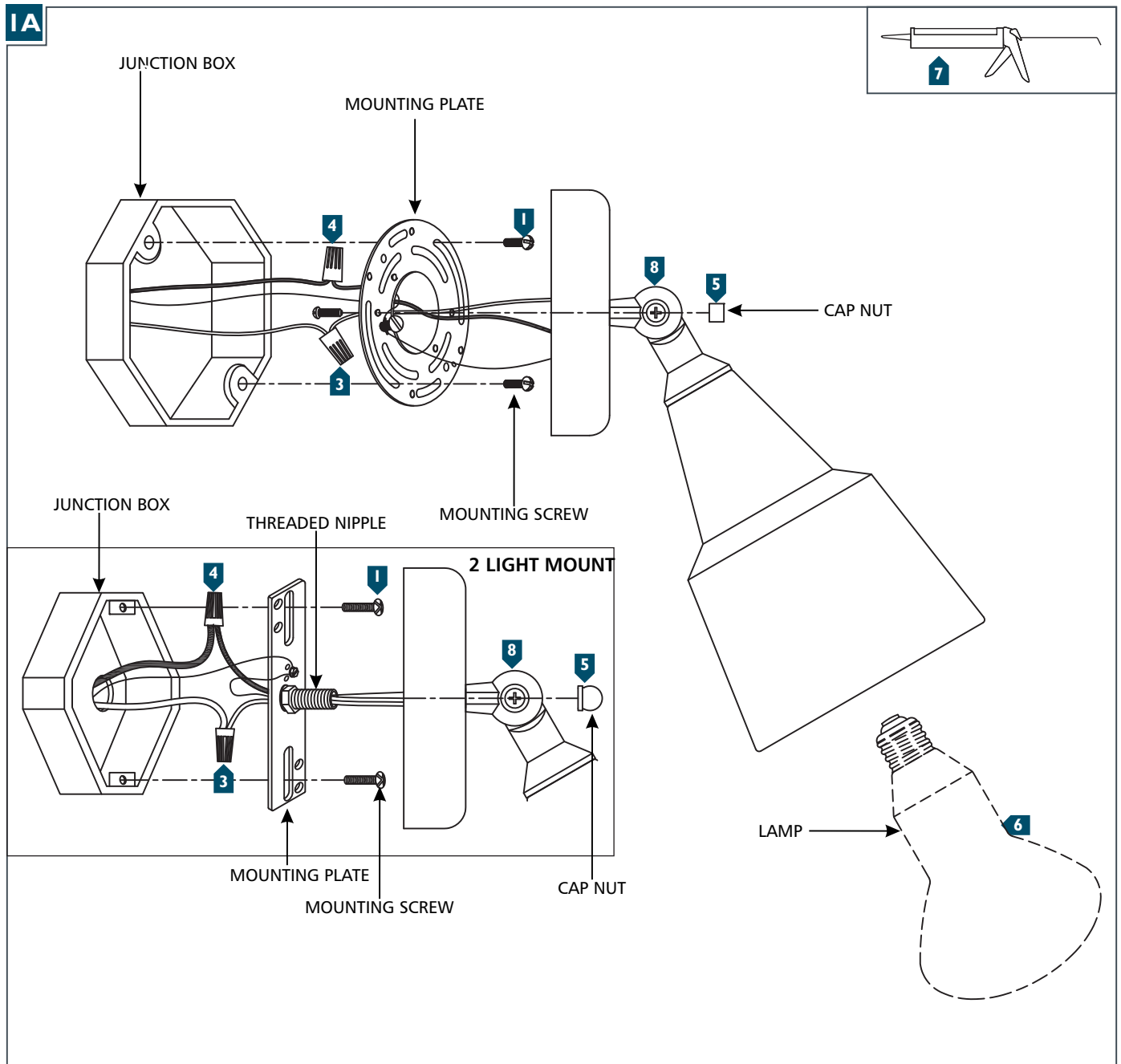
7400 Linder Ave., Skokie, IL 60077

T 847.410.4400 | F

847.410.4500

www.visualcomfort.com

Install the Fixture



- 1** Secure the mounting plate to the junction box. **2 LIGHT VERSION:** feed the fixture wires through the threaded nipple first.
- 2** Connect the fixture to a suitable ground in accordance with local electrical codes.
- 3** Connect the white fixture wire (square and/or rigid) to the neutral power line wire with a wire nut.
- 4** Connect the black fixture wire (round and/or smooth) to the hot power line wire with a wire nut.
- 5** Neatly place all the wires into the junction box, place the fixture base onto the mounting studs/threaded nipple, and secure it in place using the cap nut(s).
- 6** Screw the lamp into the socket. Refer to the label on the socket for Max Wattage Information.
- 7** **For Wet Locations**, caulk around the base of the fixture with waterproof construction sealant.
- 8** **(Optional):** Adjust the angle of the light by loosening the adjustment screw. Aim the light to the desired angle then tighten the adjustment screw.

(NOTE: The Lamp must be aimed down a minimum of 30° below horizontal.)