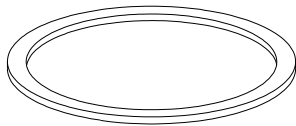


ASSEMBLY INSTRUCTION

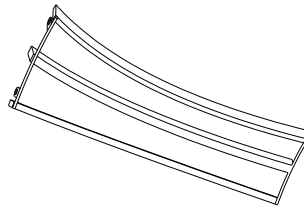
END TABLE WITH GLASS TOP

A Top Frame



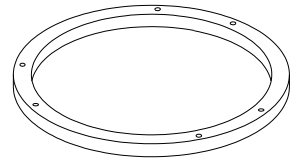
1pc

B Leg



3pcs

C Bottom Frame



1pc

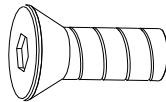
D Glass Top



1pc

E Bolt

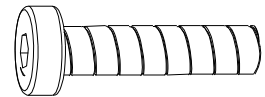
1/4" x 1/2"



6pcs

F Bolt

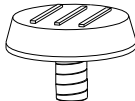
1/4" x 1-1/4"



6pcs

G Leveler

1/4" x 10mm



6pcs

H Glass Pad

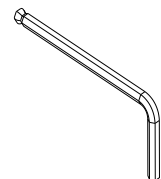
Φ10mm x 1mm



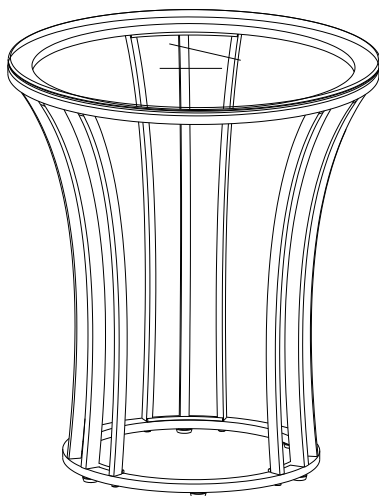
3pcs

I Allen Wrench

1/4"



1pc

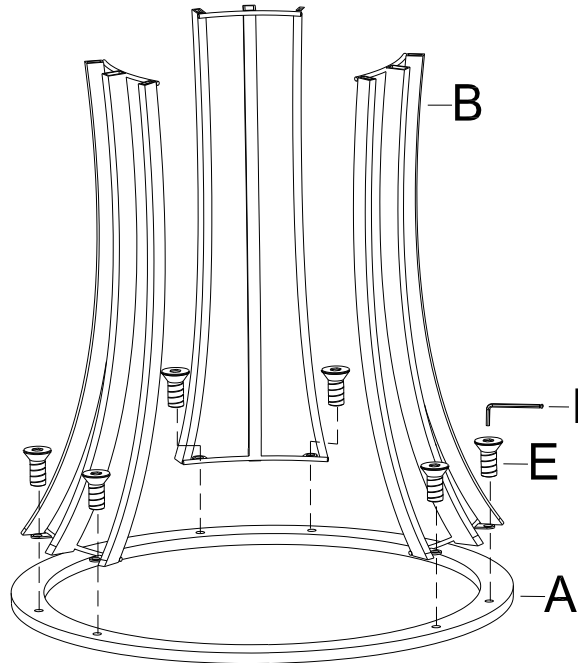


This page lists all the contents included in the box. Please take the time to identify the hardware as well as the individual components to this product. As you unpack and prepare for assembly, place the contents on a carpeted or padded area to protect them from damage.

***** Do not tighten screws & bolts until the entire unit is completely assembled.**

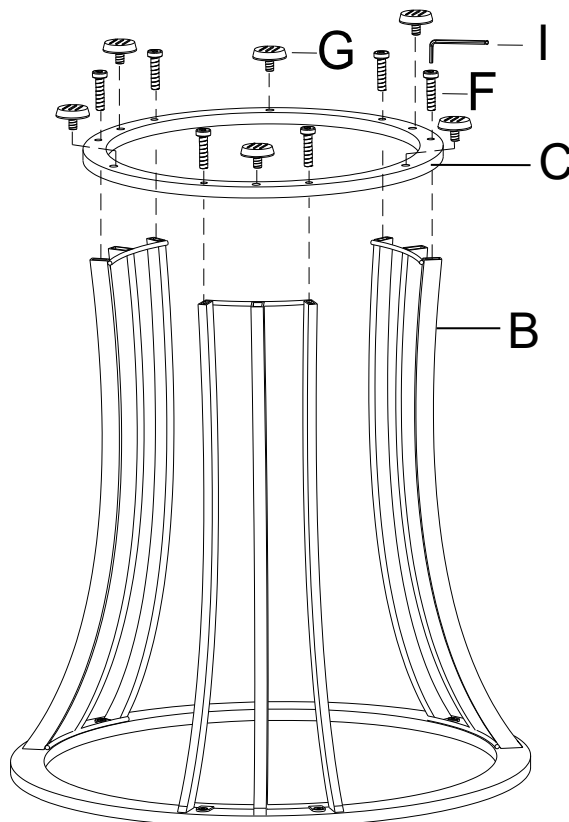
1

Attach the Leg (B) to the Top Frame (A) using Bolt (E) with Allen Wrench (I).

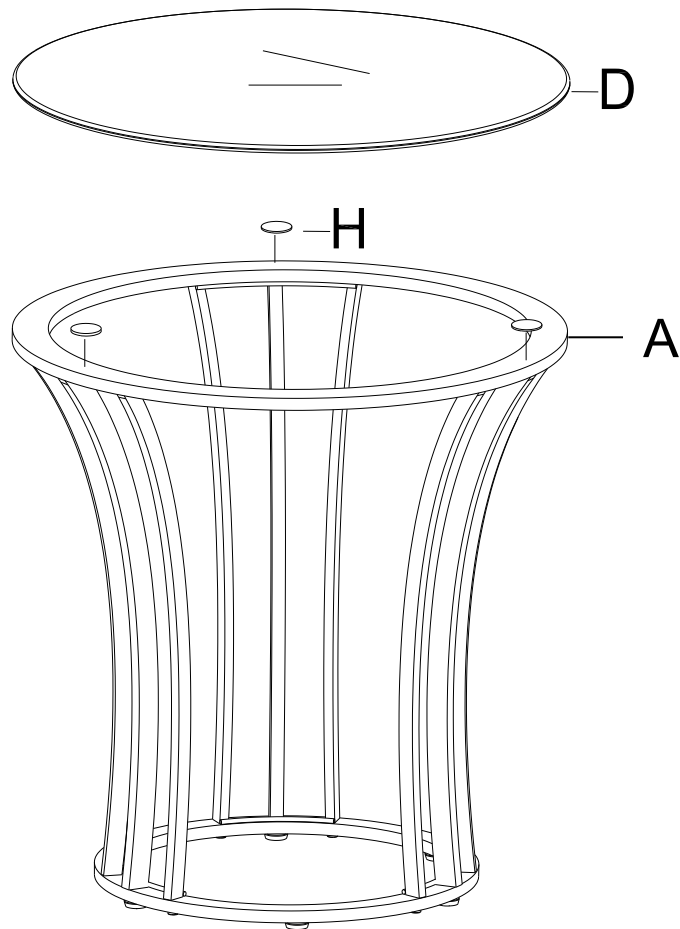


2

Attach the Bottom Frame (C) to the Leg (B) using Bolt (F) with Allen Wrench (I). Then insert Leveler (G) into the Bottom Frame (C) as shown.



- 3** Stand the assembled unit upright. Place Glass Pad (H) and the Glass Top (D) on the Top Frame (A) as shown.



Cleaning & Care

Treat surfaces with care. Surfaces are resistant to scratches but are not scratch resistant. Clean surfaces with a dry or damp soft cloth. Do not use abrasive cleaners. Hardware may loosen over time. Periodically check that all connections are tight.