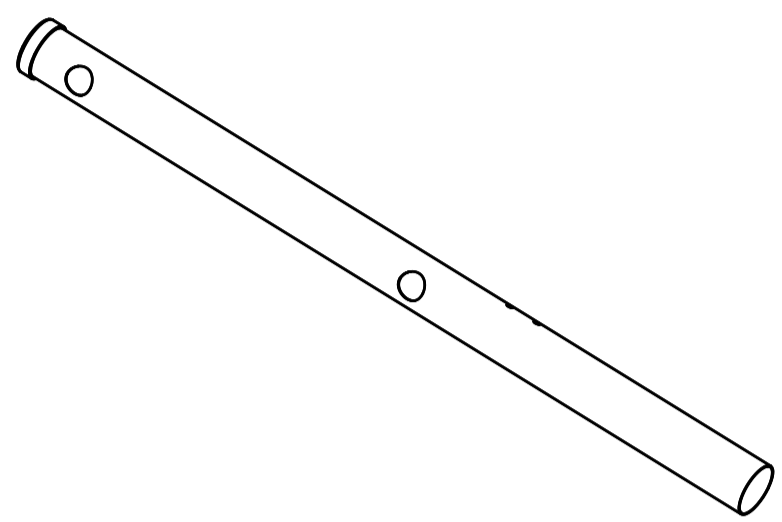


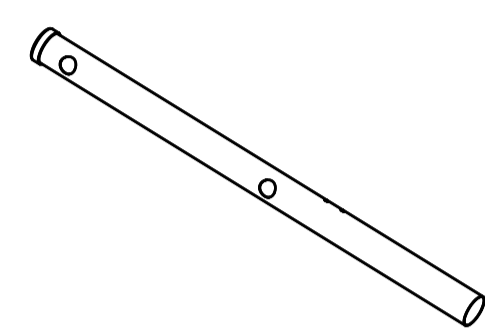
ASSEMBLY INSTRUCTION

AVERNY WHITE METAL TWIN PLATFORM BED

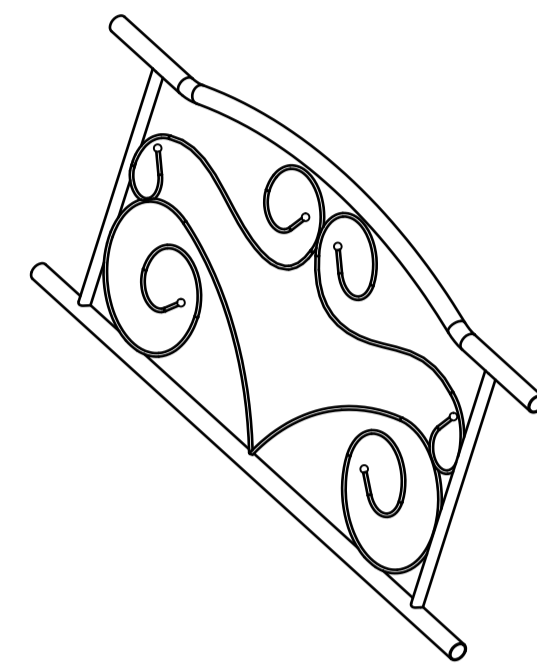
A LSF/RSF Headboard Post **B** LSF/RSF Footboard Post **C** Headboard/Footboard **D** Rail Section(1)



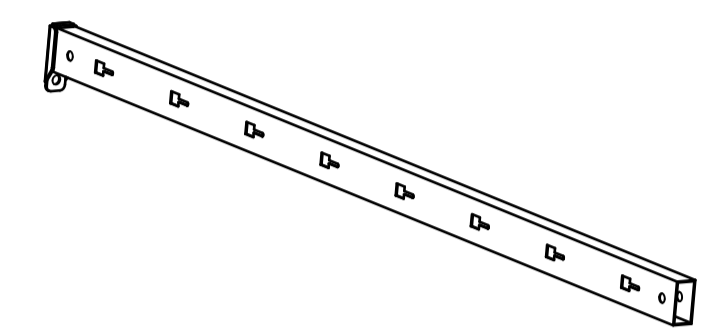
2PCS



2PCS

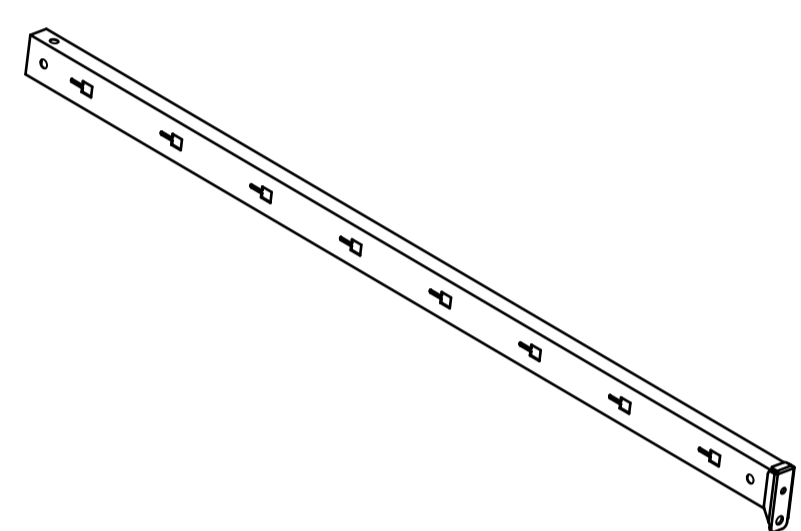


2PCS

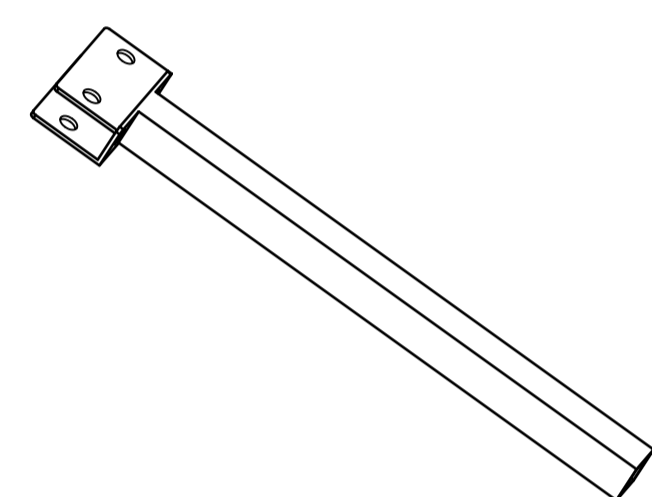


2PCS

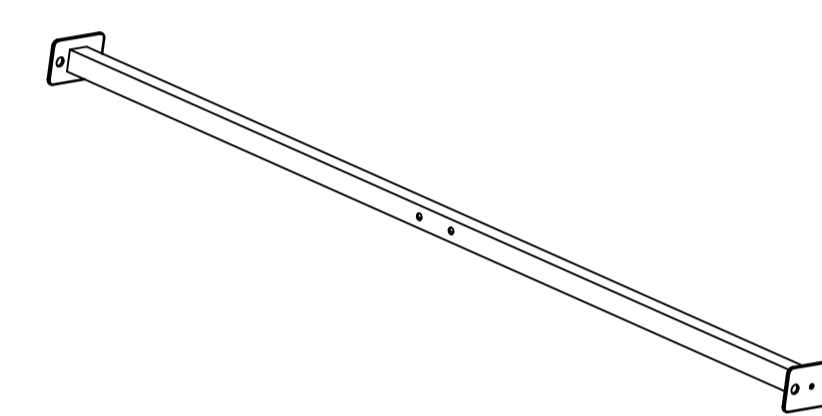
E Rail Section(2) **F** Rail Support Leg **G** Center Support Bar **H** Slat



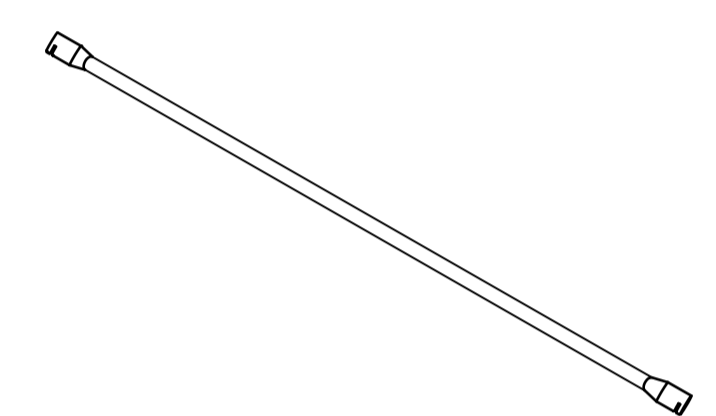
2PCS



2PCS

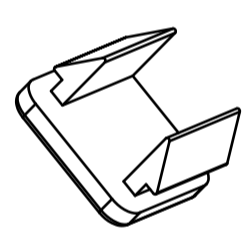


1PC

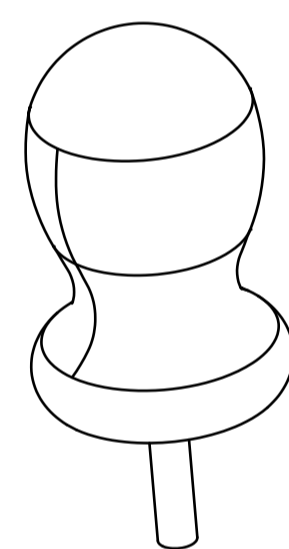


16PCS

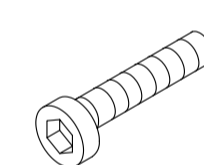
I Slat Connector **J** Finial **K** Bolt 1/4"*13mm **L** Bolt 1/4"*36mm



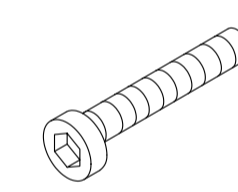
32PCS



4PCS

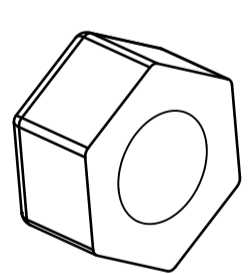


12PCS

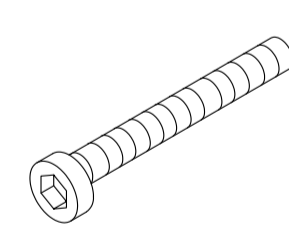


4PCS

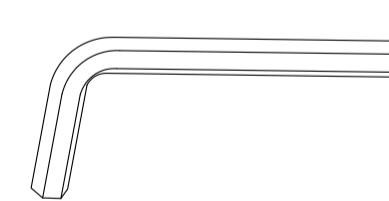
M Nut 1/4" **N** Bolt 1/4"*55mm **O** L-Allen Key 4mm **P** Wrench



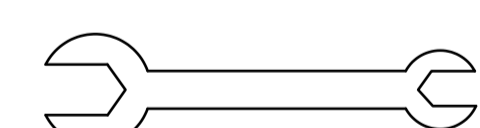
8PCS



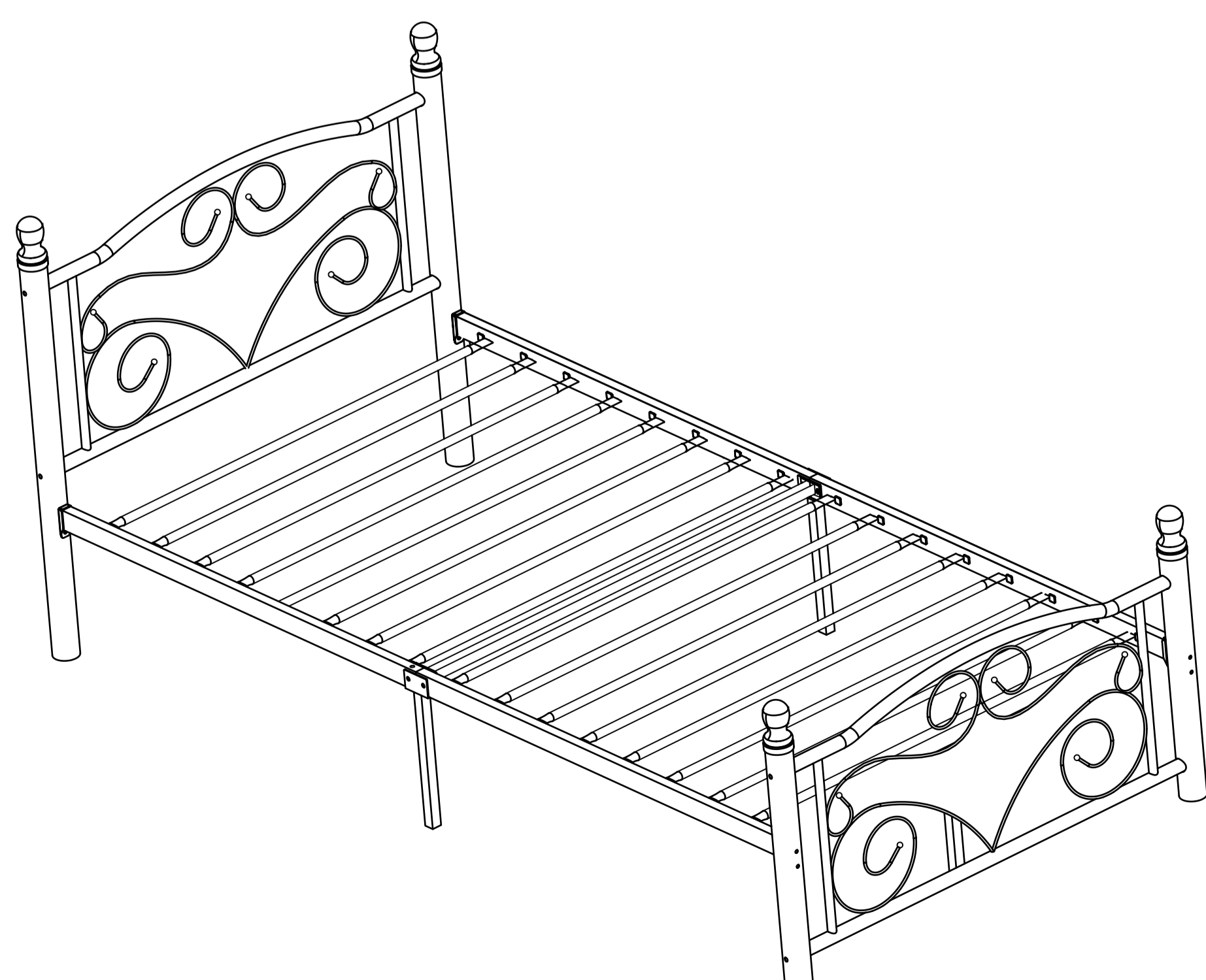
8PCS



1PC



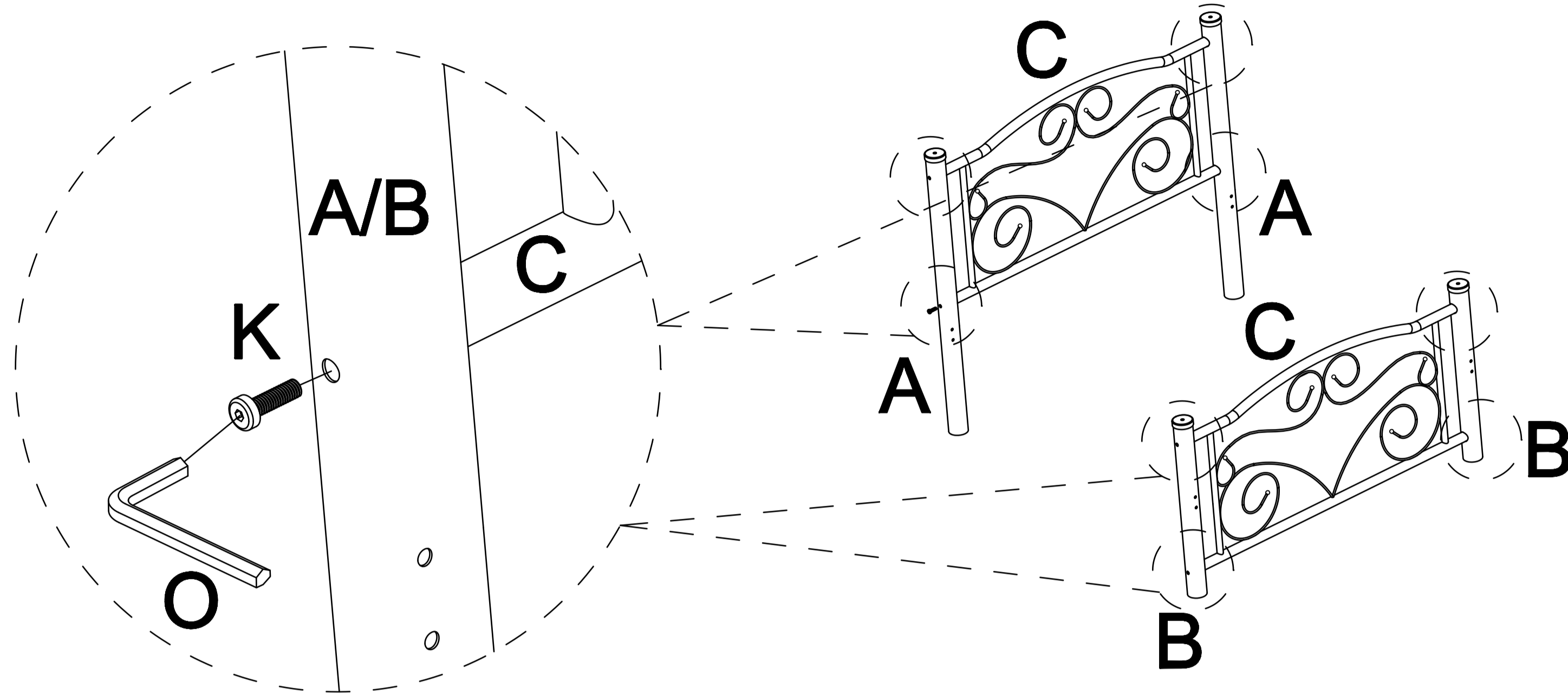
1PC



This page lists all the contents included in the box. Please take the time to identify the hardware as well as the individual components to this product. As you unpack and prepare for assembly, place the contents on a carpeted or padded area to protect them from damage.

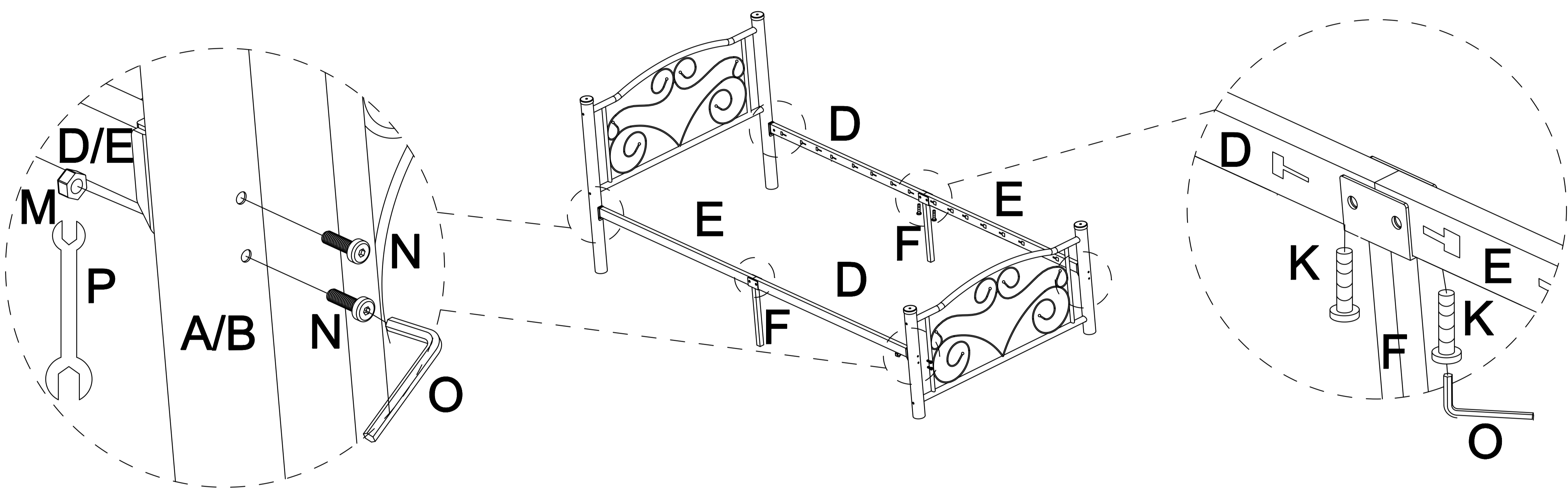
1

Align the LSF/RSF Headboard Post(A) to the Headboard/Footboard(C), insert the Bolt(K) to the holes, turn the L-Allen Key(O) to tighten them. Align the LSF/RSF Footboard Post(B) to the Headboard/Footboard(C), insert the Bolt(K) to the holes, turn the L-Allen Key(O) to tighten them.



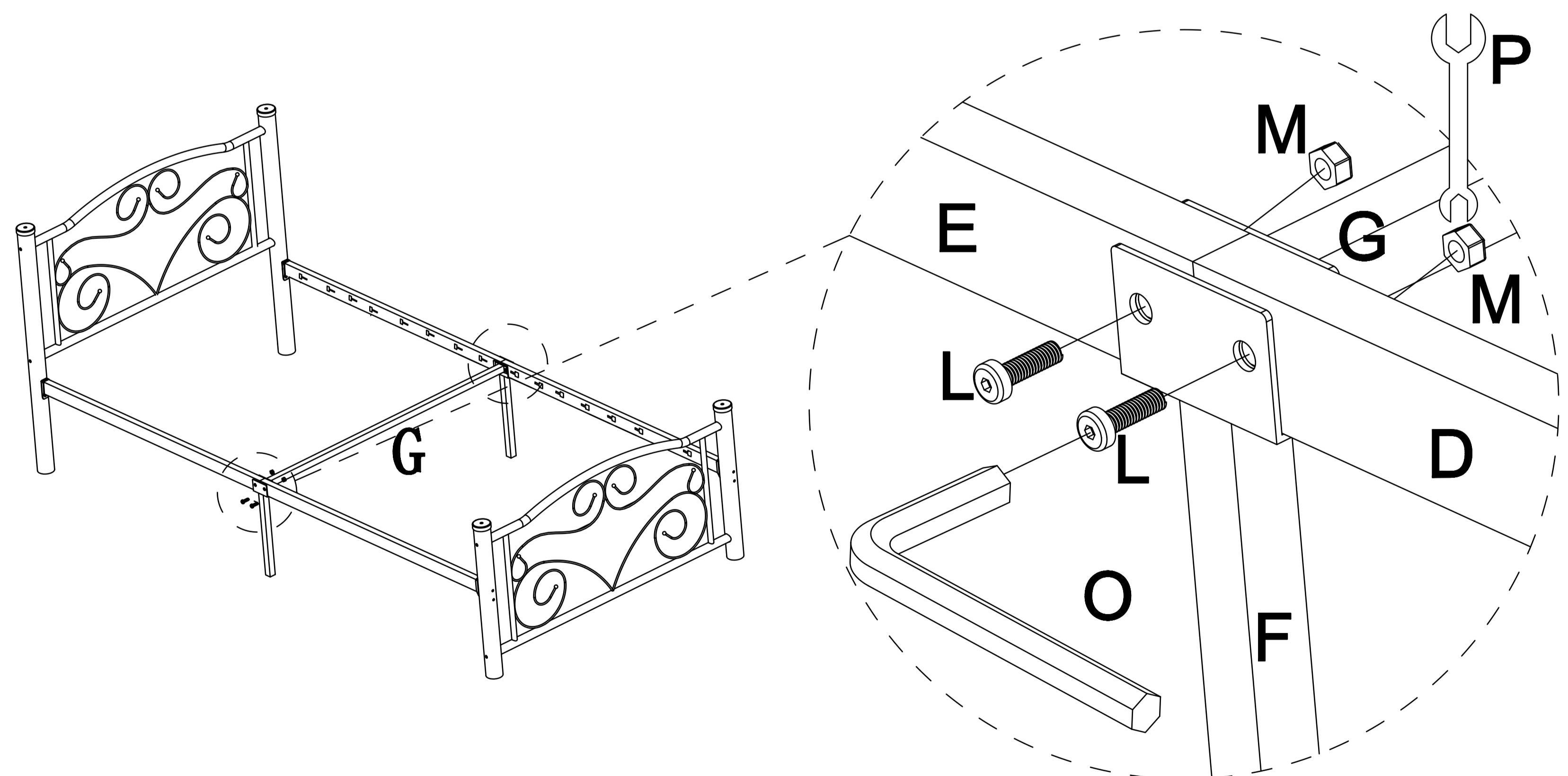
2

Attach the Rail Section(1)(D), the Rail Section(2)(E) to the Headboard/Footboard(C), insert the Bolt(N) and Nut(M), turn the L-Allen Key(O) and Wrench(P) to tighten them. Attach the Rail Support Leg(F) to the rail, insert the Bolt(K), turn the L-Allen Key(O) to tighten them.



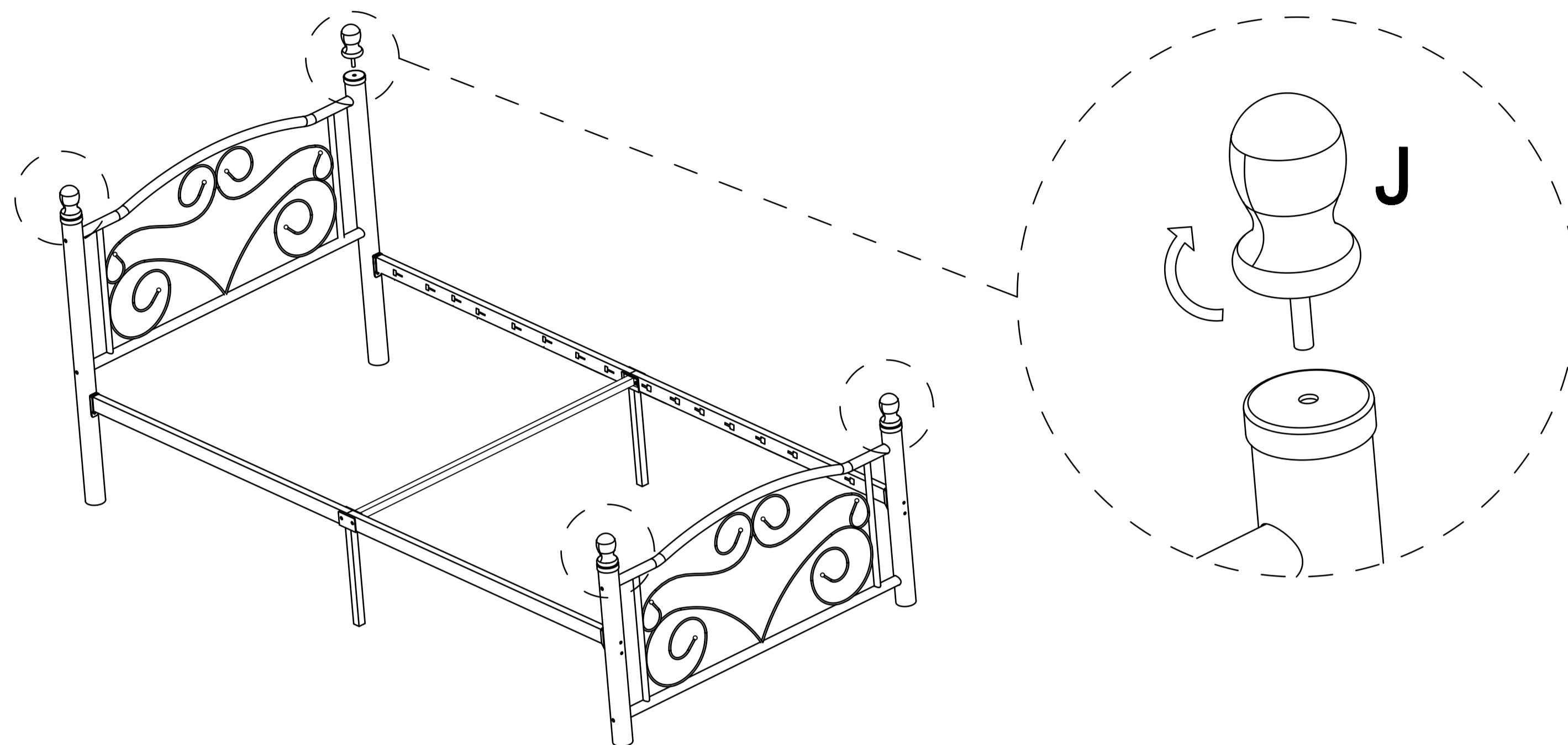
3

Attach the Center Support Bar(G) to the rail, insert the Bolt(L) and the Nut(M), turn the L-Allen Key(O) and Wrench(P) to tighten them.



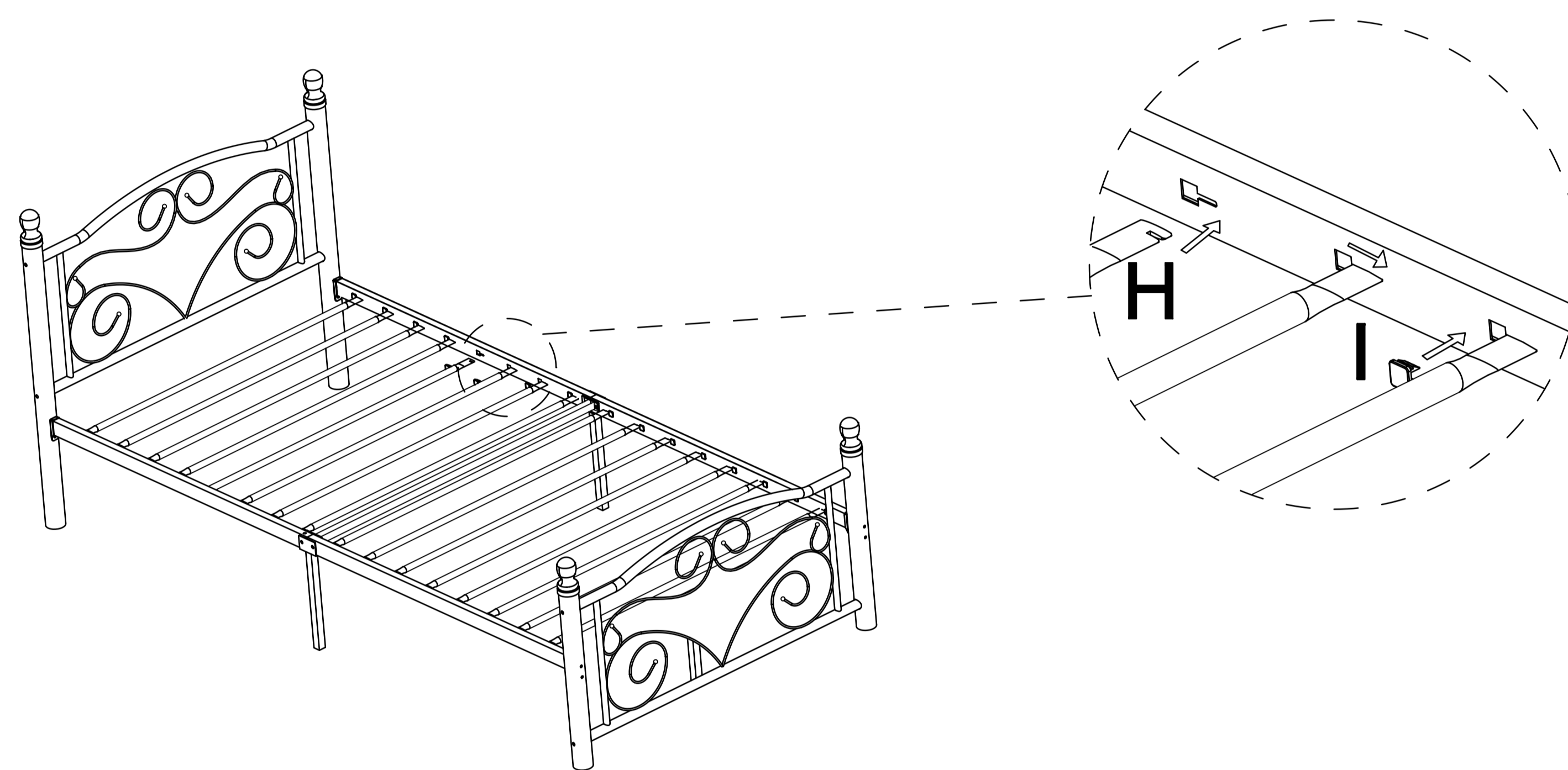
4

Attach the Finial(J) to the post, then tighten it.



5

Attach the Slat(H) and the Slat Connector(I) to the rail.



Cleaning & Care

Treat surface with care. Surface is resistant to scratches but is not scratchresistant. Clean surfaces with a dry or damp soft cloth. Do not use abrasive cleaners. Hardware may loosen over time. Periodically check that all connections are tight.