

# Engineering Specification

Job Name \_\_\_\_\_  
 Orion Representative \_\_\_\_\_  
 Quantity of Tanks \_\_\_\_\_

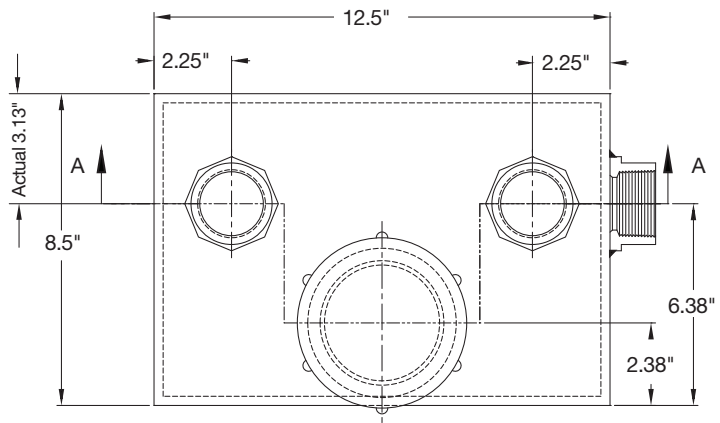
Contractor Signature \_\_\_\_\_  
 Approval Date \_\_\_\_\_  
 Contractor's P.O. No. \_\_\_\_\_

## T8 Point-Of-Use Dilution Tank

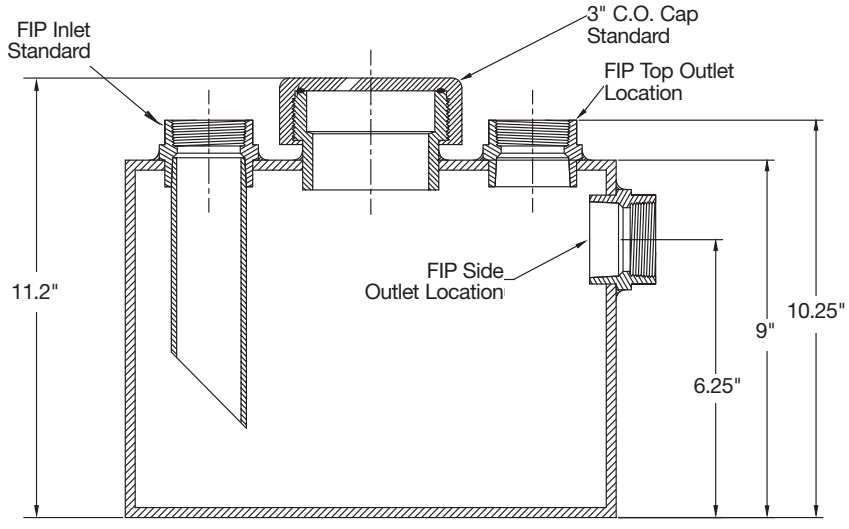
### Specification

Orion T8 POU 1.5 USG Tank shall be cubic seamless, stress and defect free, rotationally molded construction to uniform wall thickness from virgin PE resins conforming to ASTM D 1248, with **integral cover, with single FIP inlet with dip tube, with single FIP outlet, with 3" top cleanout with cap as standard.** All penetrations shall be heat fused to tank wall.

Tank Selection (Check One)		
Part No.	Description	
<input type="checkbox"/> 734000	One 1.5" FIP Top Inlet, One 1.5" FIP Top Outlet	
<input type="checkbox"/> 734003	One 2" FIP Top Inlet, One 2" FIP Top Outlet	
<input type="checkbox"/> 734001	One 1.5" FIP Top Inlet, One 1.5" FIP Side Outlet	
<input type="checkbox"/> 734002	One 2" FIP Top Inlet, One 2" FIP Side Outlet	



Note: Tanks are made to ±0.25 in. tolerance.



### NOTICE

The information contained herein is not intended to replace the full product installation and safety information available or the experience of a trained product installer. You are required to thoroughly read all installation instructions and product safety information before beginning the installation of this product.

Please verify all selections with your local Orion rep - tank products and accessory equipment are non-returnable.

Orion Fittings product specifications in U.S. customary units and metric are approximate and are provided for reference only. For precise measurements, please contact Orion Fittings Technical Service. Orion Fittings reserves the right to change or modify product design, construction, specifications, or materials without prior notice and without incurring any obligation to make such changes and modifications on Orion Fittings products previously or subsequently sold.



USA: T: (800) 334-6259 • OrionFittings.com  
 Canada: T: (888) 208-8927 • F: (905) 481-2316 • OrionFittings.ca  
 Latin America: T: (52) 55-4122-0138 • OrionFittings.com

**A WATTS Brand**