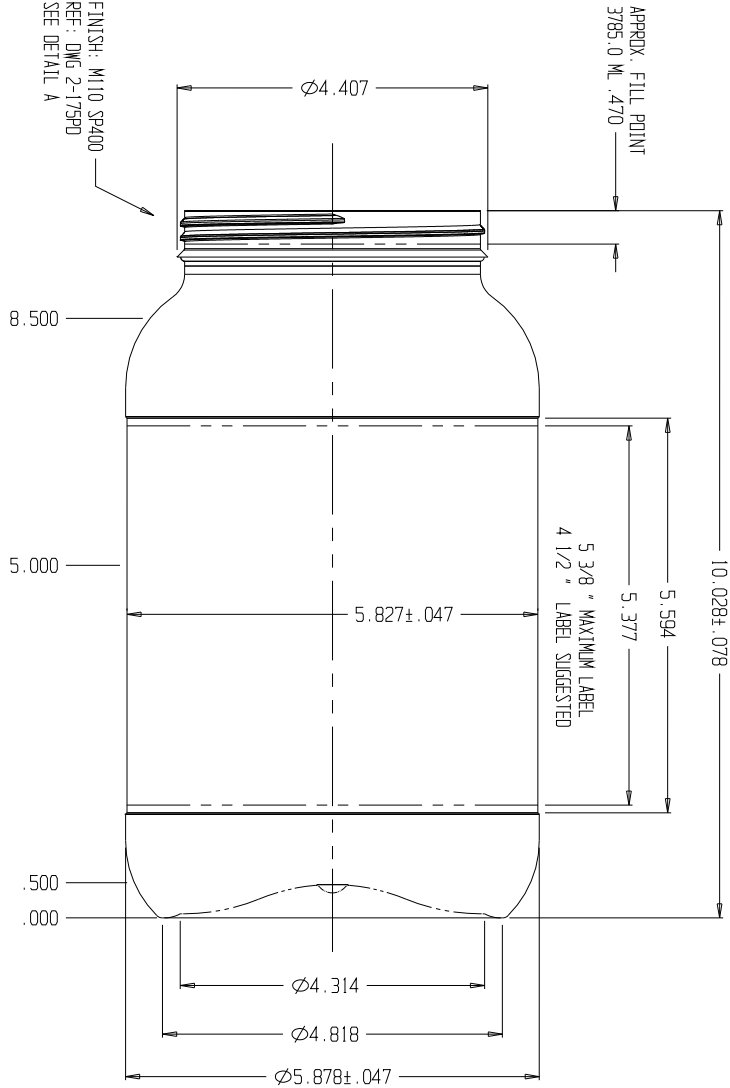
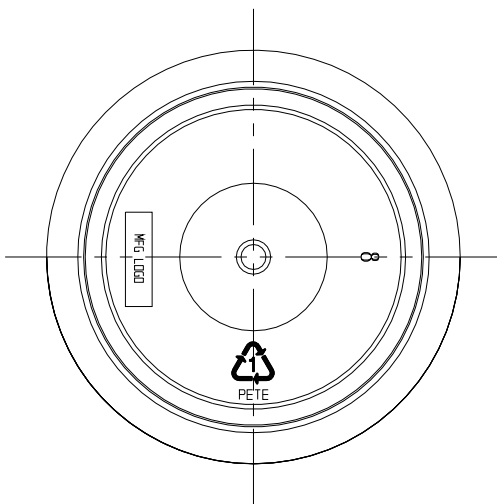
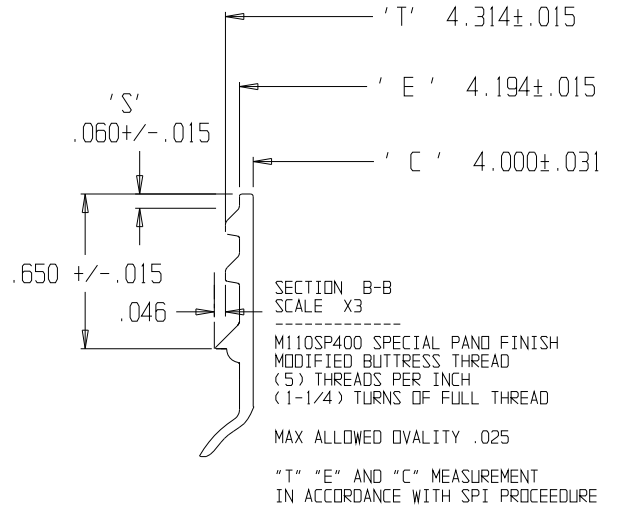


FINISH: M110 SP400
 REF: DWG 2-175PD
 SEE DETAIL A



DETAIL A



SPECIFICATIONS

OVERFLOW CAPACITY: 3876.0 +/- 40 ML
 CAPACITY AT FILL POINT: 3785.0 +/- 40 ml
 PART WEIGHT: 155 +/- 3 grams
 ABSOLUTE MIN WALL: .010
 MIN WALL AT SHOULDER: .014 @ 8.5in
 MIN WALL LABEL PANEL: .018 @ 5.0in
 MIN WALL BOTTOM RADIUS: .012 @ .50in
 MATERIAL: OPET
 MIN. TOP LOAD: 75 lbs Min @ .50 Max DEFLECTION

DISCLAIMER

THIS INFORMATION IS PROVIDED AS A GENERAL GUIDE, INCLUDING DIMENSIONS. IT IS THE CUSTOMER'S RESPONSIBILITY TO SELECT THE PROPER CONTAINER FOR PRODUCT AND APPLICATION COMPATIBILITY.

DISTRIBUTED BY:



REF NO.:

DWG31800

DESCRIPTION:

128 oz PET Wide Mouth Round Jar, 110-400